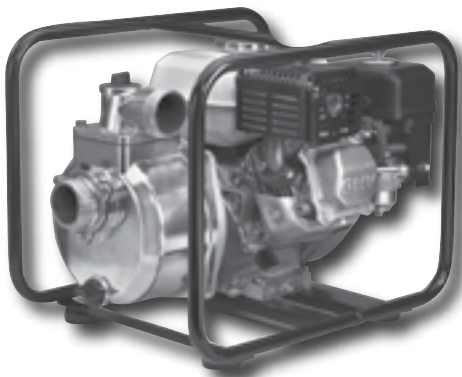
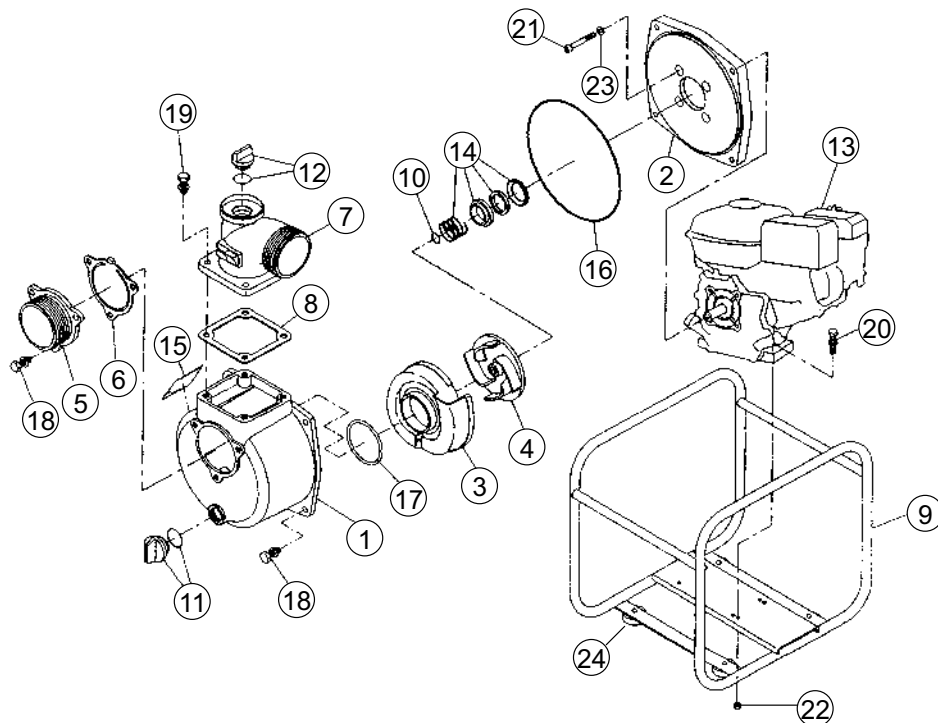


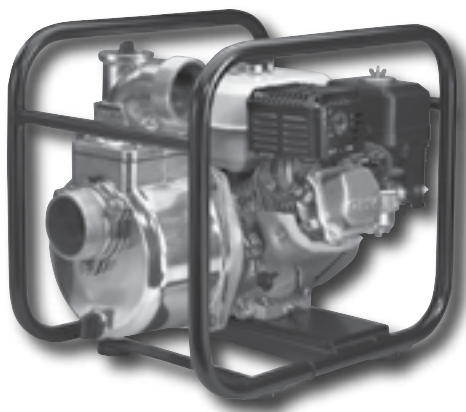
**2" CENTRIFUGAL
HONDA GX120 4.0 HP**



REF NO.	PART NO.	DESCRIPTION	QTY.
1	0112578	PUMP CASING	1
2	0112579	FLANGE BRACKET	1
3	0114640	VOLUTE CASING	1
4	0113532	IMPELLER	1
5	0112822	SUCTION FLANGE	1
6	0112665	CHECK VALVE	1
7	0111359	DELIVERY FLANGE	1
8	0110541	DELIVERY FLANGE GASKET	1
9	0117158	FRAME	1
10	0110466	ADJUSTING WASHER	3
11	0118078	20 A PLUG SET	2
12		ENGINE	1
13	0110688	MECHANICAL SEAL	1
14		NAME PLATE	1
15	0115014	O-RING 1517-43	1
16	0112792	O-RING P54	1
17	743119046	HEX BOLT M8 x 22	4
18	743119047	HEX BOLT M8 x 25	4
19	743119045	HEX BOLT M8 x 20	3
20	743119051	HEX BOLT M8 x 35	4
21	734532076	HEX SOCKET BOLT M8 x 60	4
22	827419008	HEX NUT M8	4
23	854255008	SEAL WASHER M8	4
24	0110515	RUBBER FOOT	4



3" CENTRIFUGAL HONDA GX160 5.5 HP



REF NO.	PART NO.	DESCRIPTION	QTY.
1	0112795	PUMP CASING	1
2	0112796	FLANGE BRACKET	1
3	0113176	VOLUTE CASING	1
4	0110532	IMPELLER	1
5	0112876	SUCTION FLANGE	1
6	0112799	CHECK VALVE	1
7	0111361	DELIVERY FLANGE	1
8	0110584	DELIVERY FLANGE GASKET	1
9	0117156	FRAME	1
10	0110491	ADJUSTING WASHER	3
11	0118078	20 A PLUG SET	1
12	0118079	25 A PLUG SET	1
13		ENGINE	1
14	0110664	MECHANICAL SEAL	1
15		NAME PLATE	1
16	0115015	O-RING 1517-46.5	1
17	0113989	O-RING P74	1
18	743119061	HEX BOLT M10 x 25	4
19	743119063	HEX BOLT M10 x 30	4
20	743119053	HEX BOLT M8 x 40	4
21	734532076	HEX SOCKET BOLT M8 x 60	4
22	827419008	HEX NUT M8	4
23	854255008	SEAL WASHER M8	4
24	0110515	RUBBER MOUNT	4