

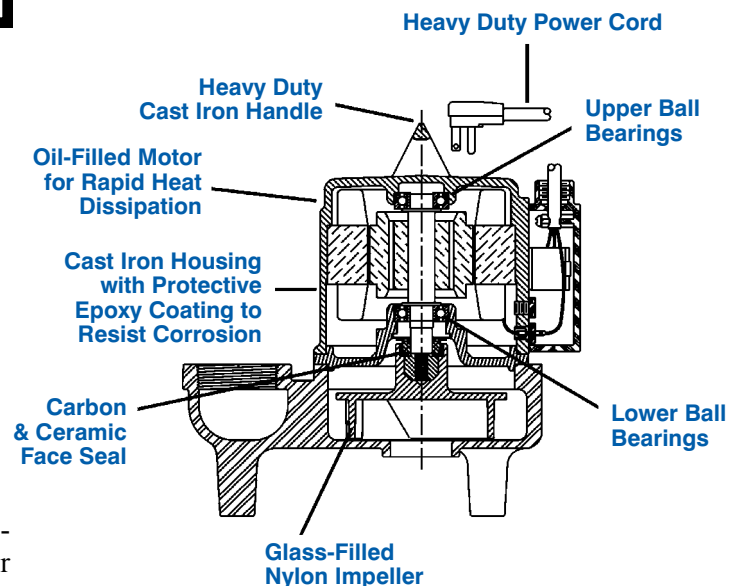
Little GIANT®

10SH SERIES



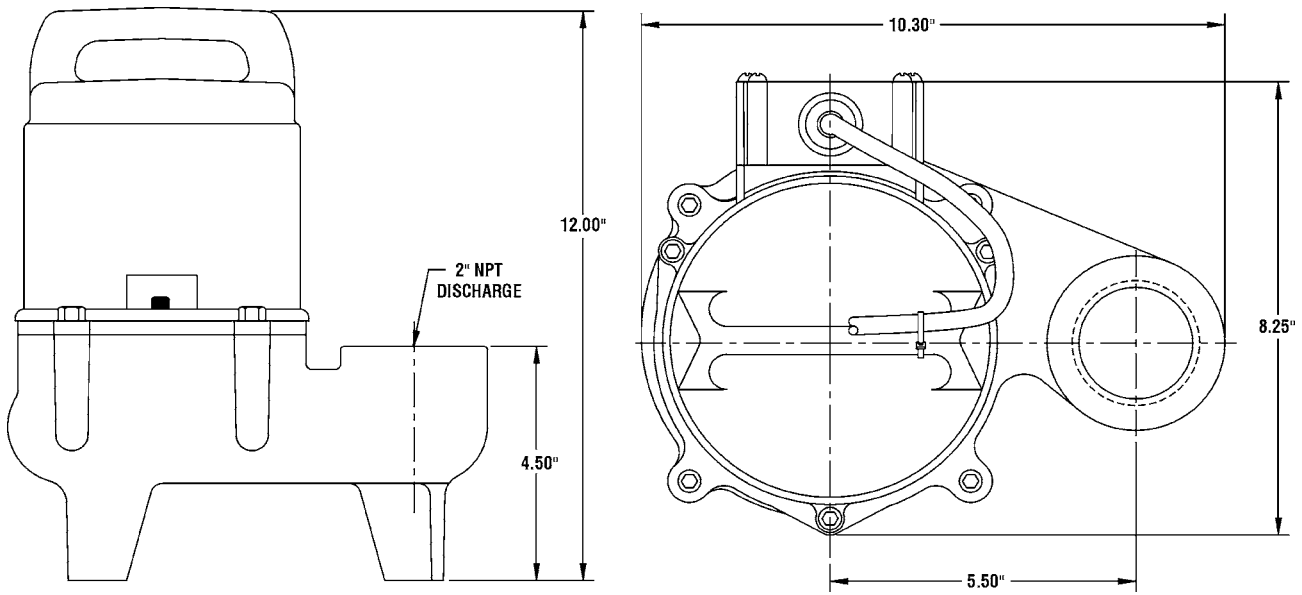
Features

- Handles liquids and solid waste materials up to 1-1/4" diameter
- Cast iron pump housing and volute with protective epoxy coating for corrosion and rust resistance
- Oil-filled motor housing for lifetime lubrication and rapid heat dissipation
- Stainless steel fasteners
- Mechanical seals (stainless steel spring, nitrile parts, carbon and ceramic faces)
- Thermal overload protection
- Manual and Automatic models
- Automatic operation has 9" to 14" "On" level and 2" to 6" "Off" level range with piggyback mechanical float switch
- All models are UL/CSA listed



For increased pumping rates and higher head requirements, the Model 10SH Series Wastewater pumps offer greater head capacities than the 10S Series. Pumps feature a 2" discharge, with a lift of 28'. Cast iron housing and volute have a protective epoxy coating.

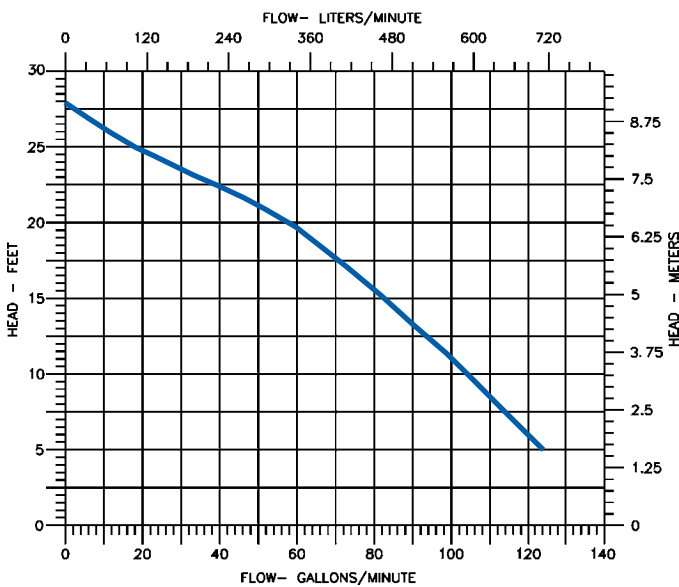
10SH SERIES



Specifications

MODEL NO.	ITEM NO.	LISTING	HP	VOLTS	SOLIDS SIZE (dia. in.)	RUNNING AMPS/WATTS	PERFORMANCE (GPM @ HEAD)				SHUTOFF (ft.)	P.S.I.	PWR. CRD. (ft.)	WEIGHT (lbs.)	DIMENSIONS (H x L x W in.)
							10'	15'	20'	25'					
10SH-CIM	511420	UL/CSA	1/2	115	1-1/4	11/900	100	80	55	20	28	12.1	15	44	12.00 x 10.3 x 8.25
10SH-CIM	511480	UL/CSA	1/2	208-240	1-1/4	5.5/900	100	80	55	20	28	12.1	15	41.5	12.00 x 10.3 x 8.25
10SH-CIA-RFS	511520	UL/CSA	1/2	115	1-1/4	11/900	100	80	55	20	28	12.1	15	41.5	12.00 x 10.3 x 8.25
10SH-CIA-RFS	511525	UL/CSA	1/2	115	1-1/4	11/900	100	80	55	20	28	12.1	25	46	12.00 x 10.3 x 8.25

10SH SERIES PUMP PERFORMANCE CURVE



Construction

Motor Housing	Epoxy-coated cast iron
Impeller Material	Glass-filled nylon
Impeller Type	Volute
Volute	Epoxy-coated cast iron
Power Cord	SJT/W/A
Mechanical Shaft Seal	Nitrile with carbon & ceramic faces
Fasteners	Stainless steel
Shaft	Steel
Bearings	Upper & lower ball bearings