

Little GIANT®

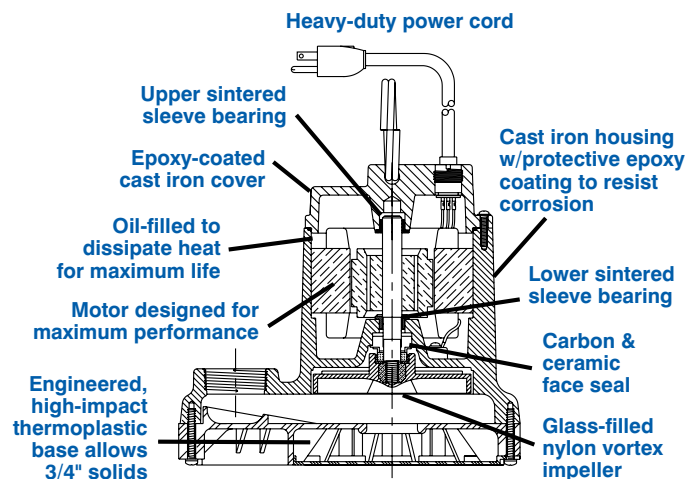
8E SERIES



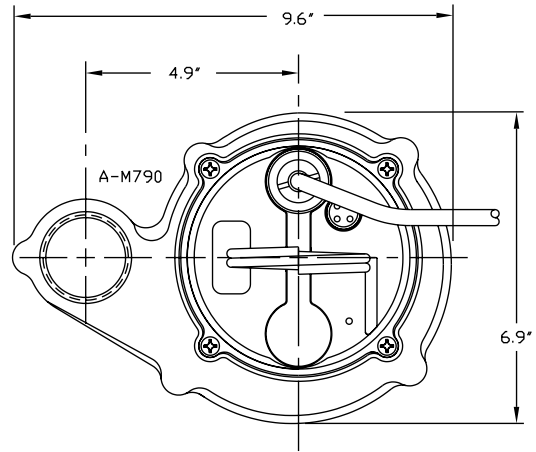
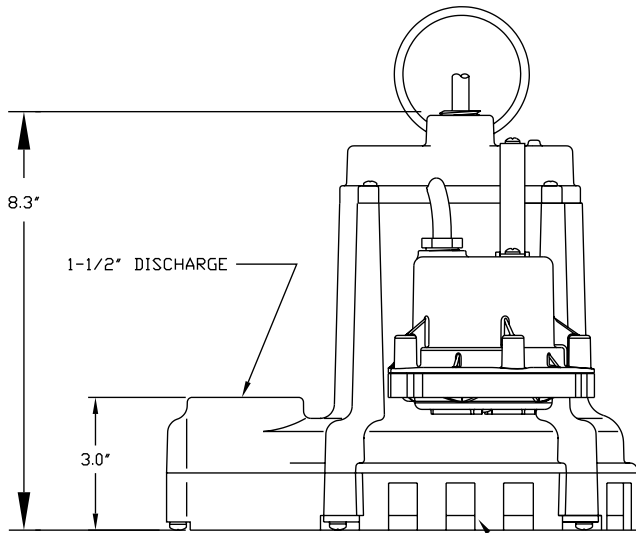
Features

- Handles liquids and solid waste materials up to 3/4" diameter
- Cast iron pump housing and cover with protective epoxy coating for corrosion resistance
- Oil-filled motor housing for lifetime lubrication and rapid heat dissipation
- Stainless steel fasteners
- Mechanical seals (stainless steel spring, nitrile parts, Carbon and ceramic faces)
- Bearings: Upper and lower sintered sleeve
- Thermal overload protection
- Manual and Automatic models
- Automatic operation has 9" to 14" "On" level and 2" to 6" "Off" level range
- All 115 volt models are UL/CSA listed

The Model 8E Series de-watering and effluent pumps are for residential and light commercial use. Pumps feature a 1-1/2" FNPT discharge with a lift of 21' and ABS base.



8E SERIES



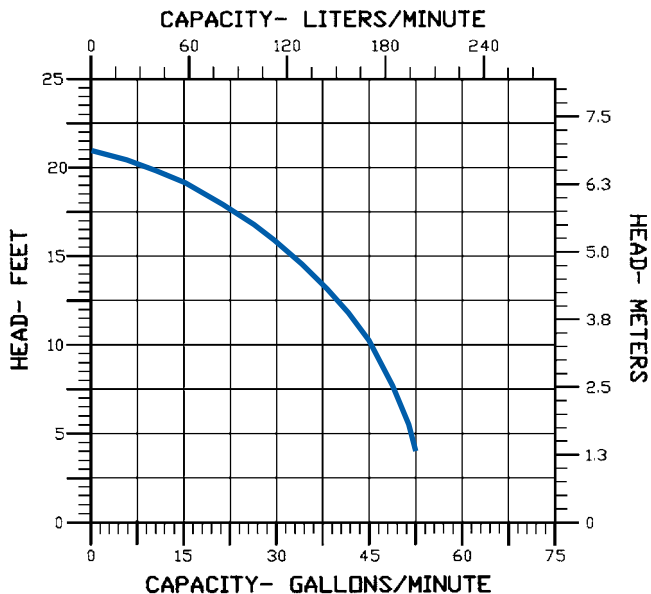
SCREEN TO PASS 3/4" SOLIDS

Specifications

Model No.	Item No.	Listing	HP	Volts	Solids Size (dia. in.)	Running Amps/Watts	Performance (GPM@Head)				Shutoff		Cord Length (ft.)	Weight (lbs.)	Dimensions H x L x W (in.)
							5'	10'	15'	20'	Ft.	P.S.I.			
8E-CIM	509000	UL/CSA	1/3	115	3/4	11/900	52	45	33	—	21	9.1	10	24	8.25 x 9.6 x 6.9
8E-CIA-RFS	509100	UL/CSA	1/3	115	3/4	11/900	52	45	33	—	21	9.1	10	25	8.25 x 9.6 x 6.9
8E-CIM	509050	UL	1/3	230	3/4	6/900	52	45	33	—	21	9.1	12	23	8.25 x 9.6 x 6.9
8E-CIM	509005	UL/CSA	1/3	115	3/4	11/900	52	45	33	—	21	9.1	15	24	8.25 x 9.6 x 6.9
8E-CIA-RFS	509105	UL/CSA	1/3	115	3/4	11/900	52	45	33	—	21	9.1	15	26	8.25 x 9.6 x 6.9
8E-CIA-RFS	509120	UL/CSA	1/3	115	3/4	11/900	52	45	33	—	21	9.1	20	26	8.25 x 9.6 x 6.9
8E-CIM	509125	UL/CSA	1/3	115	3/4	11/900	52	45	33	—	21	9.1	25	25	8.25 x 9.6 x 6.9

All models are 60 Hz.

8E SERIES PUMP PERFORMANCE CURVE



Construction

Motor Housing	Epoxy-coated cast iron
Impeller Material	Nylon
Impeller Type	Vortex
Volute	Epoxy-coated cast iron
Power Cord	SJTW-A
Mechanical Shaft Seal	Nitrile with carbon & ceramic faces
Fasteners	Stainless steel
Shaft	Cold rolled steel
Bearings	Upper and lower sintered sleeve bearings