

**Model 8518000 includes the following**

Item	Part #	Qty.	Description
1	8518001	1	12" to 29" Variable Offset Mast
2	8518002	1	UCL Advanced 33" Lower Mast
3	8518005	1	UCL Advanced Base Assembly
shown but not included			
4	8516824	1	Quick Mount Bracket
5		1	Digital Winch
6		1	UCL Cable Assembly

**DESCRIPTION**

The Model 18000 Advanced Breakdown Hoist System is designed for manhole and confined space entry / retrieval applications. Modular design allows use of components in various configurations and applications. Multiple winches and/or lifeline systems may be mounted as required. Tool-less design breaks the system into lightweight, manageable components for storage, transport and setup. The model 18000 features UCL's new Advanced Variable Offset Mast to further increase adjustability and setup options.

**General Specifications:**

Rated Capacity (Working Load Limit) 450 lb.(204 Kg.) working load @ minimum 4:1 safety factor

**PROOF LOAD RATINGS**

Anchor points

A) Standard  
 Pin Position 1 & 2 5000 lb. (22 kN)  
 Pin Position 3 3600 lb. (16 kN)  
 Pin Position 4 3000 lb. (13 kN)

B) Optional 5000 lb (22 kN)

Winch / S.R.L. Mount Positions

A) Rear Mount  
 Pin Position 1 & 2 5000 lb. (22 kN)  
 Pin Position 3 3600 lb. (16 kN)  
 Pin Position 4 3000 lb. (13 kN)

B) Front Mount  
 Pin Position 1 & 2 2500 lb. (11 kN)  
 Pin Position 3 & 4 1800 lb. (8 kN)

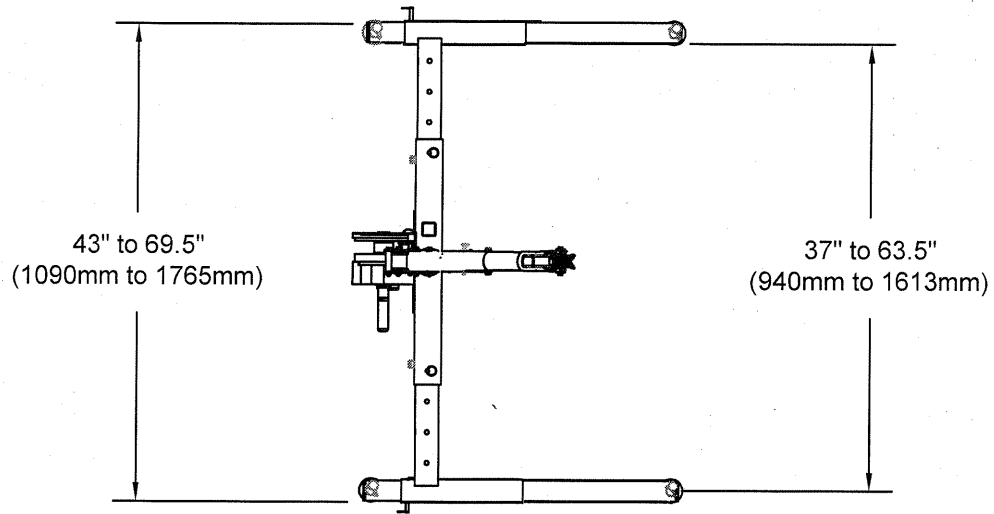
Proof Tests UCT-408, UCT-409, UCT-410  
 Weight 100.5 lb.(45.7 Kg.)

**Materials & Construction:**

General Construction Welded Aluminum  
 Weld Certification CWB-47.2  
 Hardware Gr.5, CS 500  
 Material  
 Structure 6061-T6, 5052-H32, 7075-T6  
 Aluminum, Mild Steel, Black Acetal,  
 Block Anchor 304 Stainless Steel  
 Finish Florescent Green powder coat

**Application Restrictions:**

1. UCL Advanced Lower masts and mast extensions are designed to function as the same component. A maximum of two components may be combined, but must not exceed 90" (2286 mm) in height. Multiples of three or more must be reviewed and approved by Unique Concepts Ltd on an application specific basis.
2. Winches and Blocks **MAY NOT** be mounted in the front position on mast extensions. Rear mounting is allowed at any point.
3. All winch and block mounting parts and hardware **MUST BE** supplied or approved by Unique Concepts Ltd.
4. Retractable devices or shock absorbers **MUST BE** installed and used in accordance with the manufacturer's instructions.
5. Masts **MUST BE** used with bases or sleeves approved for use with the applicable mast offset.
6. Upper masts **MUST BE** used with an appropriately sized lower mast.
7. Where required by regulation, each installation **MUST BE** approved to all applicable standards by a qualified engineer.
8. All equipment **MUST BE** set up and operated under the supervision of a competent person according to the manufacturer's instructions.



Please refer to Model 18001 Advanced 12" to 29" Variable Offset Mast specification sheets and / or operators manual for complete technical and instructional material.

