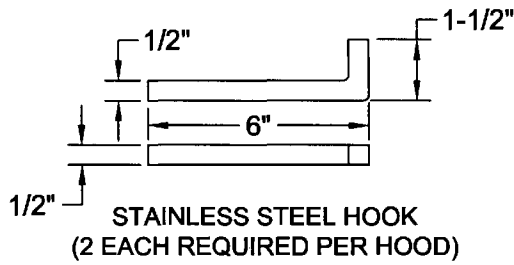


CAST IRON HOOD

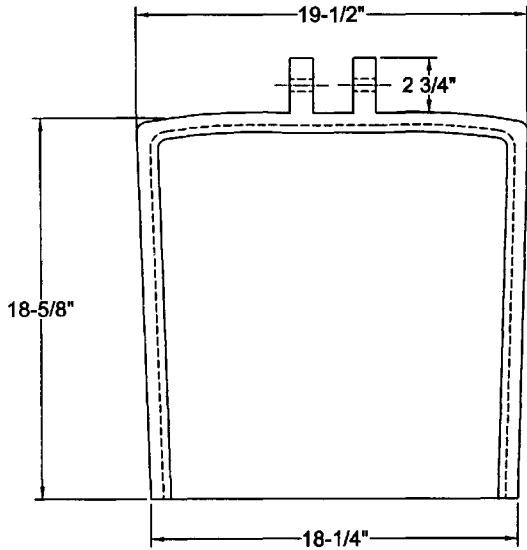


STAINLESS STEEL HOOK
(2 EACH REQUIRED PER HOOD)

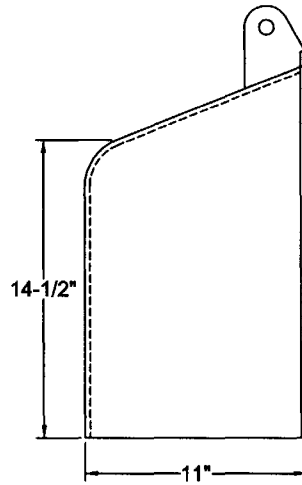
| ITEM NUMBER | DIMENSIONS IN INCHES | | | PIPE SIZE |
|-------------|----------------------|----|-------|-----------|
| | A | B | C | |
| 22561 | 10 | 16 | 5 | 6" & 8" |
| 22563 | 15-3/4 | 26 | 7-1/4 | 10" & 12" |
| 22564 | 18 | 27 | 9 | 12" & 15" |
| 22565 | 20 | 27 | 10 | 18" |

NOTE: TWO STAINLESS STEEL HOOKS ARE REQUIRED FOR INSTALLATION OF EACH HOOD.

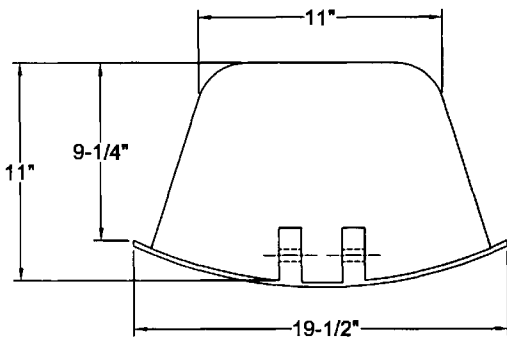
CATCH BASIN HOODS



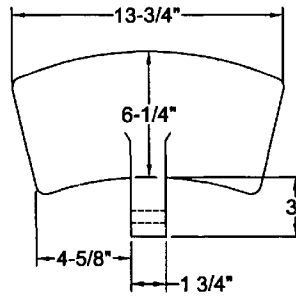
FRONT VIEW



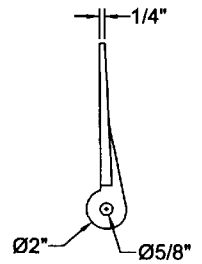
SIDE VIEW



TOP VIEW



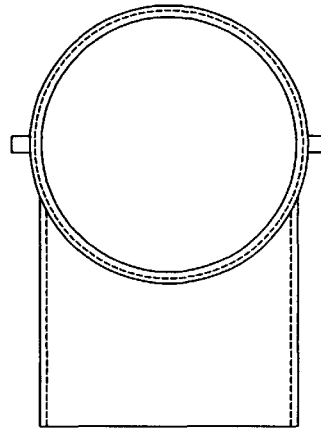
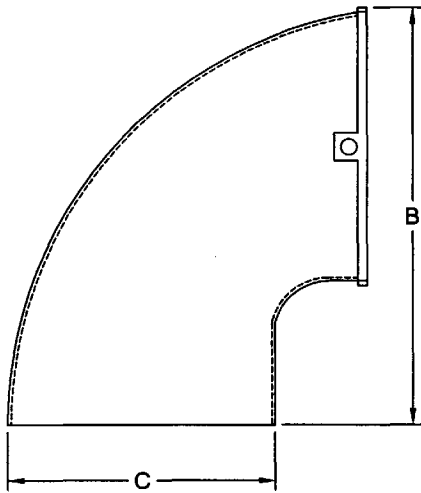
VIEW OF FLAP



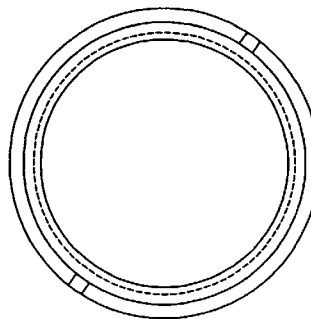
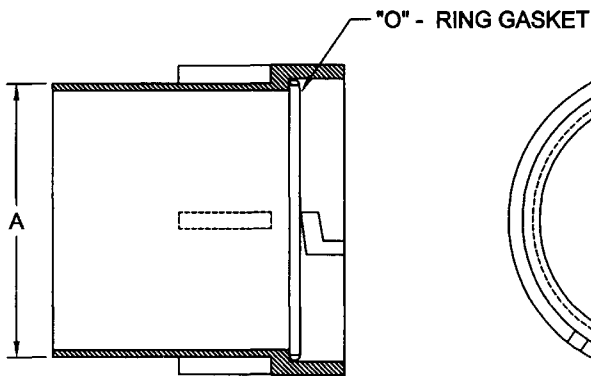
SIDE VIEW OF FLAP

CATCH BASIN HOOD

ITEM NUMBER MATRP



ELBOW



COLLAR

| ITEM NUMBER | DIMENSIONS IN INCHES | | | PIPE SIZE |
|-------------|----------------------|--------|--------|-----------|
| | A | B | C | |
| OGT08 | 7-1/4 | 14 | 7-1/4 | 8 |
| OGT12 | 11-1/4 | 18 | 11-1/4 | 12 |
| OGT15 | 14-1/4 | 22-1/2 | 14-1/4 | 15 |
| | | | | |

OIL & GREASE TRAP