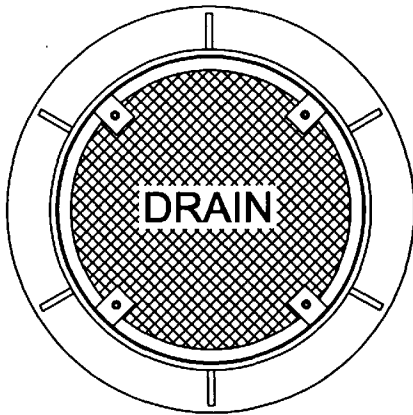


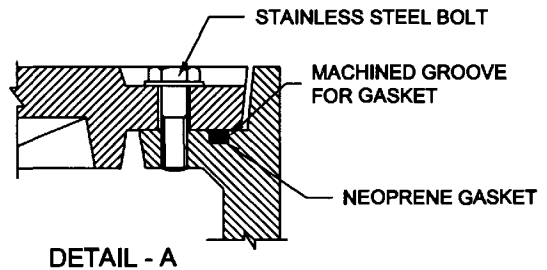
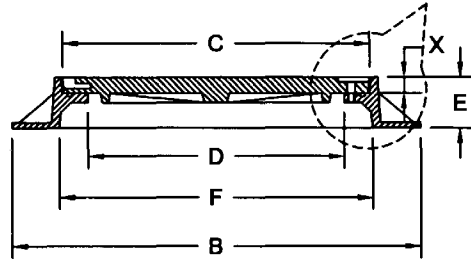
ITEM NUMBER	DIMENSIONS IN INCHES					
	B	C	D	E	F	X
12439	28	23-3/4	22	3	24	1
13039	36	29-3/4	27-3/4	3	30	1

- NOTE: 1.) ITEM 12439 IS ALSO AVAILABLE WITH SEPTIC MARKING ON THE COVER.
 2.) BOLTING LUGS REDUCE EFFECTIVE CLEAR OPENING (DIMENSION D). IF "D" DIMENSION IS CRITICAL, SELECT LARGER SIZE.

LIGHT DUTY LOCKING W/T FRAMES & COVERS



SEE DETAIL - A

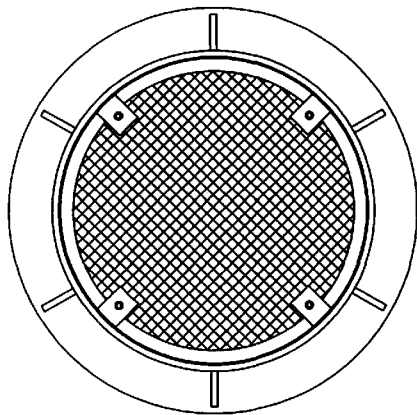


ITEM NUMBER	DIMENSIONS IN INCHES					
	B	C	D	E	F	X
12446D	32	24	22-3/8	4	24-1/4	1-3/8
12466D	34	24	22-3/8	6	24	1-3/8
12486D	34	24	22-3/8	8	24-5/8	1-3/8
13266D	39	31-5/8	30	6	32-1/2	1-3/4
13286D	39	31-5/8	30	8	32-1/2	1-3/4

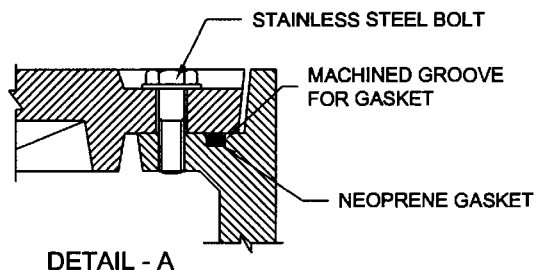
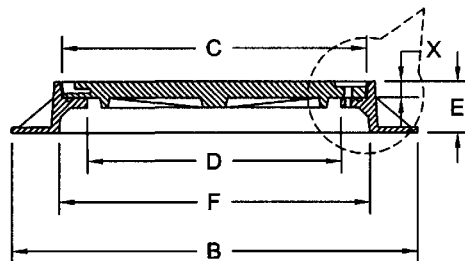
NOTE: BOLTING LUGS REDUCE EFFECTIVE CLEAR OPENING (DIMENSION D). IF "D" DIMENSION IS CRITICAL, SELECT LARGER SIZE.

HEAVY DUTY LOCKING W/T FRAMES & COVERS

SUITABLE FOR A.A.S.H.T.O. H 20-44 AND HS 20-44 HIGHWAY LOADING.



SEE DETAIL - A



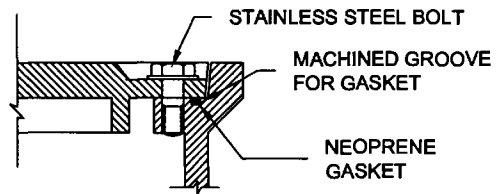
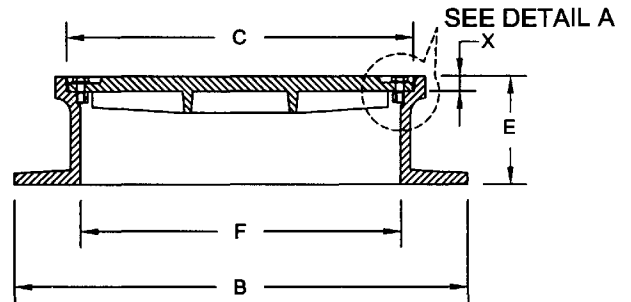
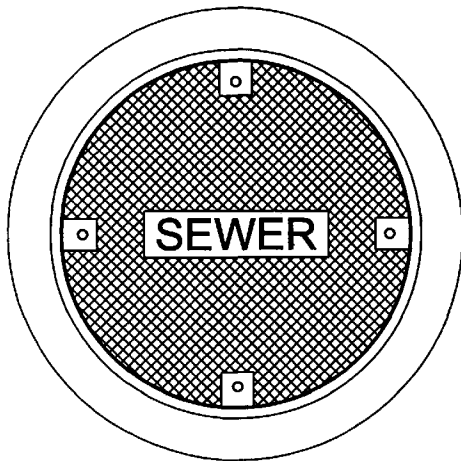
ITEM NUMBER	DIMENSIONS IN INCHES					
	B	C	D	E	F	X
12446	32	24	22-3/8	4	24-1/4	1-3/8
12466	34	24	22-3/8	6	24	1-3/8
12486	34	24	22-3/8	8	24-5/8	1-3/8
12686	34-1/2	25-3/4	24	8	27	1-3/8
13266	39	31-5/8	30	6	32-1/2	1-3/4
13286	39	31-5/8	30	8	32-1/2	1-3/4

NOTE: 1.) FRAME SHOWN WITH PLAIN COVER. ALL ITEMS ARE ALSO AVAILABLE WITH SEWER MARKING.

2.) BOLTING LUGS REDUCE EFFECTIVE CLEAR OPENING (DIMENSION D). IF "D" DIMENSION IS CRITICAL, SELECT LARGER SIZE.

HEAVY DUTY LOCKING W/T FRAMES & COVERS

SUITABLE FOR A.A.S.H.T.O. H 20-44 AND HS 20-44 HIGHWAY LOADING.



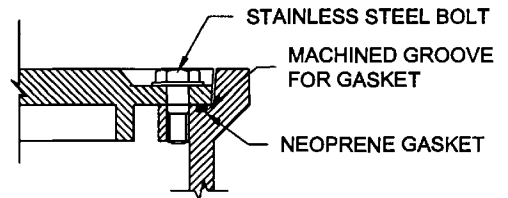
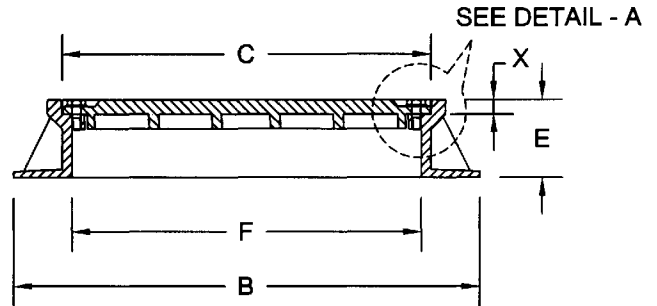
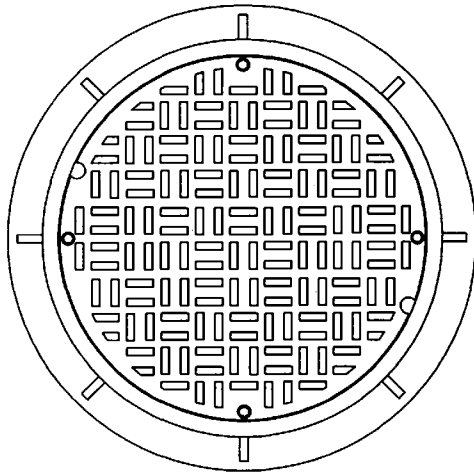
DETAIL - A

ITEM NUMBER	DIMENSIONS IN INCHES				
	B	C	E	F	X
12689	34	26	8-1/8	24	1-1/8

- NOTE: 1.) FRAME SHOWN WITH SEWER COVER, ALSO AVAILABLE WITH PLAIN COVER.
- 2.) BOLTING LUGS REDUCE EFFECTIVE CLEAR OPENING (DIMENSION D). IF "D" DIMENSION IS CRITICAL, SELECT LARGER SIZE.

HEAVY DUTY LOCKING W/T FRAME & COVER

SUITABLE FOR A.A.S.H.T.O. H 20-44 AND HS 20-44 HIGHWAY LOADING.



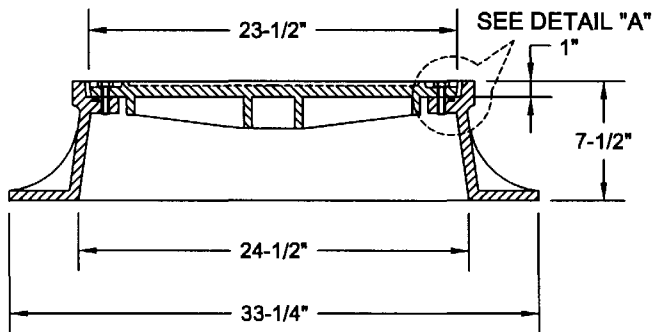
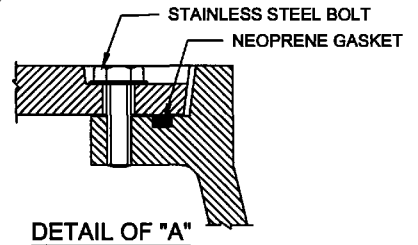
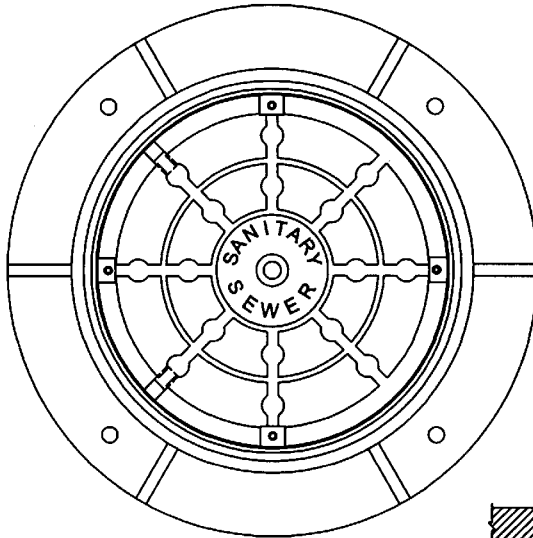
DETAIL - A

ITEM NUMBER	DIMENSIONS IN INCHES				
	B	C	E	F	X
13686	48	37-3/4	8	36	1-1/2

NOTE: BOLTING LUGS REDUCE EFFECTIVE CLEAR OPENING (DIMENSION F).
IF "F" DIMENSION IS CRITICAL, SELECT LARGER SIZE.

HEAVY DUTY LOCKING W/T FRAME & COVER

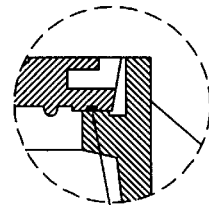
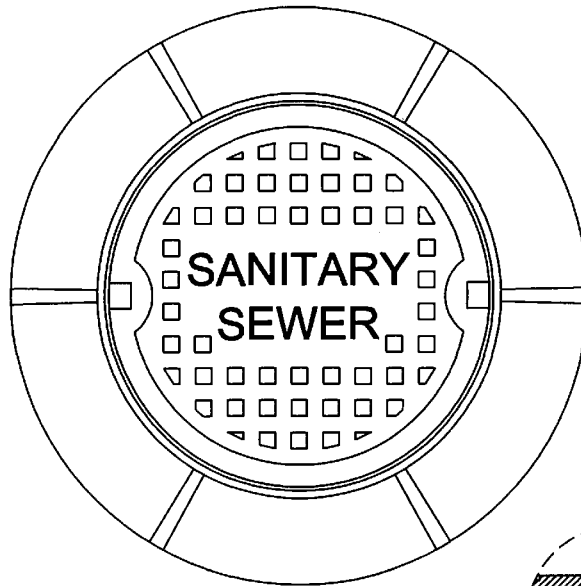
SUITABLE FOR A.A.S.H.T.O. H 20-44 AND HS 20-44 HIGHWAY LOADING.



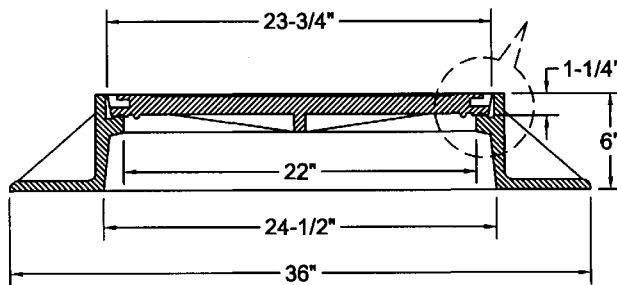
HEAVY DUTY LOCKING W/T FRAME & COVER

ITEM NUMBER 12376

SUITABLE FOR A.A.S.H.T.O. H 20-44 AND HS 20-44 HIGHWAY LOADING.



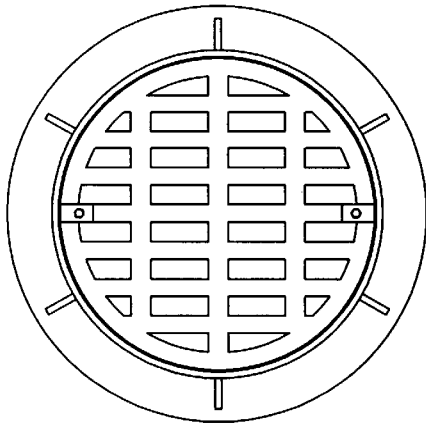
NEOPRENE
GASKET



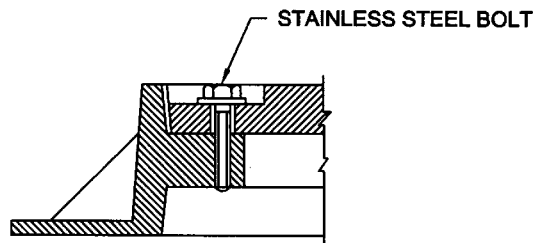
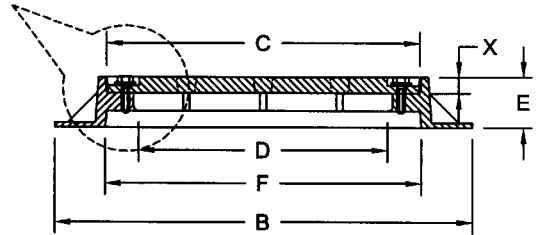
H.D. MANHOLE FRAME & SELF SEALING COVER

ITEM NUMBER 12369

SUITABLE FOR A.A.S.H.T.O. H 20-44 AND HS 20-44 HIGHWAY LOADING.



SEE DETAIL - A



DETAIL - A

ITEM NUMBER	DIMENSIONS IN INCHES					
	B	C	D	E	F	X
12447	32	24	22-3/8	4	24-1/4	1-3/8
12467	34	24	22-3/8	6	24	1-3/8
12487	34	24	22-3/8	8	25-5/8	1-3/8

NOTE: BOLTING LUGS REDUCE EFFECTIVE CLEAR OPENING (DIMENSION D).
IF "D" DIMENSION IS CRITICAL, SELECT LARGER SIZE.

HEAVY DUTY LOCKING FRAMES & GRATES

SUITABLE FOR A.A.S.H.T.O. H 20-44 AND HS 20-44 HIGHWAY LOADING.