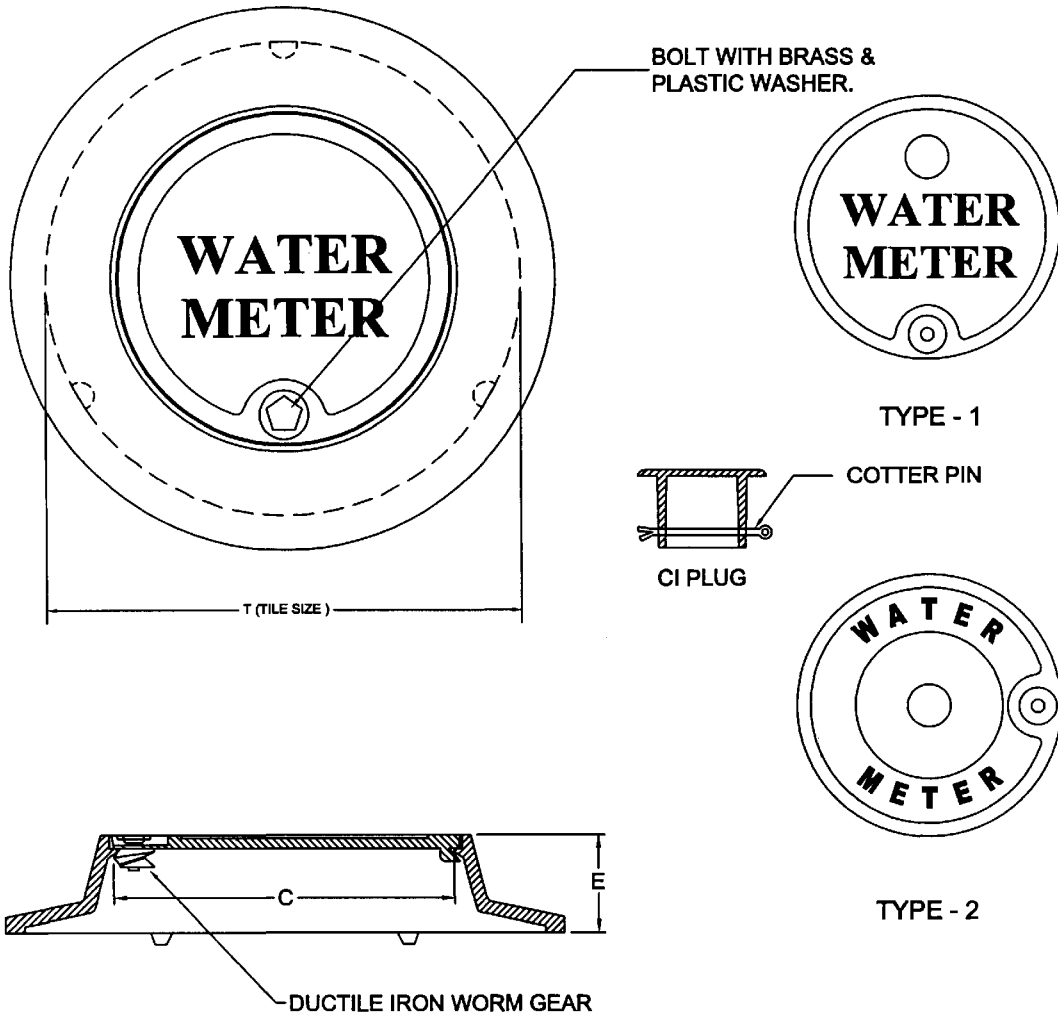


ITEM NUMBER			DIMENSIONS IN INCHES		
LIDS WITH NO HOLE	LIDS WITH HOLE		C	E	T
	TYPE-1	TYPE-2			
5C32N	5C32S	5C32C	11-1/2	4	18
5C03N	5C03S	5C03C	11-1/2	4	20
5C04N	5C04S	5C04C	11-1/2	4	21

NOTE: PENTAGON HEAD, SILICON BRONZE BOLT AVAILABLE IN 27/32" AND 1-1/32" HEAD SIZE. UNLESS SPECIFIED, 27/32" HEAD WILL BE SUPPLIED.

## METER PIT FRAMES & COVERS

SINGLE LID "C" STYLE

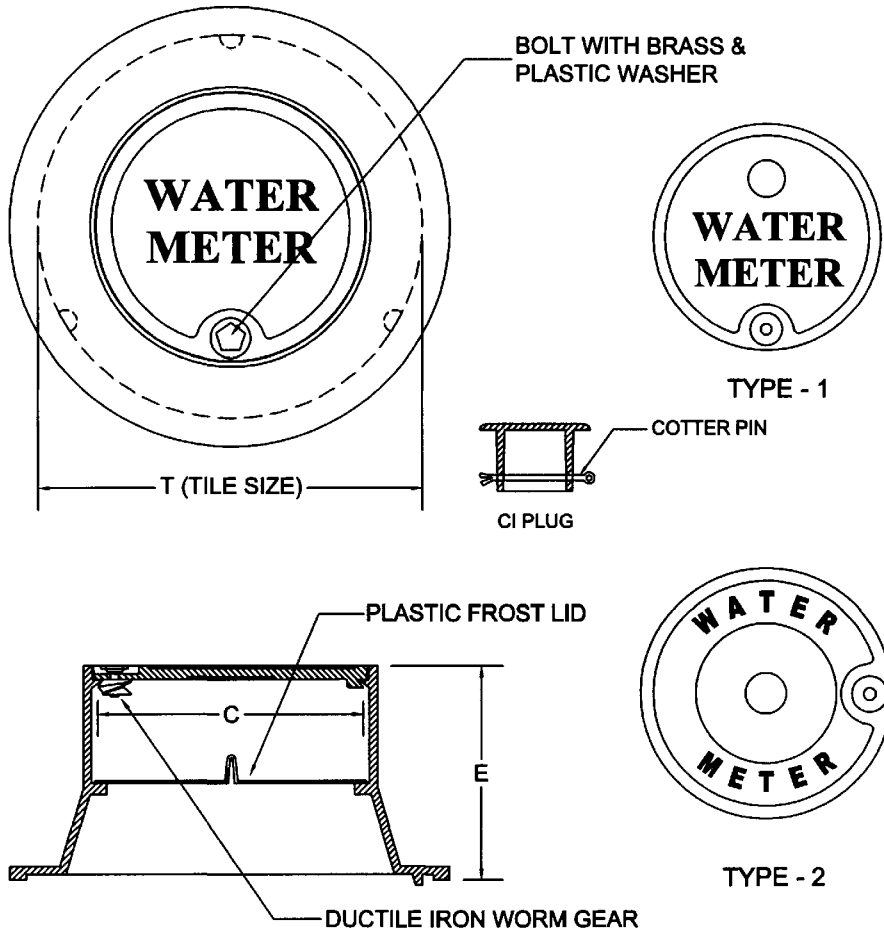


ITEM NUMBER			DIMENSIONS IN INCHES		
LIDS WITH NO HOLE	LIDS WITH HOLE		C	E	T
	TYPE-1	TYPE-2			
5A32N	5A32S	5A32C	11-1/2	4	18
5A03N	5A03S	5A03C	11-1/2	4	20
5A04N	5A04S	5A04C	11-1/2	4	21

NOTE: PENTAGON HEAD, SILICON BRONZE BOLT AVAILABLE IN 27/32" AND 1-1/32" HEAD SIZE. UNLESS SPECIFIED, 27/32" HEAD WILL BE SUPPLIED.

## METER PIT FRAMES & COVERS

SINGLE LID "A" STYLE

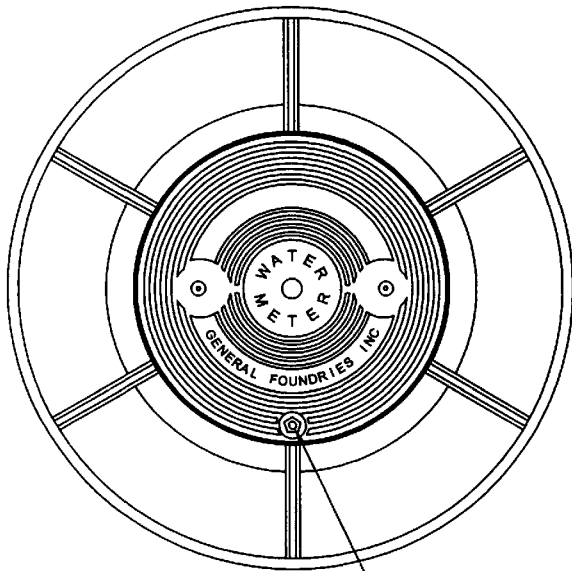


ITEM NUMBER			DIMENSIONS IN INCHES		
LIDS WITH NO HOLE	LIDS WITH HOLE		C	E	T
	TYPE-1	TYPE-2			
5W32N	5W32S	5W32C	11-1/2	9-1/2	18
5W03N	5W03S	5W03C	11-1/2	9-1/2	20
5W04N	5W04S	5W04C	11-1/2	9-1/2	21

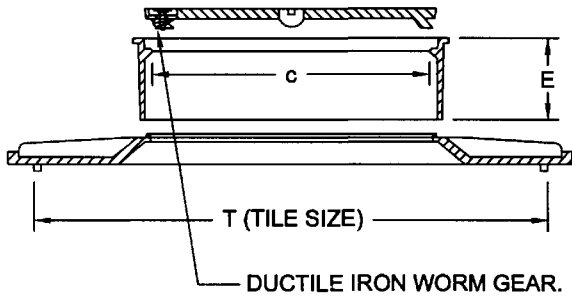
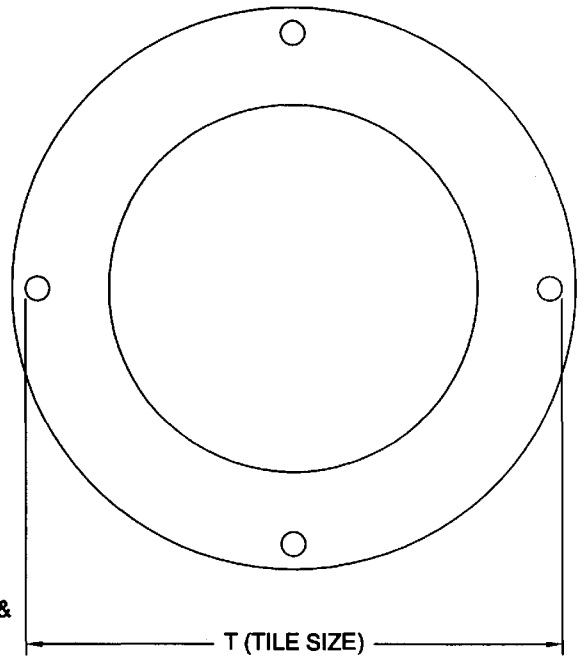
NOTE: PENTAGON HEAD, SILICON BRONZE BOLT AVAILABLE IN 27/32" AND 1-1/32" HEAD SIZE. UNLESS SPECIFIED, 27/32" HEAD WILL BE SUPPLIED.

**METER PIT FRAMES & COVERS**

DOUBLE LID "W" STYLE



BOLT WITH BRASS & PLASTIC WASHER

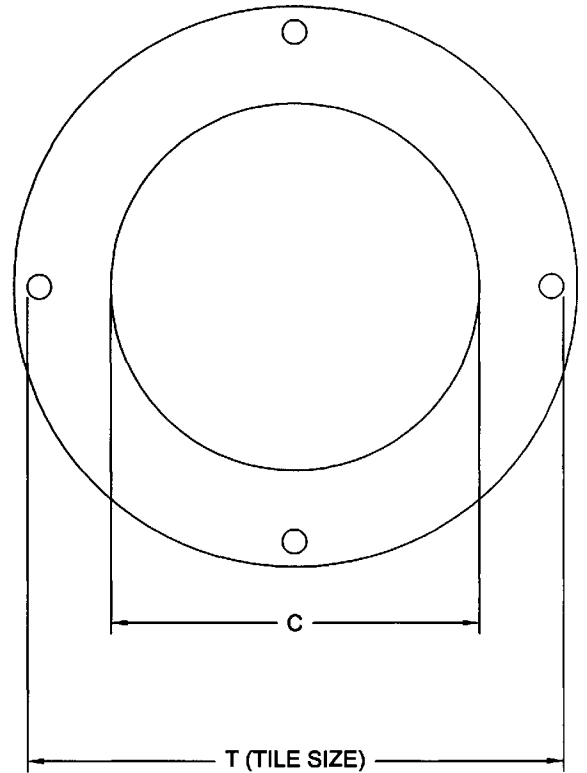
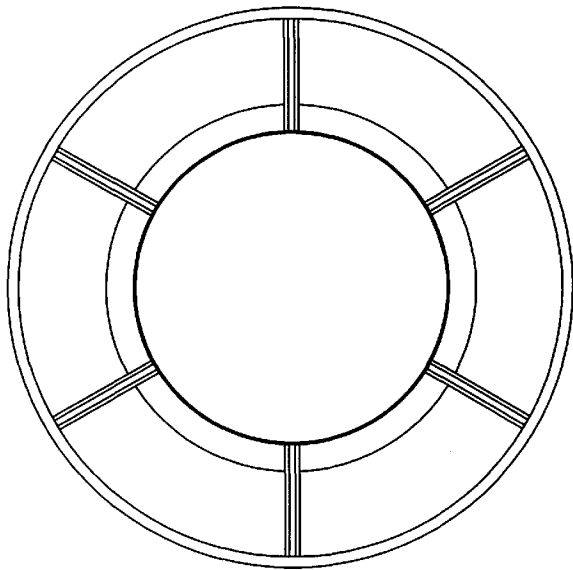


ITEM NUMBER	DIMENSIONS IN INCHES		
	C	E	T
5MC24	20	7-1/2	24
5MC30	20	7-1/2	30
5MC36	20	7-1/2	36

NOTE: PENTAGON HEAD, SILICON BRONZE BOLT AVAILABLE IN 27/32" AND 1-1/32" HEAD SIZE. UNLESS SPECIFIED, 27/32" HEAD WILL BE SUPPLIED.

## METER PIT FRAMES & COVERS

SINGLE LID MONITOR STYLE

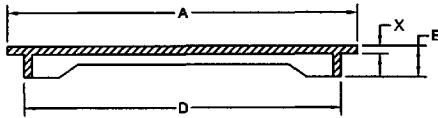
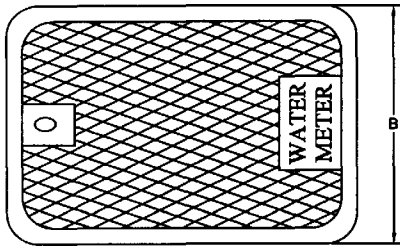


ITEM NUMBER	DIMENSIONS IN INCHES		
	C	RANGE	T
51824	18	ADAPTS 18" COVERS TO 24" TILE	24
52024	20	ADAPTS 20" COVERS TO 24" TILE	24
51830	18	ADAPTS 18" COVERS TO 30" TILE	30
52030	20	ADAPTS 20" COVERS TO 30" TILE	30
52036	20	ADAPTS 20" COVERS TO 36" TILE	36

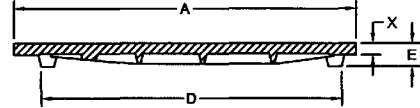
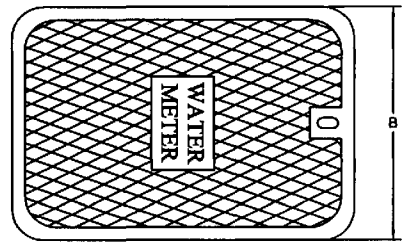
**EXTENSION RINGS FOR METER PIT COVERS**

SUITABLE FOR "A", "C" & "W" STYLE FRAMES

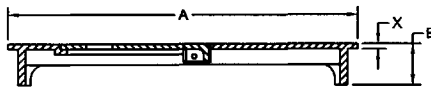
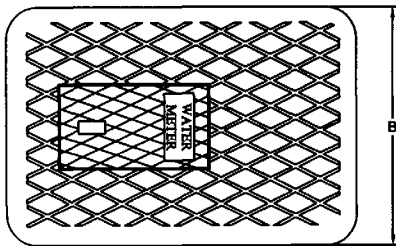
**GENERAL FOUNDRIES INC.**



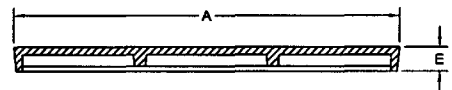
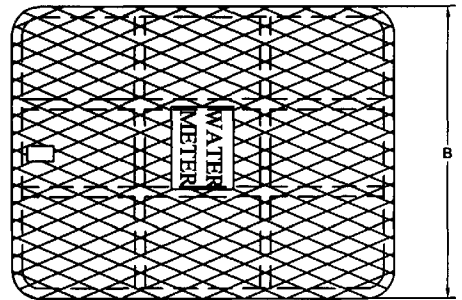
**TYPE - A**



**TYPE - B**



**TYPE - C**



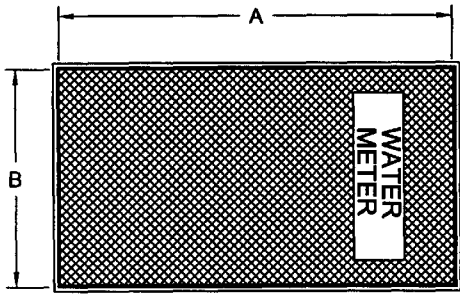
**TYPE - D**

ITEM NUMBER	DIMENSIONS IN INCHES				COVER TYPE	MARKING
	A	B	E	X		
51711WM	16-1/2	11-1/4	1-1/8	1/2	B	WATER METER
51711SW	16-1/2	11-1/4	1-1/8	1/2	B	SEWER
51712WM	16-3/4	11-1/2	1-15/16	1/2	A	WATER METER
51712SW	16-3/4	11-1/2	1-15/16	1/2	A	SEWER
51713WM	16-3/4	11-1/2	2	1/2	C	WATER METER
51814WM	18-5/8	14-1/8	1-3/16	1/2	D	WATER METER

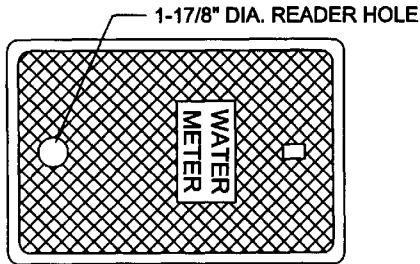
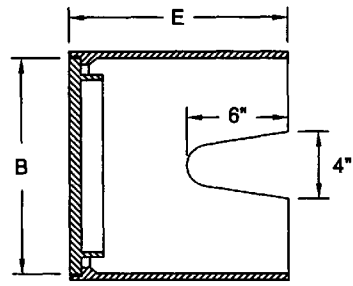
NOTE: TYPE 'B' COVERS ARE ALSO AVAILABLE WITH 1-3/4", 1-7/8" OR 2" HOLES FOR TOUCH READ DEVICES AND ARE MARKED "WATER METER".

**CAST IRON LIDS FOR PLASTIC METER BOXES**

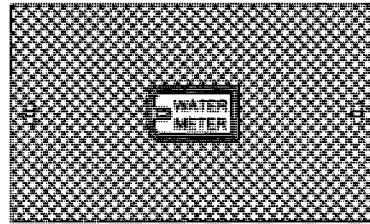
**GENERAL FOUNDRIES INC.**



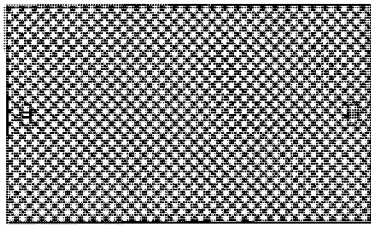
TYPE - A



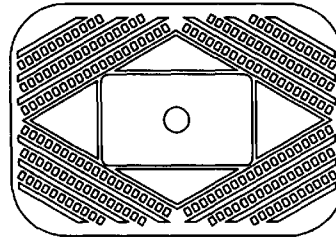
TYPE - B



TYPE - C



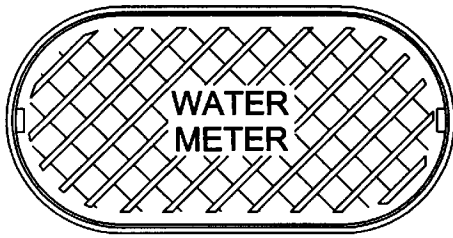
TYPE - D



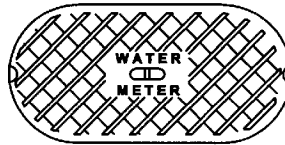
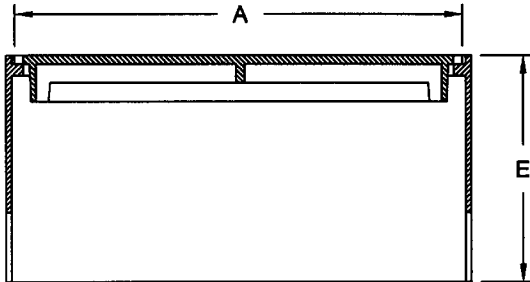
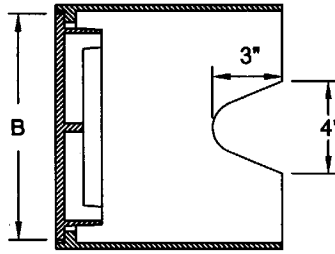
TYPE - E

ITEM NUMBER	DIMENSIONS IN INCHES			COVER TYPE	EQUIVALENT TO
	A	B	E		
52313	23-1/2	12-7/8	13	A	JEFFERSON PARISH
51611	15	10	10	A & B	MOBILE WTR & SWR
53018	29-3/4	17-3/4	18-1/8	C & D	MBX 5A
51812	18-1/2	11-9/16	11-7/8	A	SCHOFIELD
52116	21	14-5/8	16	E	DECATUR

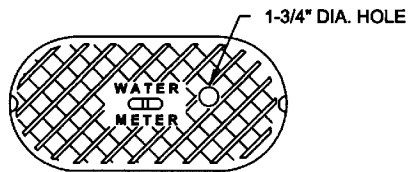
**CAST IRON RECTANGULAR METER BOXES**



TYPE - A



TYPE - B



TYPE - C

ITEM NUMBER	DIMENSIONS IN INCHES			COVER TYPE	EQUIVALENT TO
	A	B	E		
51910	19-1/4	9-3/4	10, 12 & 18	A	ROME BOX
52011	18-1/2	9-3/4	11-3/8	B	JEFFERSON PARISH
52012	19-1/4	9-3/4	12	B & C	MBX 1
52018	19-1/4	9-3/4	18	B & C	MBX 2

NOTE: 1) COVER TYPE-A: AVAILABLE MARKED WATER METER, RECLAIMED WATER, WATER & SAN SEWER CLEANOUT.

2) TYPE-A COVERS MARKED WATER & RECLAIMED WATER ARE PAINTED AS PER MANATEE COUNTY, FLORIDA SPECIFICATIONS OR UNPAINTED.

3) COVER TYPE-B: AVAILABLE MARKED WATER METER & SEWER.

**CAST IRON OVAL METER BOXES**