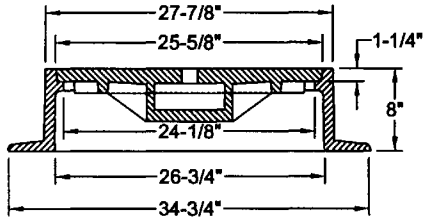


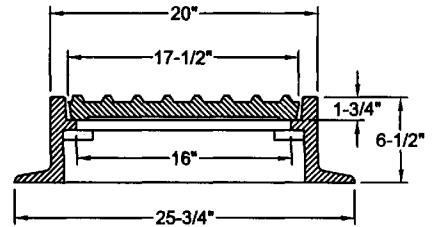
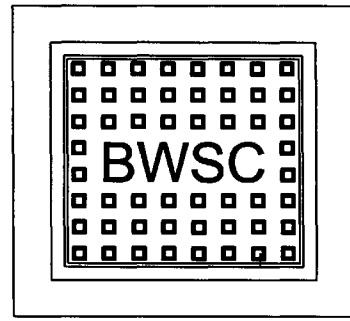
CITY OF BOSTON



A - 2 MANHOLE FRAME & COVER

ITEM NUMBER BOSA2

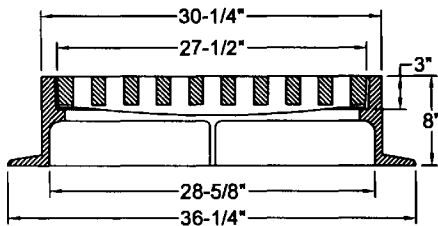
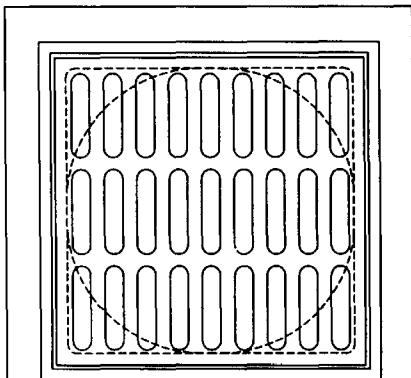
NOTE : COVER ALSO MARKED "BOSTON DRAIN".



16 x 18 GATE FRAME & COVER

ITEM NUMBER 16187

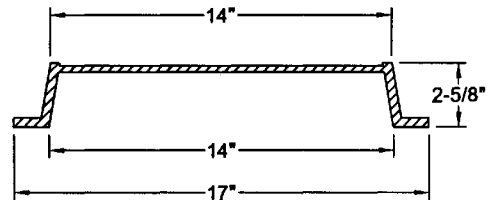
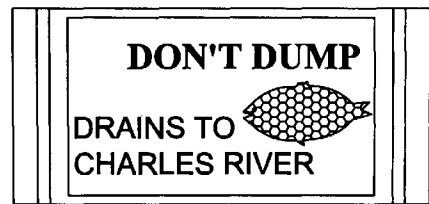
NOTE : COVER ALSO MARKED DIV GATE & SEWER.



E CATCH BASIN FRAME & GRATE

ITEM NUMBER BOSEB

NOTE : ALSO AVAILABLE BUT NOT SHOWN B-5 MANHOLE, LIGHT METER COVER, HEAVY METER COVER, TRAP, A - 3 COVER, BRADLEE COVER, E - 6 CATCH BASIN.

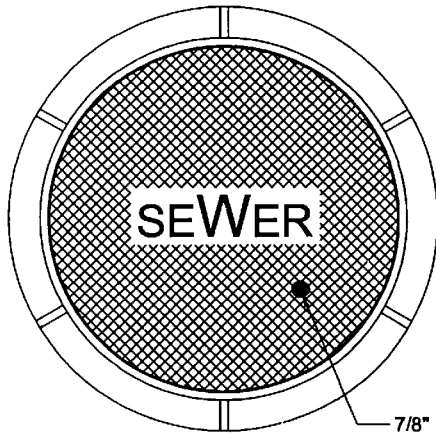


CATCH BASIN SIGN

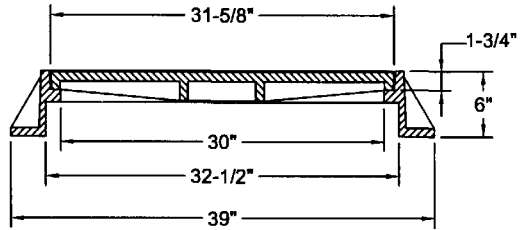
ITEM NUMBER BCBSN

NOTE : SIGN ALSO MARKED "DRAINS TO BOSTON HARBOR"

CITY OF WARWICK

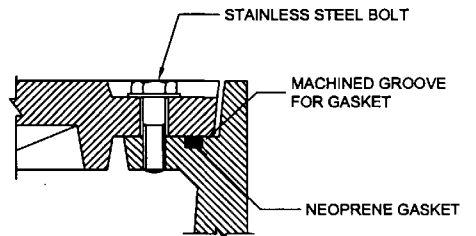
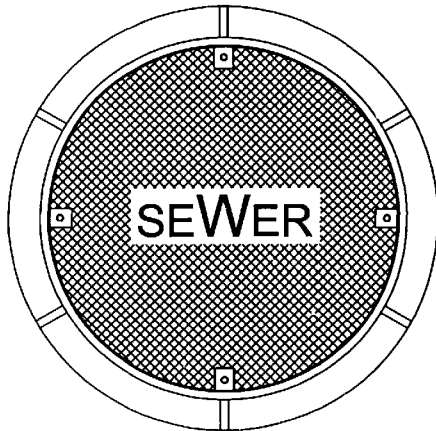


7/8" DIA. VENT HOLE

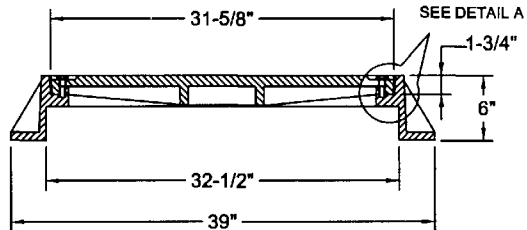


STANDARD MANHOLE FRAME & COVER

ITEM NUMBER WARFC



DETAIL A

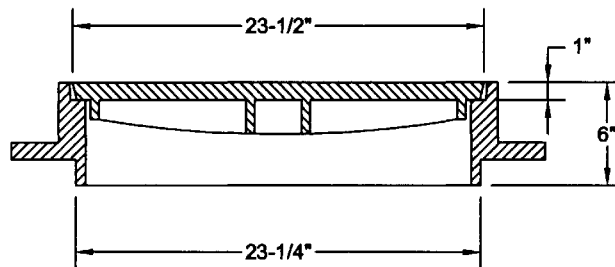
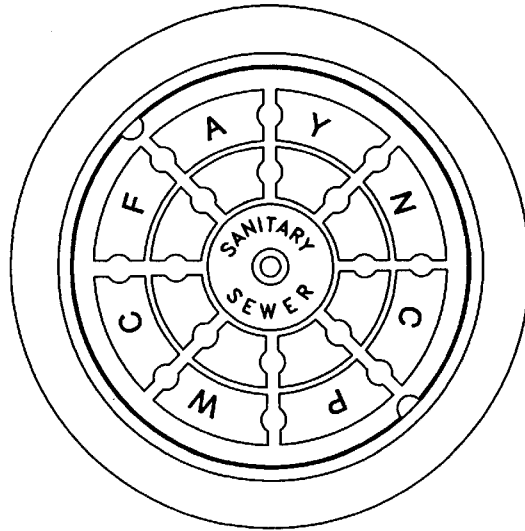


STANDARD BOLTED / GASKETED MANHOLE FRAME & COVER

ITEM NUMBER WARWT

NORTH CAROLINA

FAYETTEVILLE PWC STANDARD



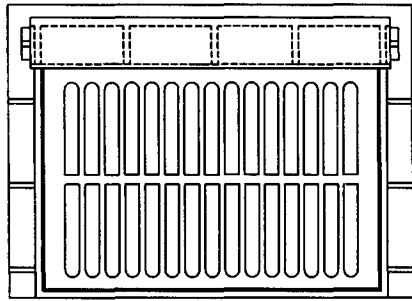
HEAVY DUTY MID-FLANGE MANHOLE FRAME & COVER

ITEM NUMBER 12363

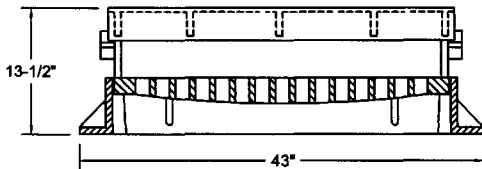
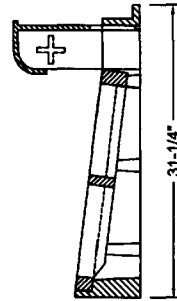
SUITABLE FOR A.A.S.H.T.O. H 20-44 AND HS 20-44 HIGHWAY LOADING.

NORTH CAROLINA

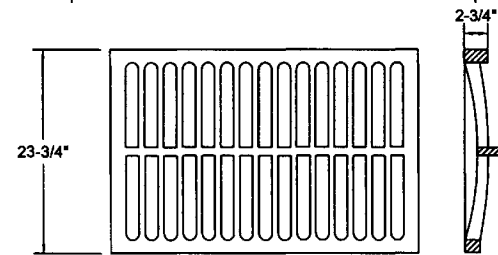
DEPARTMENT OF TRANSPORTATION STD 840-03



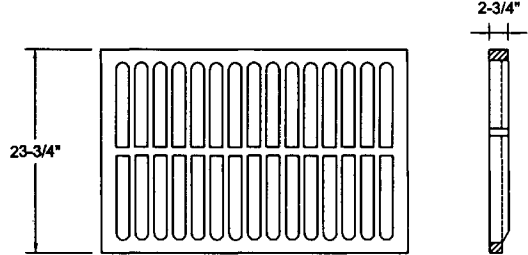
FRAME & CURB WITH TYPE - E GRATE



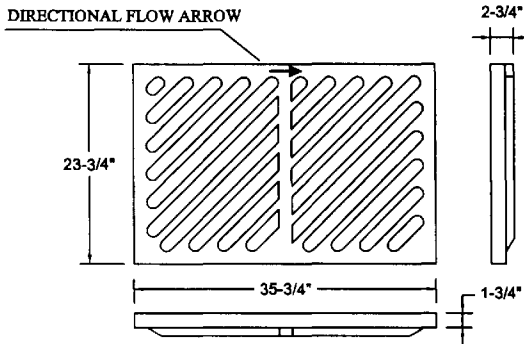
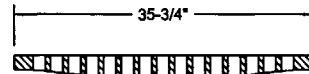
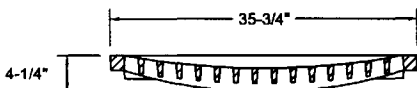
NOTE:
UNLESS SPECIFIED TYPE 'E'
GRATE WILL BE SHIPPED.



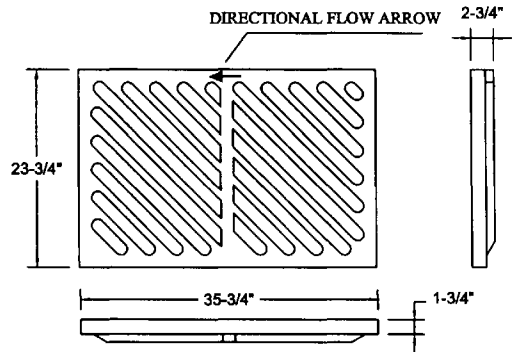
TYPE - C GRATE



TYPE - E GRATE



TYPE - G GRATE



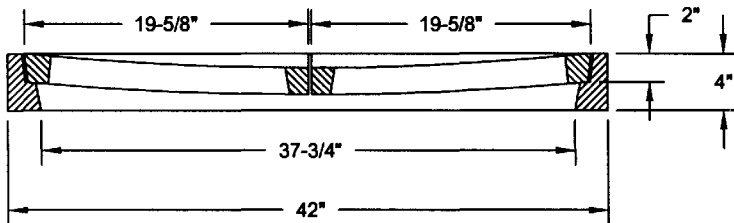
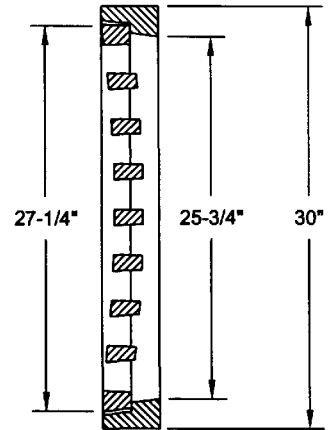
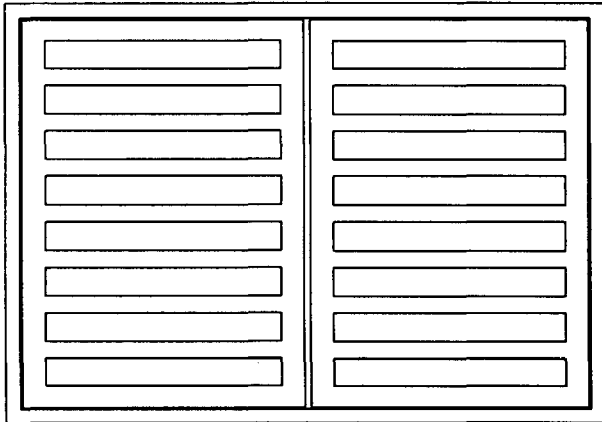
TYPE - F GRATE

STANDARD CB FRAME, GRATE & HOOD

ITEM NUMBER 28403

NORTH CAROLINA

DEPARTMENT OF TRANSPORTATION STD 840-16



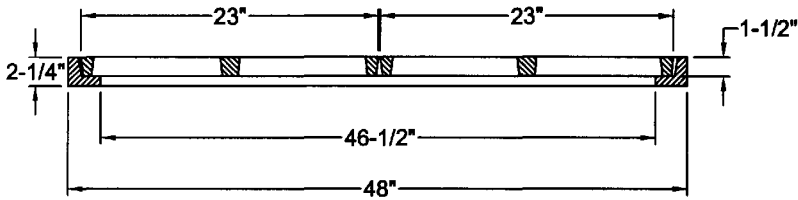
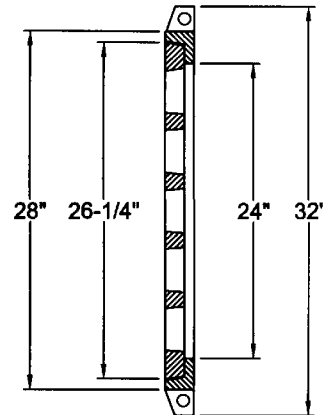
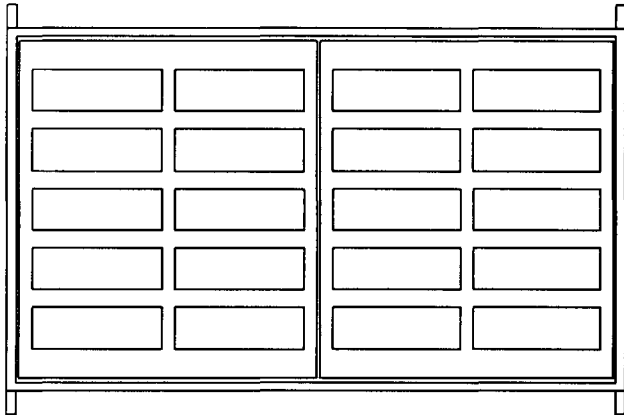
DROP INLET FRAME & GRATE

ITEM NUMBER 28416

GENERAL FOUNDRIES INC.

NORTH CAROLINA

DEPARTMENT OF TRANSPORTATION STD 840-20

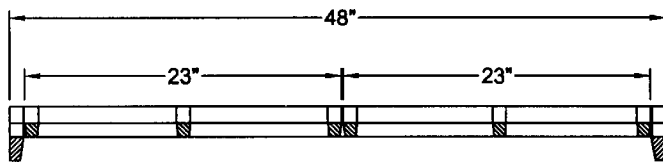
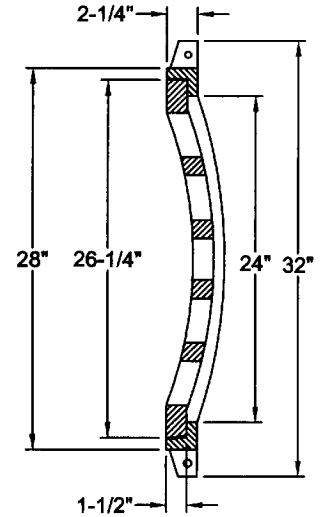
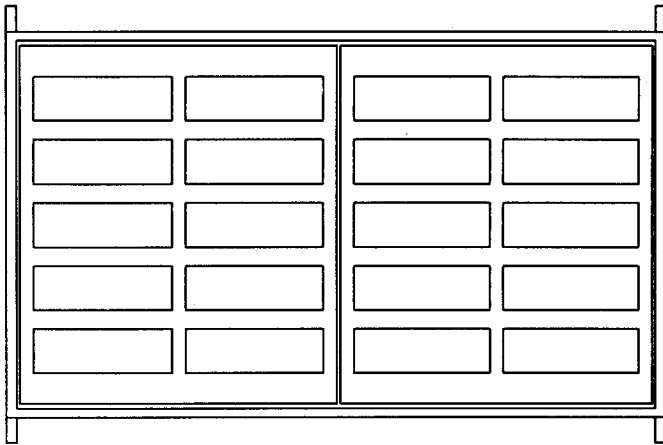


FRAME & WIDE SLOT FLAT GRATES

ITEM NUMBER 28420

NORTH CAROLINA

DEPARTMENT OF TRANSPORTATION STD 840-22

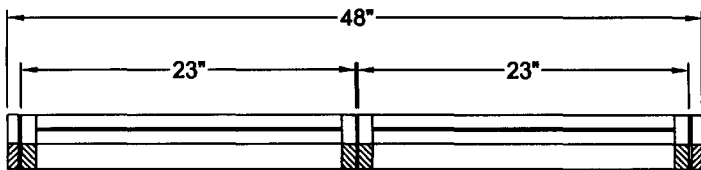
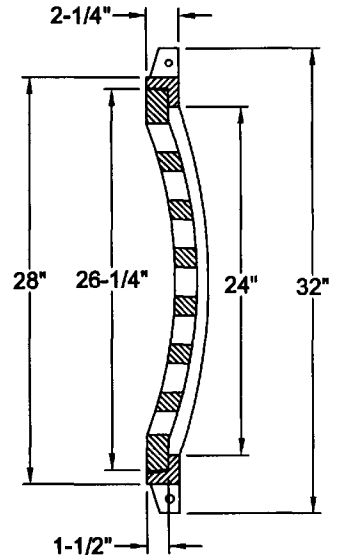
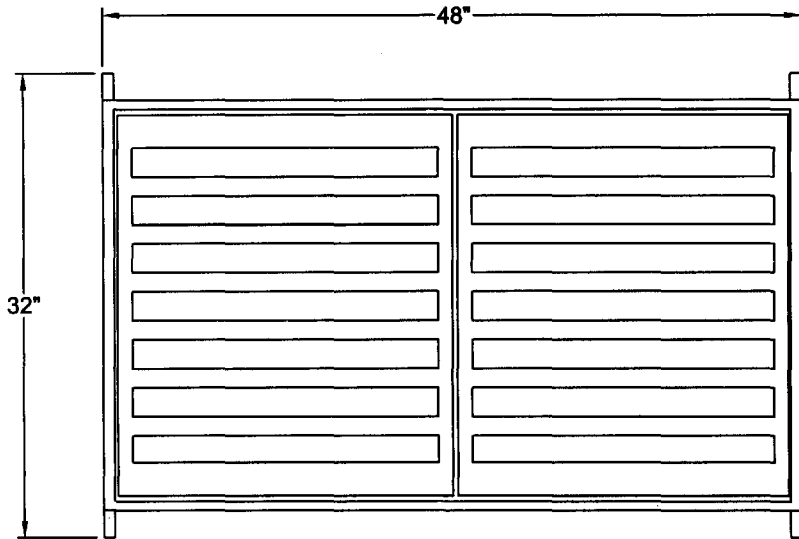


FRAME & WIDE SLOT SAG GRATES

ITEM NUMBER 28422

NORTH CAROLINA

DEPARTMENT OF TRANSPORTATION STD 840-24

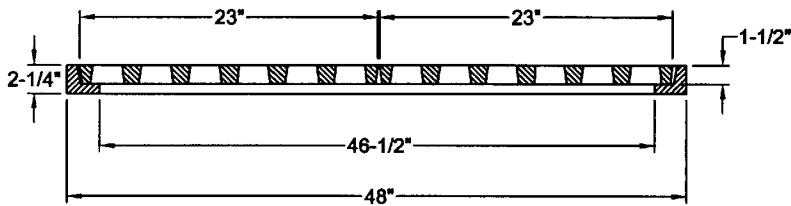
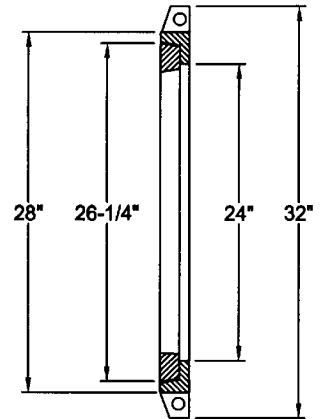
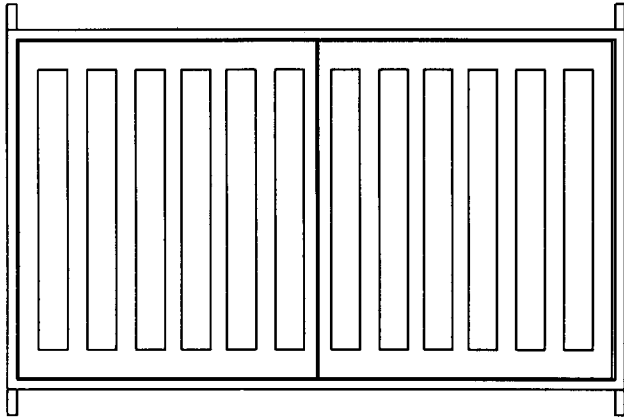


FRAME & NARROW SLOT SAG GRATES

ITEM NUMBER 28424

NORTH CAROLINA

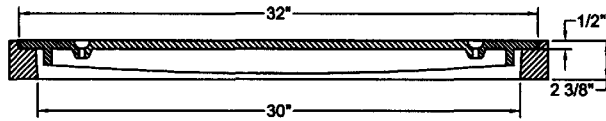
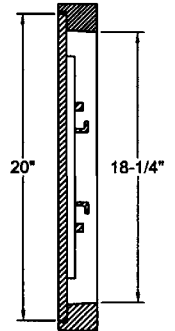
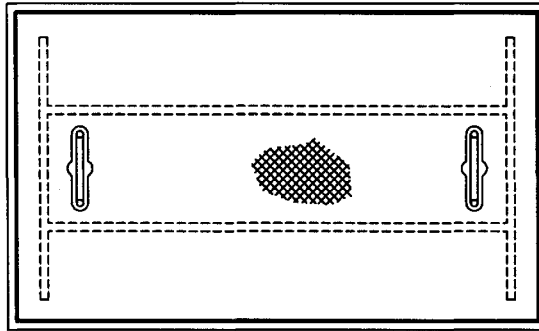
DEPARTMENT OF TRANSPORTATION STD 840-29



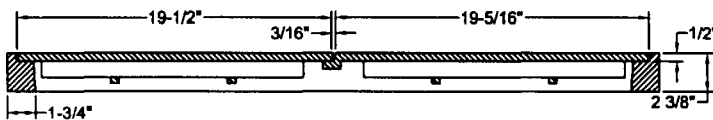
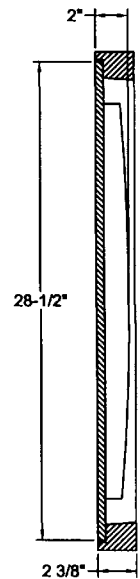
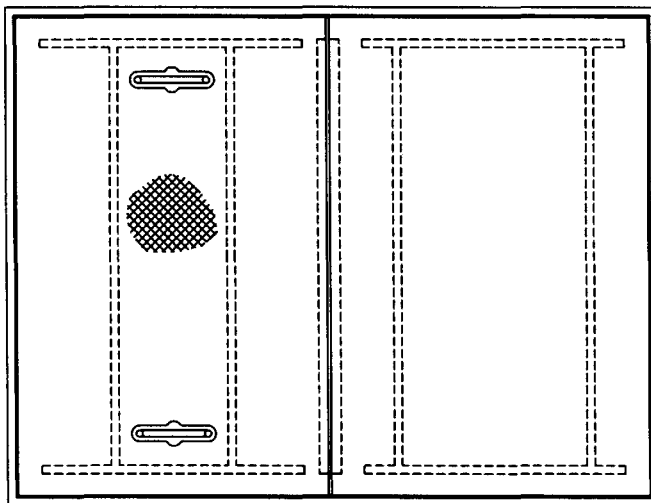
FRAME & NARROW SLOT FLAT GRATES

ITEM NUMBER 28429

NORTH CAROLINA



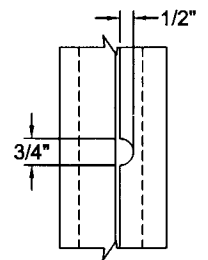
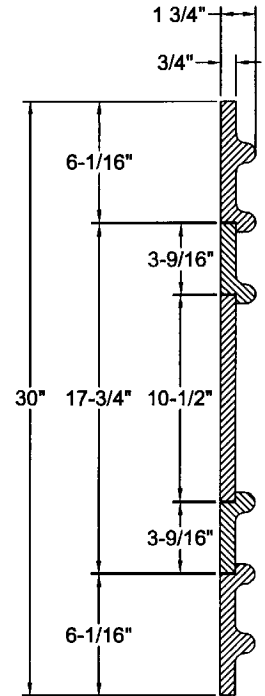
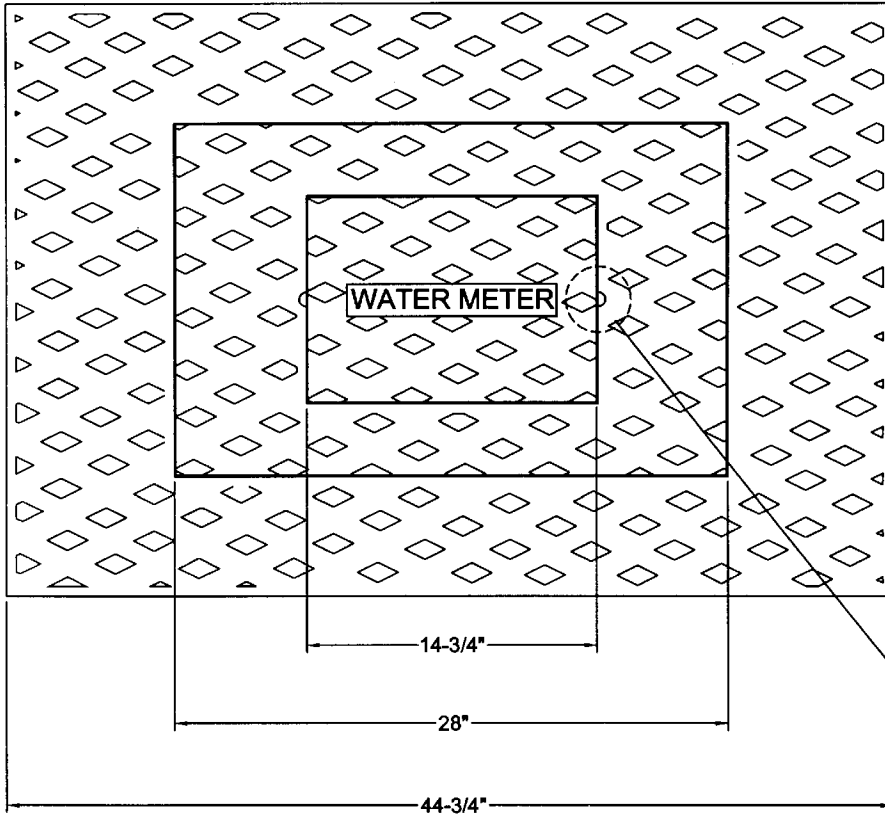
ITEM NUMBER 53220



ITEM NUMBER 53828

NORTH CAROLINA

CITY OF DURHAM



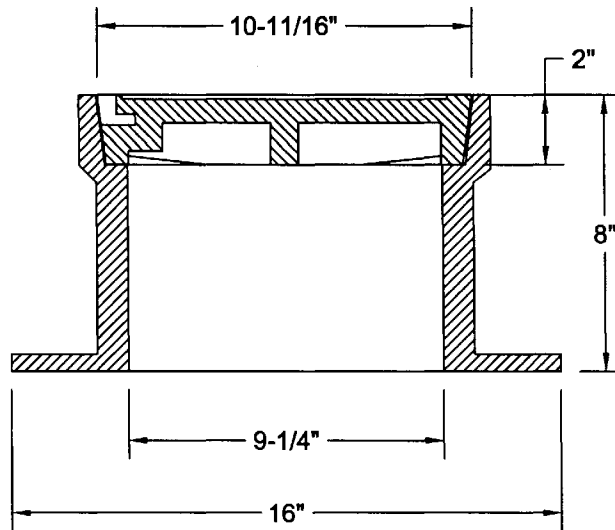
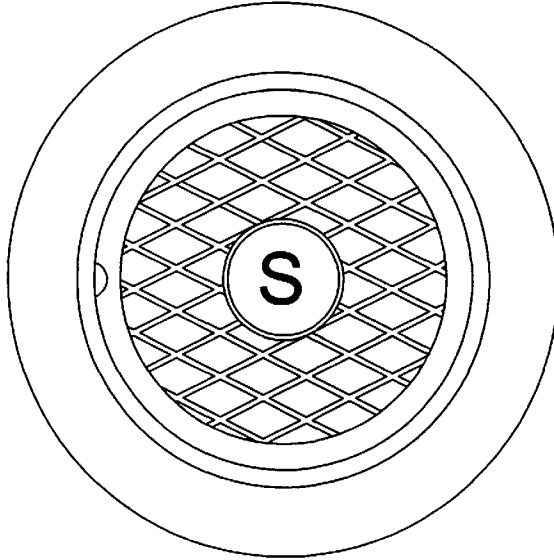
DETAIL A

STANDARD 3 PIECE METER BOX

ITEM NUMBER 54430

NORTH CAROLINA

CITY OF DURHAM



HEAVY DUTY HANDHOLE FRAME & COVER

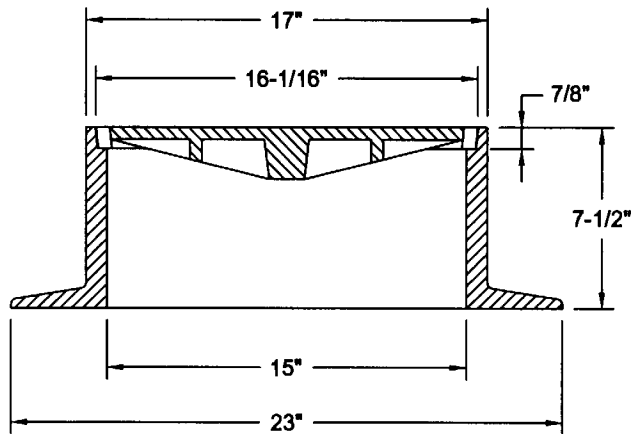
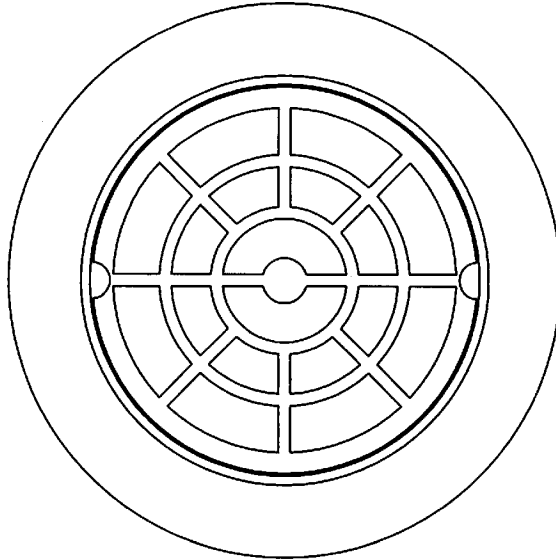
ITEM NUMBER 11081

SUITABLE FOR A.A.S.H.T.O. H 20-44 AND HS 20-44 HIGHWAY LOADING.

GENERAL FOUNDRIES INC.

NORTH CAROLINA

CITY OF WILMINGTON



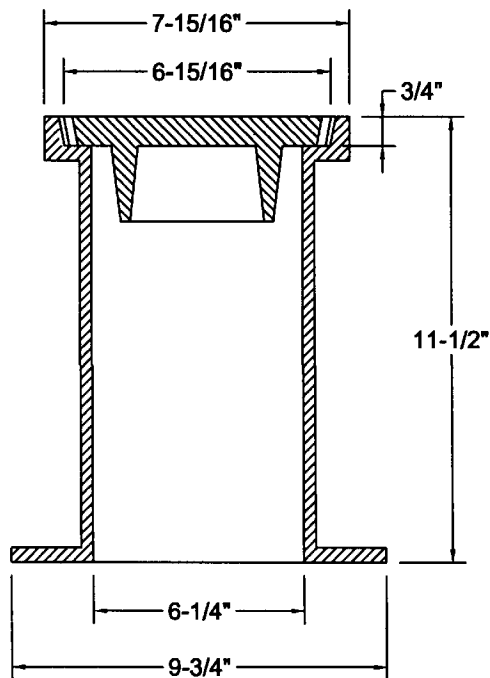
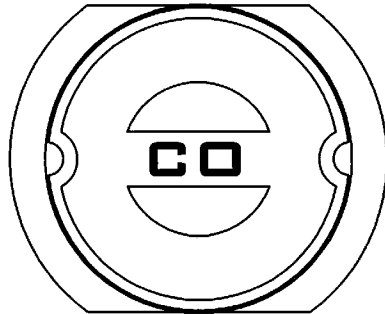
HEAVY DUTY MONUMENT BOX

ITEM NUMBER 11671

SUITABLE FOR A.A.S.H.T.O. H 20-44 AND HS 20-44 HIGHWAY LOADING.

NORTH CAROLINA

CITY OF WILMINGTON

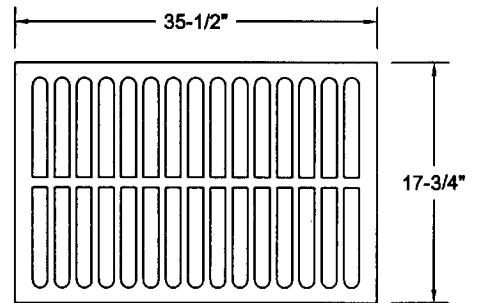
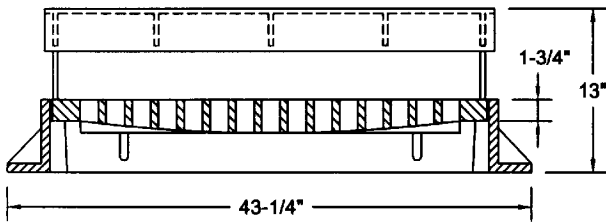
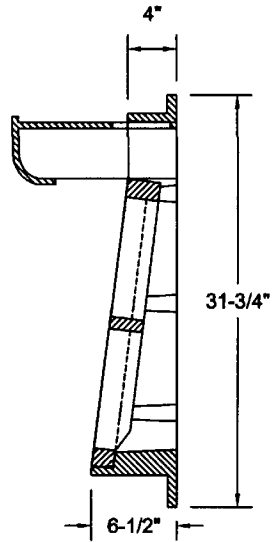
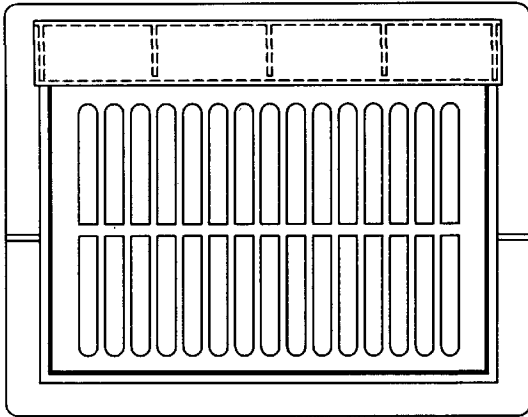


CLEANOUT BOX

ITEM NUMBER 10711

NORTH CAROLINA

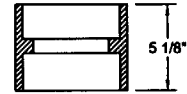
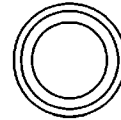
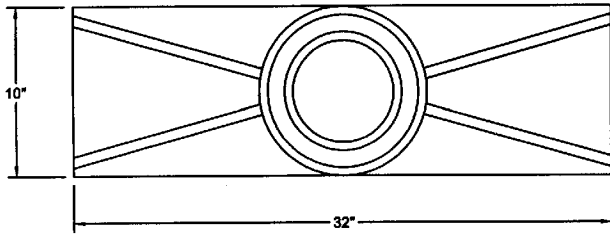
CITY OF WILMINGTON



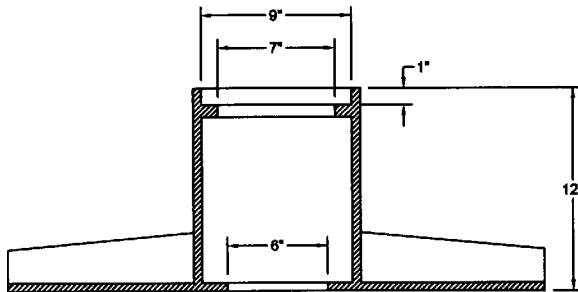
STANDARD CB FRAME, GRATE & HOOD

ITEM NUMBER 20074

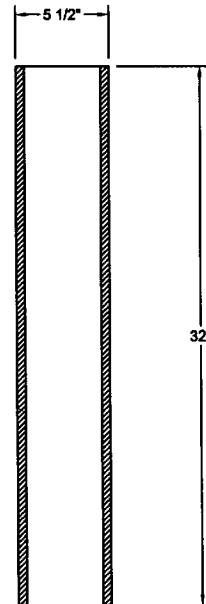
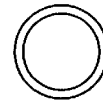
CITY OF COLUMBUS, OHIO



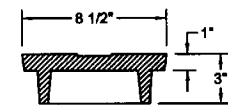
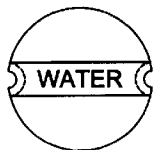
VALVE STEM SLEEVE



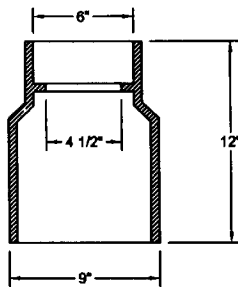
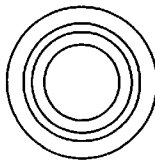
VALVE BOX



VALVE STEM



VALVE BOX LID



VALVE BOX BASE

NOTE: ALSO AVAILABLE WITH LID MARKED SEWER.

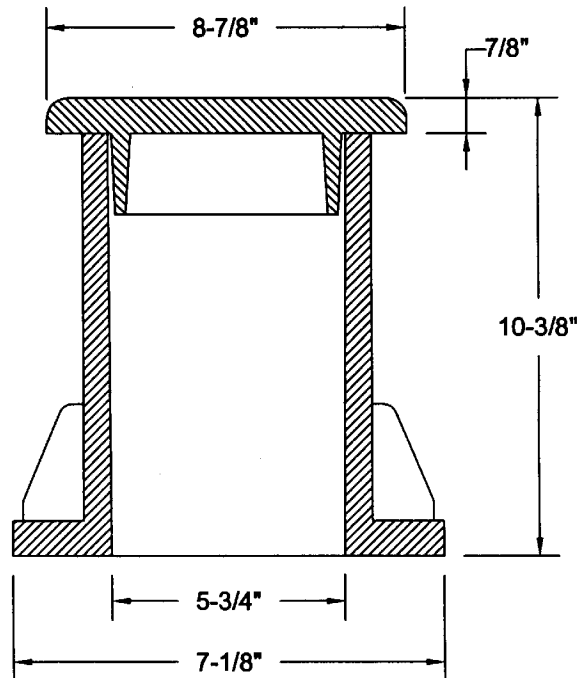
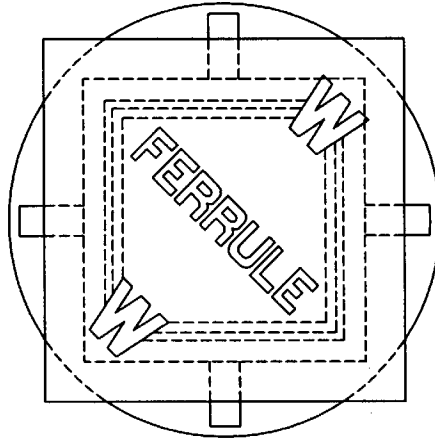
COLUMBUS STANDARD VALVE BOX

ITEM NUMBER COLVB

SUITABLE FOR A.A.S.H.T.O. H 20-44 AND HS 20-44 HIGHWAY LOADING.

GENERAL FOUNDRIES INC.

CITY OF COLUMBUS, OHIO



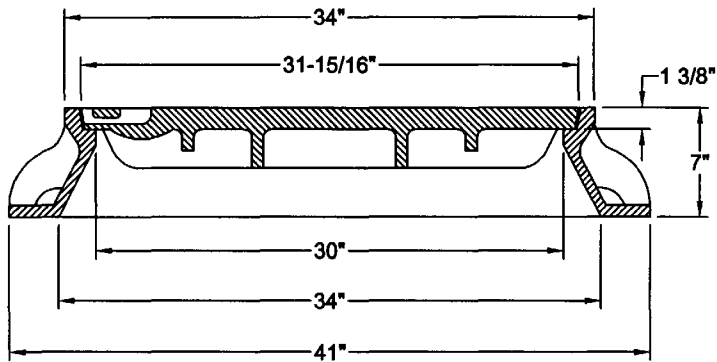
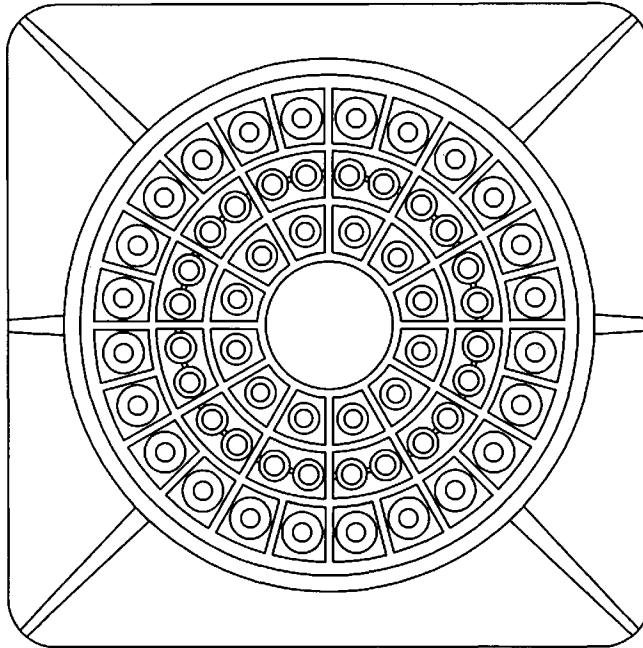
FERRULE HEAVY DUTY VALVE BOX

FOR 3/4" THRU 2" VALVES

ITEM NUMBER 36108

SUITABLE FOR A.A.S.H.T.O. H 20-44 AND HS 20-44 HIGHWAY LOADING.

CON EDISON

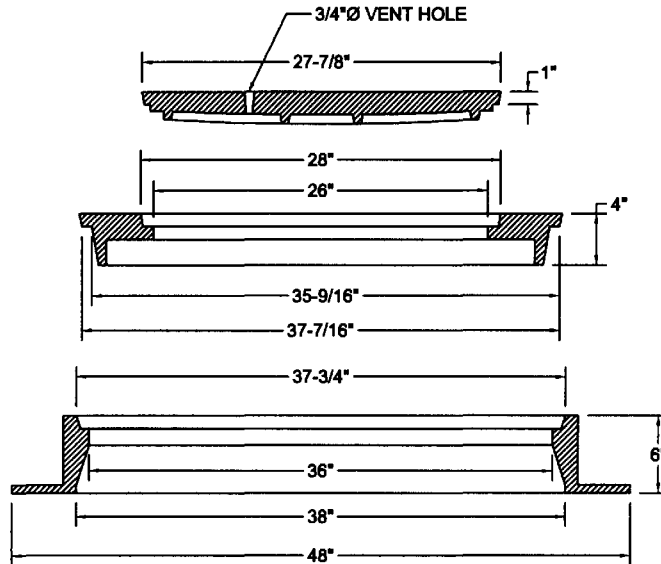
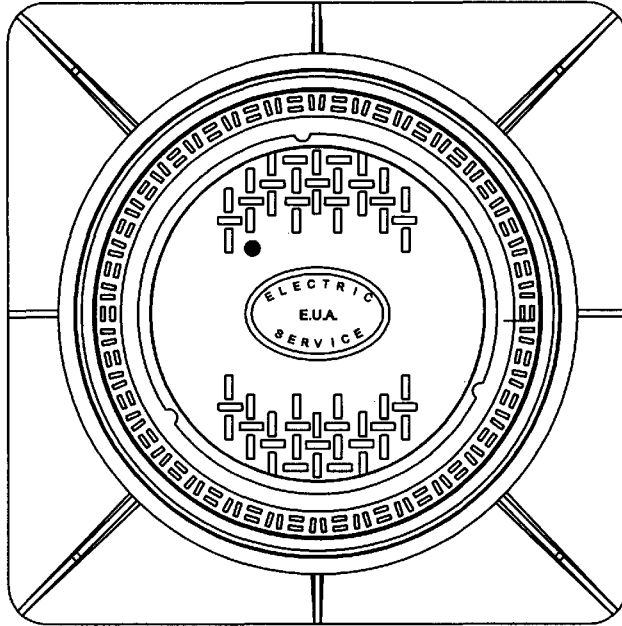


NOTE: FRAME SHOWN WITH PLAIN COVER. ALSO AVAILABLE WITH CON-ED, E, T, AND NYC-TS MARKINGS ON THE COVER.

UTILITY MANHOLE FRAME & COVER

ITEM NO 13278

SUITABLE FOR A.A.S.H.T.O. H 20-44 AND HS 20-44 HIGHWAY LOADING.



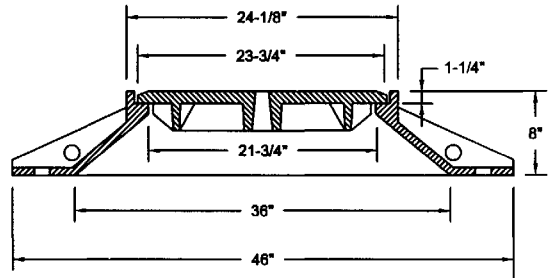
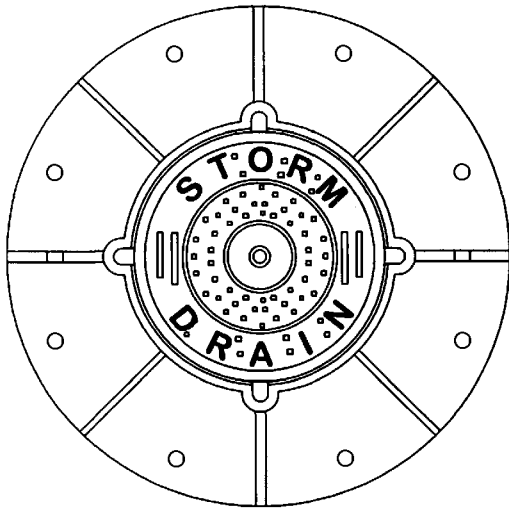
UTILITY MANHOLE FRAME & COVER

FRAME WITH DOUBLE COVER

ITEM NO 13868

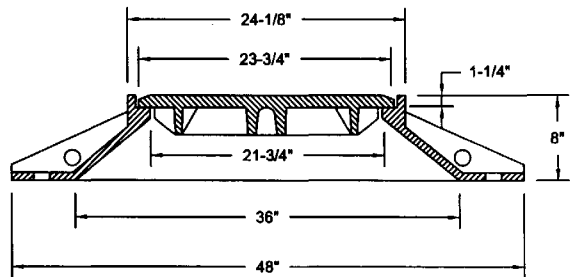
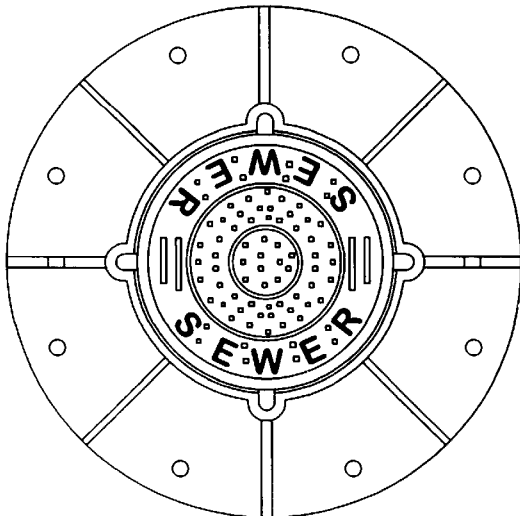
SUITABLE FOR A.A.S.H.T.O. H 20-44 AND HS 20-44 HIGHWAY LOADING.

MDC / HARTFORD, CT



NOTE: AVAILABLE WITH OR WITHOUT VENT HOLE.

ITEM NUMBER MDCSD



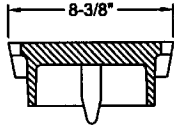
NOTE: AVAILABLE WITH OR WITHOUT VENT HOLE.

STANDARD MANHOLE FRAMES & COVERS

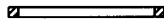
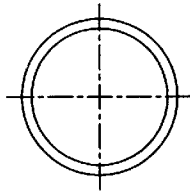
ITEM NUMBER MDCSS

SUITABLE FOR A.A.S.H.T.O. H 20-44 AND HS 20-44 HIGHWAY LOADING.

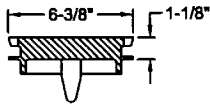
MDC / HARTFORD, CT



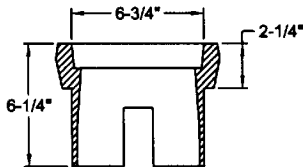
LID FOR STD. VBX



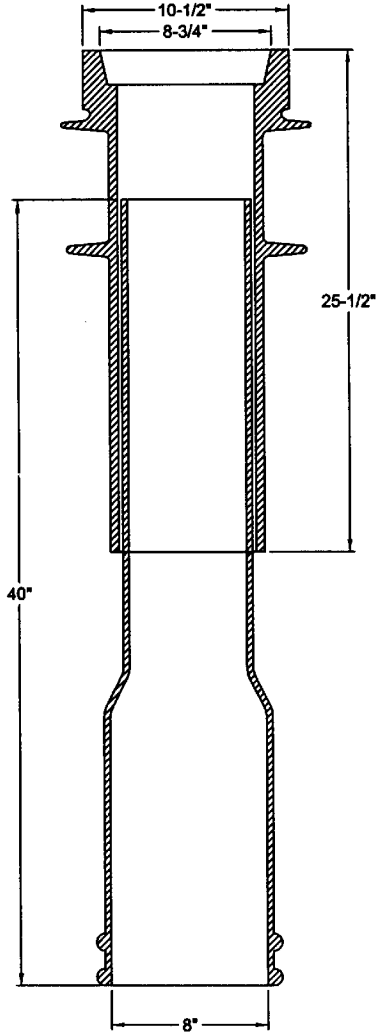
SPACERS (1/2", 1", 1-1/2", & 2")



SPECIAL LID FOR EXTENSION



EXTENSION



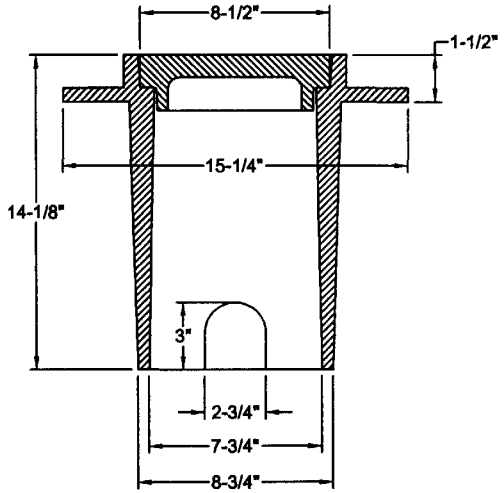
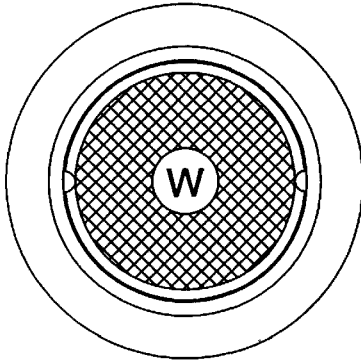
COMPLETE BOX

STANDARD VALVE BOX, EXTENSION & SPACERS

ITEM NUMBER MDCVB

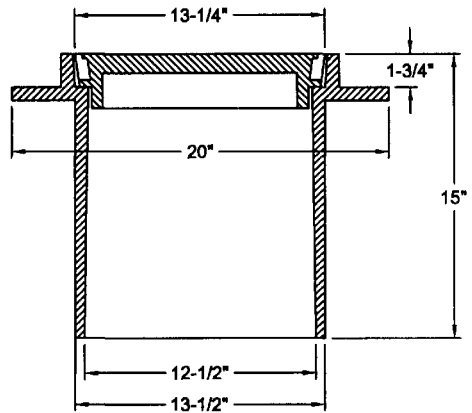
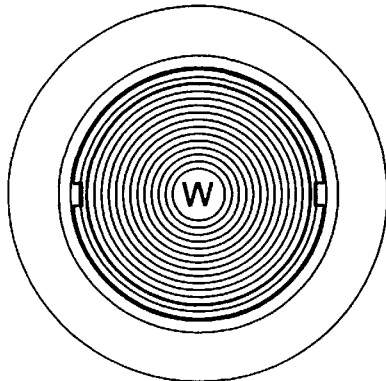
SUITABLE FOR A.A.S.H.T.O. H 20-44 AND HS 20-44 HIGHWAY LOADING.

FLORIDA
MIAMI DADE WATER & SEWER



ITEM NUMBER 10814

STD. NUMBER 2 VALVE BOX

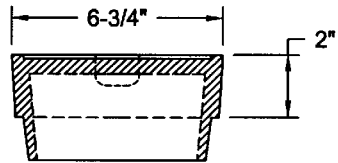
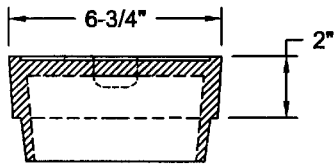
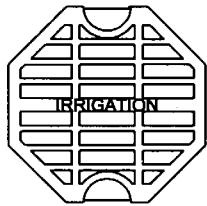


ITEM NUMBER 11315

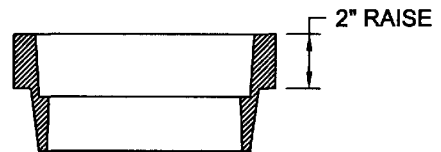
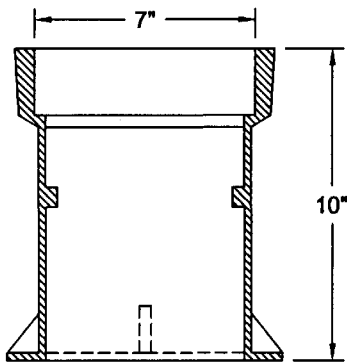
STD. NUMBER 3 VALVE BOX

FLORIDA

CITY OF CAPE CORAL



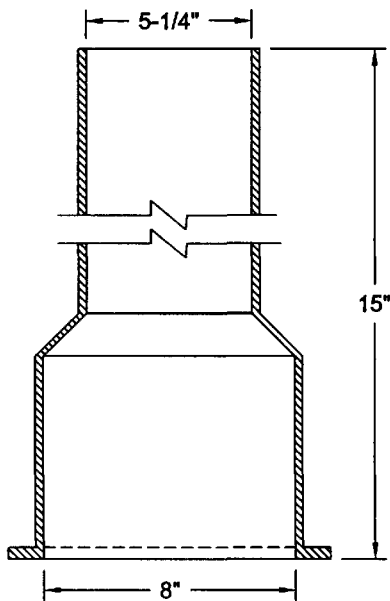
LID



RISER

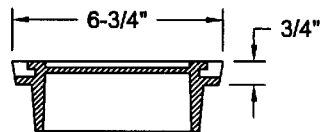
2" RISER WITH STD LID

ITEM NUMBER 30420VBR

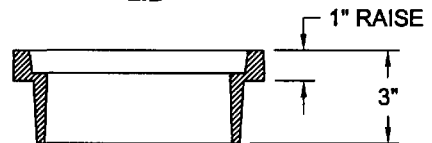


VALVE BOX

ITEM NUMBER 30466



LID

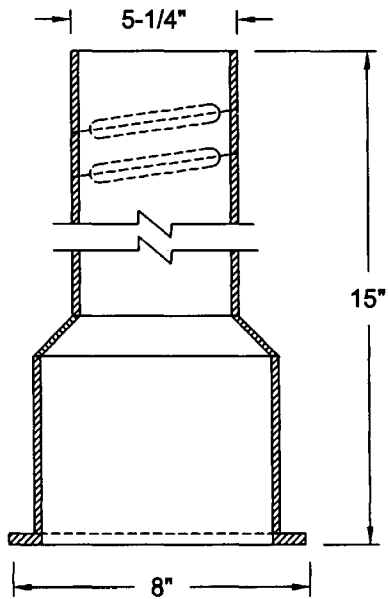
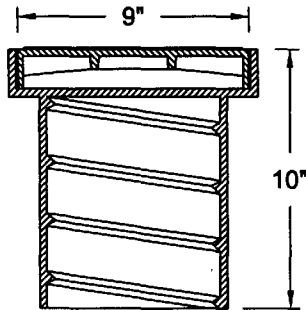


RISER

1" RISER WITH SPECIAL LID

ITEM NUMBER 30410VBR

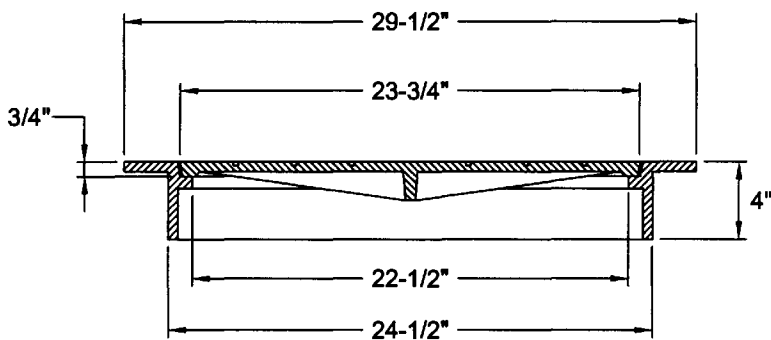
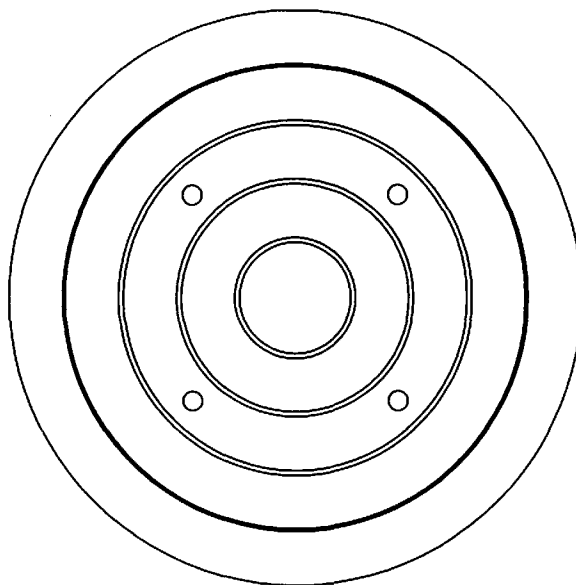
FLORIDA



RECLAIMED VALVE BOX

ITEM NUMBER 32469

GEORGIA



NOTE: ALSO AVAILABLE WITH SOLID COVER.

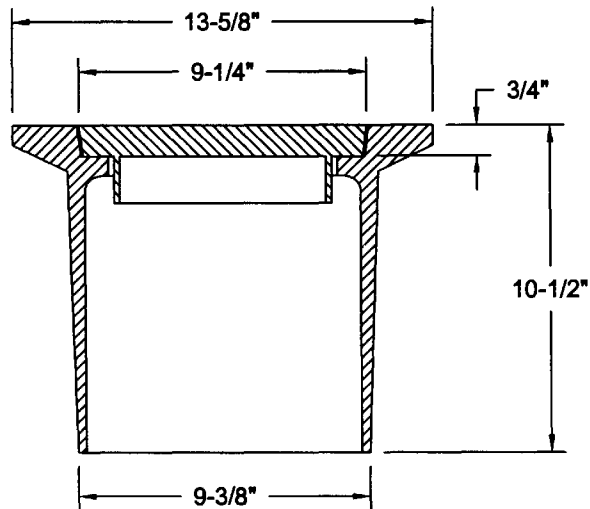
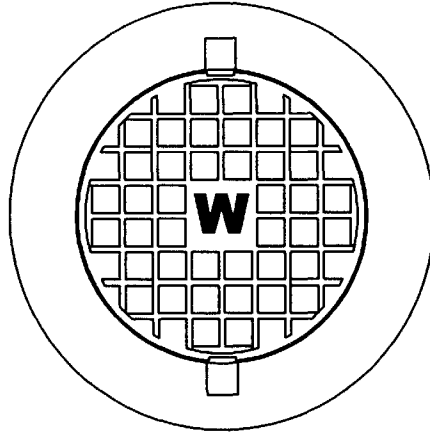
NON-TRAFFIC SIDEWALK FRAME & COVER

ITEM NUMBER 12344

GENERAL FOUNDRIES INC.

LOUISVILLE

LOUISVILLE WATER COMPANY



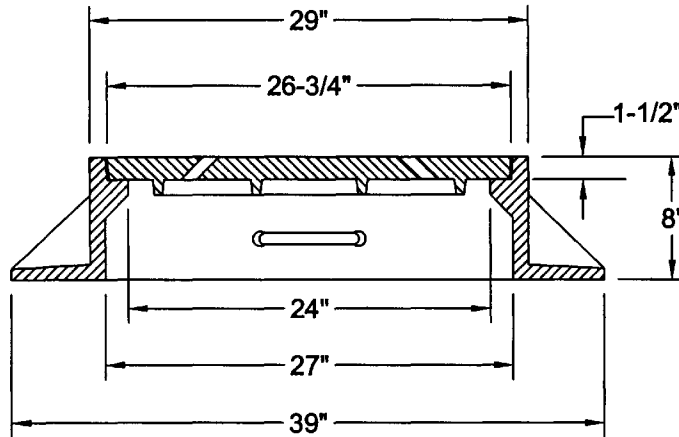
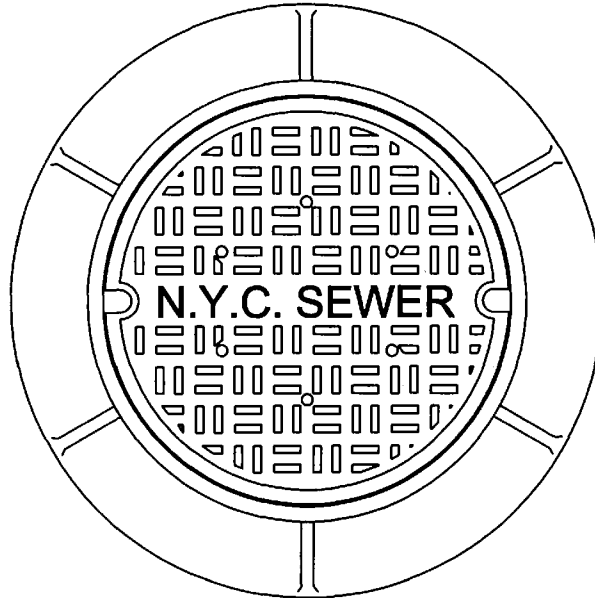
HEAVY DUTY STANDARD No. 2 VALVE BOX

ITEM NUMBER 10910

SUITABLE FOR A.A.S.H.T.O. H 20-44 AND HS 20-44 HIGHWAY LOADING.

CITY OF NEW YORK

DEPARTMENT OF DESIGN & CONSTRUCTION



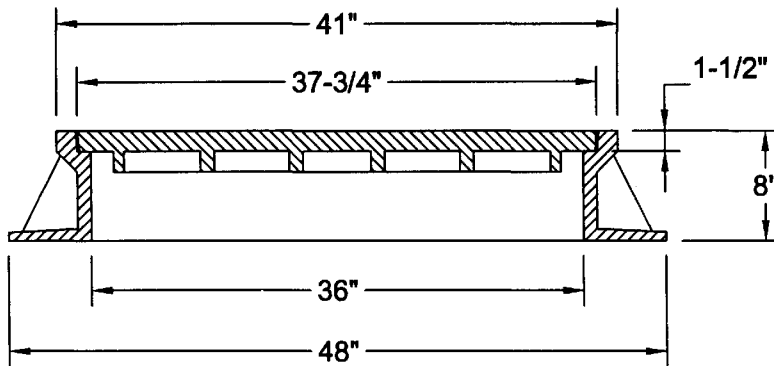
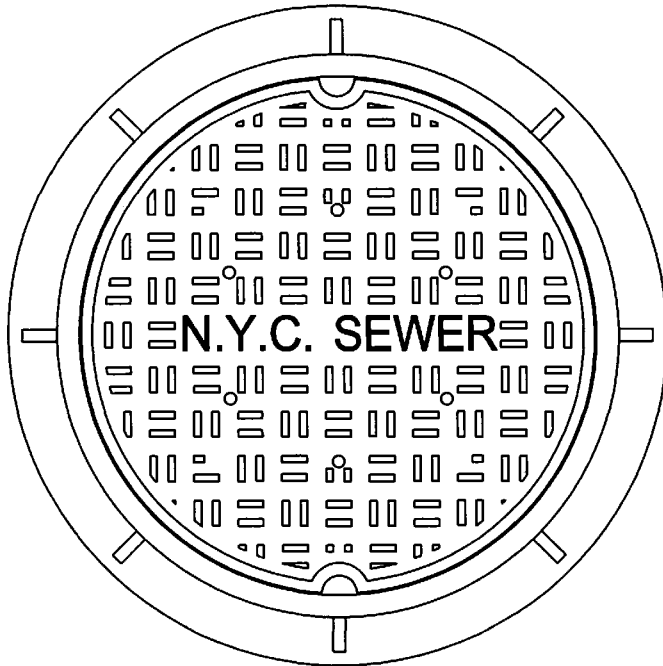
STANDARD 27" MANHOLE FRAME & COVER

ITEM NUMBER 12781

SUITABLE FOR A.A.S.H.T.O. H 20-44 AND HS 20-44 HIGHWAY LOADING.

CITY OF NEW YORK

DEPARTMENT OF DESIGN & CONSTRUCTION



STANDARD 36" MANHOLE FRAME & COVER

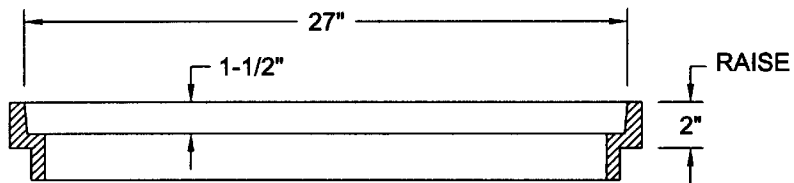
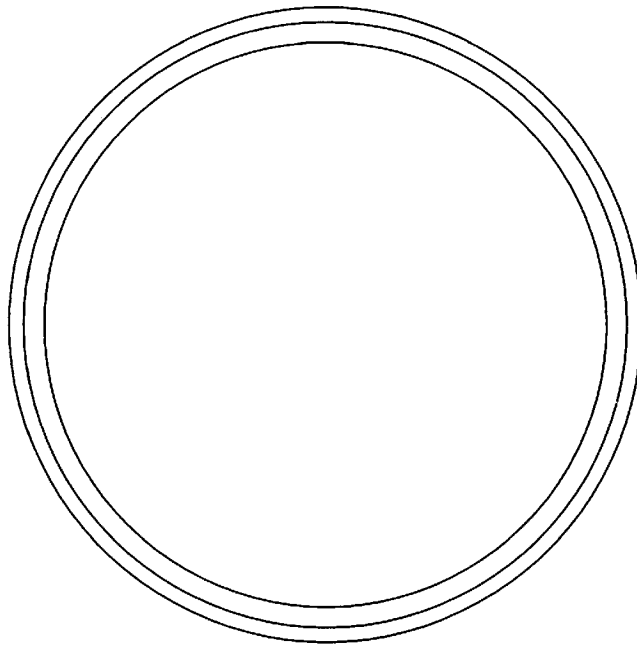
ITEM NUMBER 13685

SUITABLE FOR A.A.S.H.T.O. H 20-44 AND HS 20-44 HIGHWAY LOADING.

GENERAL FOUNDRIES INC.

CITY OF NEW YORK

DEPARTMENT OF DESIGN & CONSTRUCTION

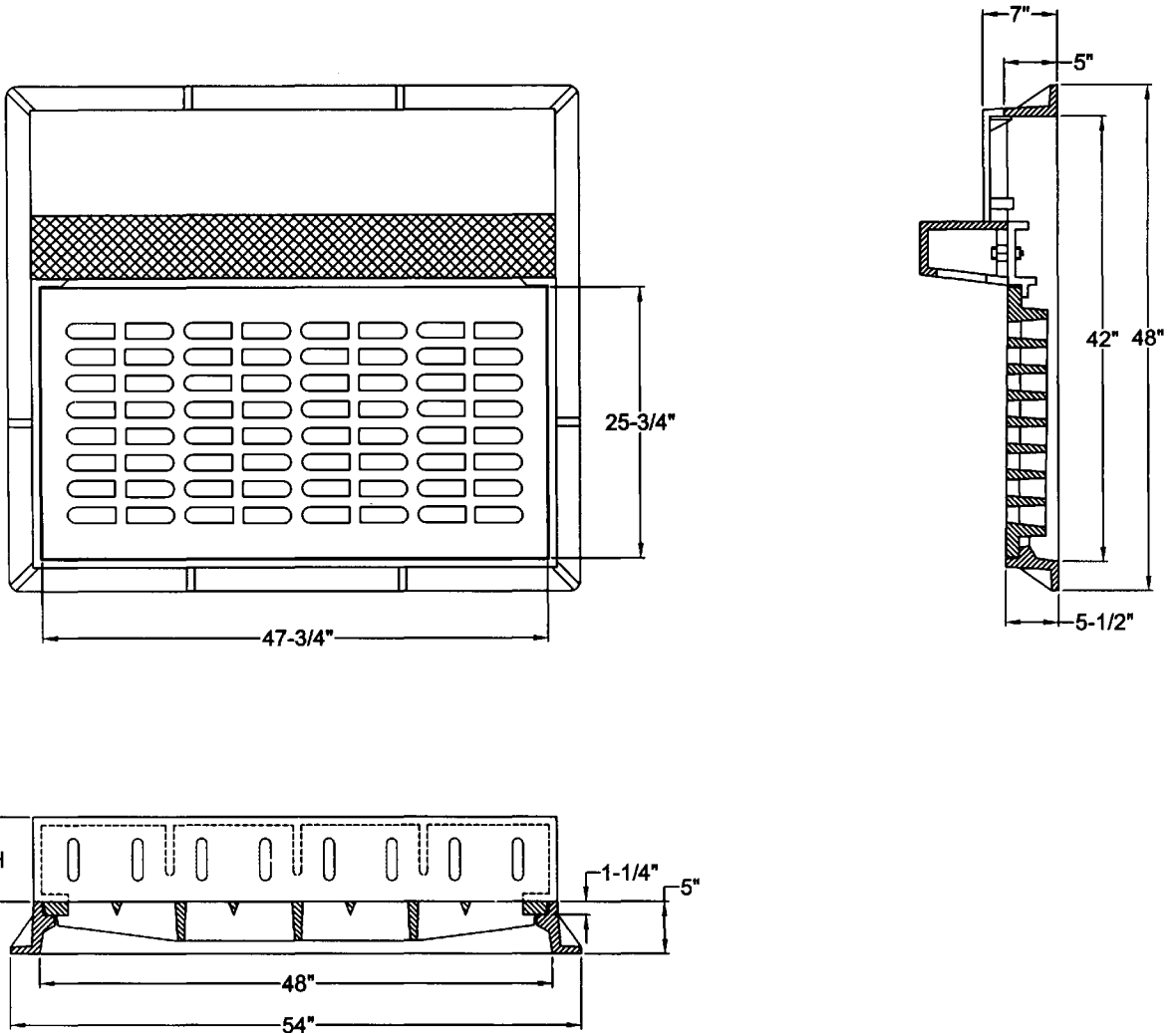


STD. EXTENSION RING FOR 27" MANHOLE

ITEM NUMBER 12720

CITY OF NEW YORK

DEPARTMENT OF DESIGN & CONSTRUCTION



NOTE: SPECIFY CURB HEIGHT (H) 6" OR 8".

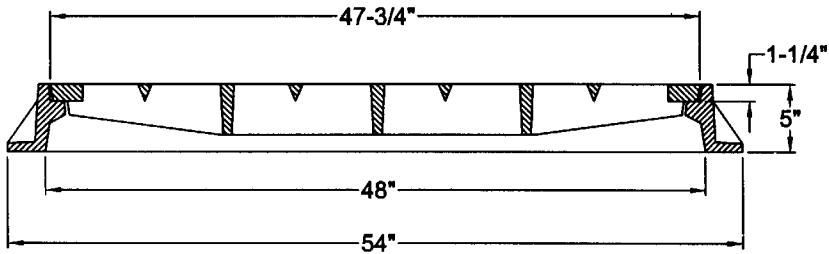
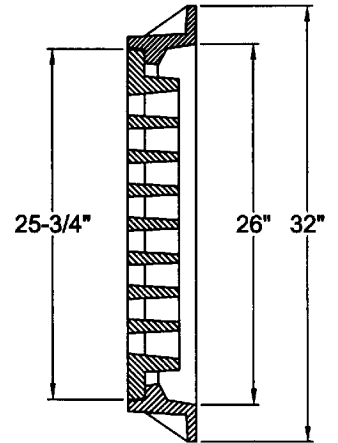
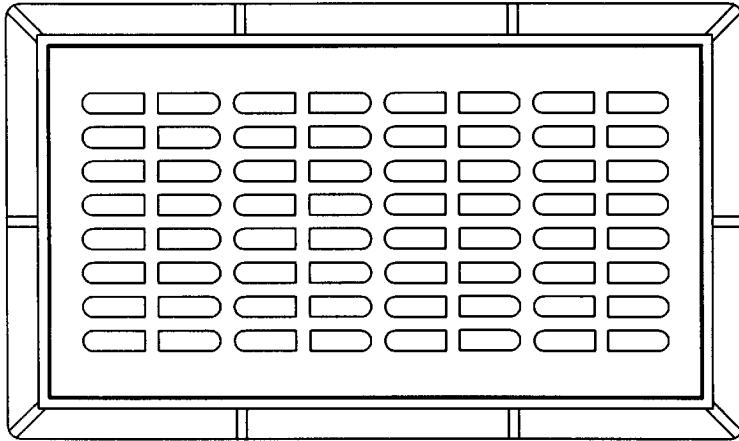
STANDARD TYPE-1 CURB INLET WITH BACK PLATE

ITEM NUMBER 22594

SUITABLE FOR A.A.S.H.T.O. H 20-44 AND HS 20-44 HIGHWAY LOADING.

CITY OF NEW YORK

DEPARTMENT OF DESIGN & CONSTRUCTION



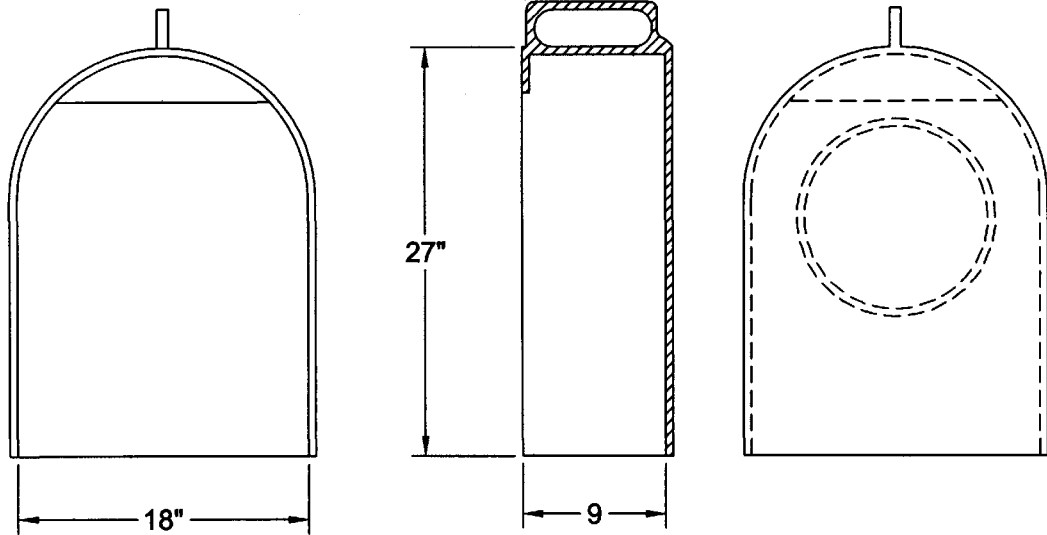
STANDARD TYPE-2 FRAME & GRATE

ITEM NUMBER 23407

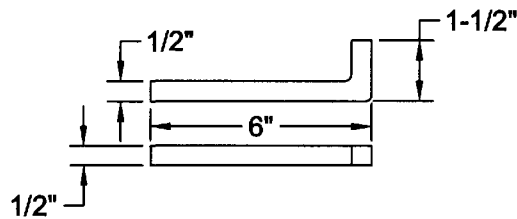
SUITABLE FOR A.A.S.H.T.O. H 20-44 AND HS 20-44 HIGHWAY LOADING.

CITY OF NEW YORK

DEPARTMENT OF DESIGN & CONSTRUCTION



CAST IRON HOOD



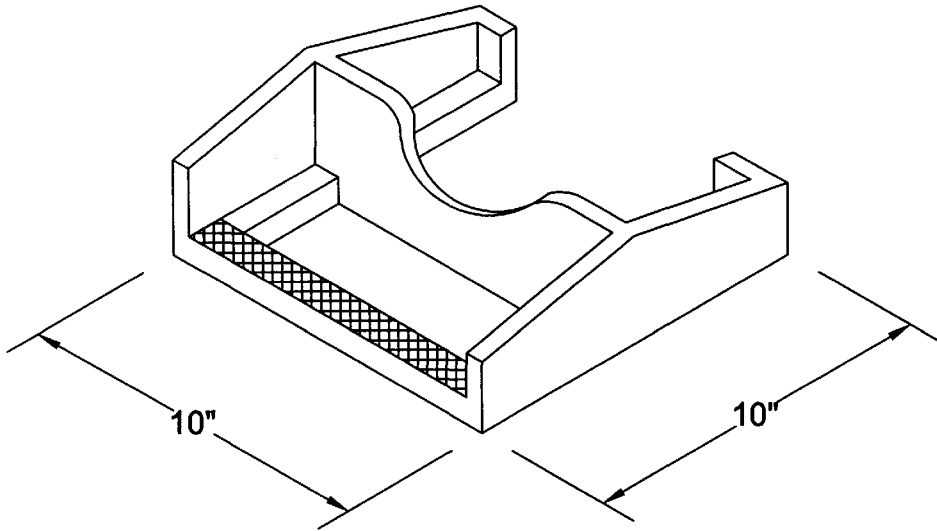
STAINLESS STEEL HOOK
(2 EACH REQUIRED PER HOOD)

STANDARD HOOD WITH HOOKS

ITEM NUMBER 22564

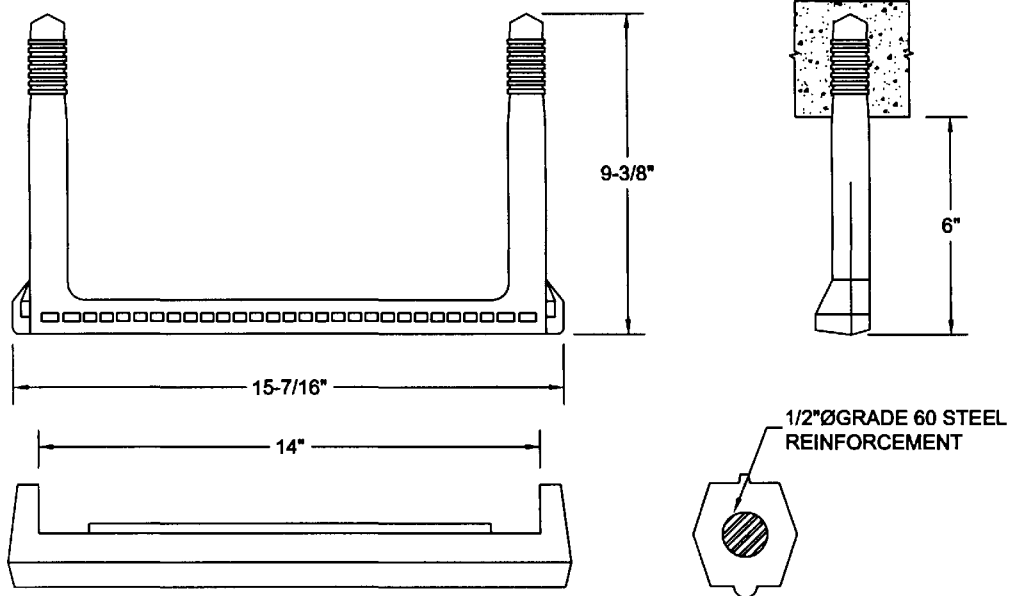
CITY OF NEW YORK

DEPARTMENT OF DESIGN & CONSTRUCTION



CAST IRON MANHOLE STEP

ITEM NUMBER GFCS1

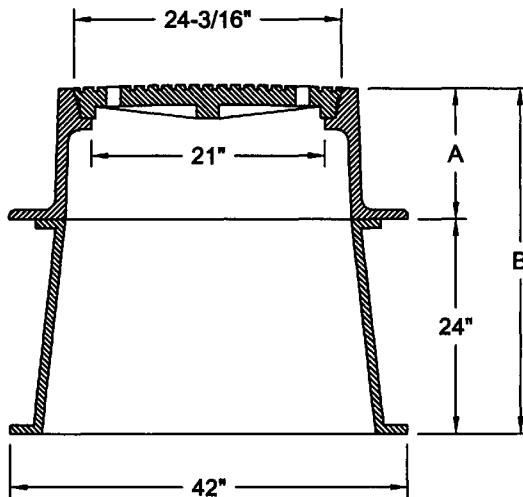
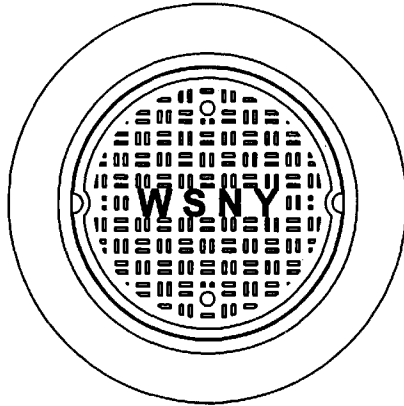


PLASTIC MANHOLE STEP

ITEM NUMBER GS2PF

CITY OF NEW YORK

DEPARTMENT OF ENVIRONMENTAL PROTECTION



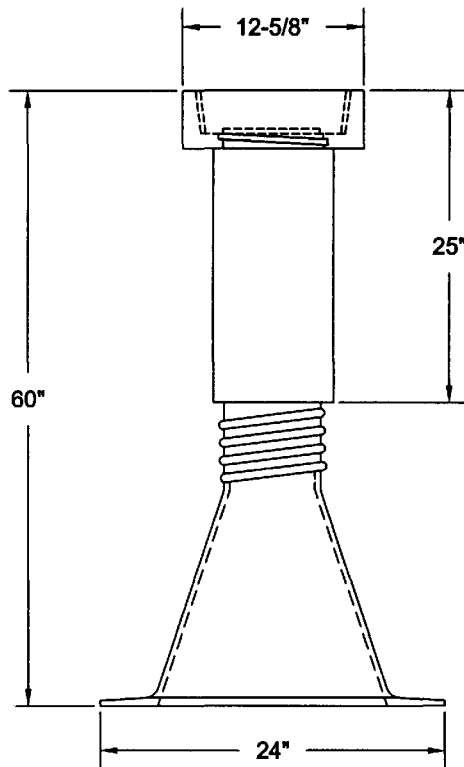
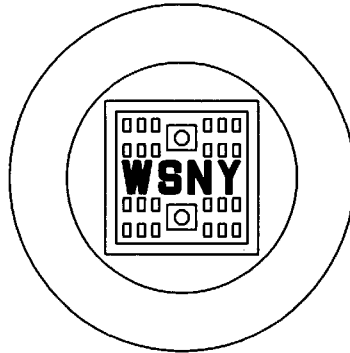
ITEM NUMBER	DIMENSIONS IN INCHES	
	A	B
34400	6	30
34403	12	36

MAINLINE VALVE BOX

SUITABLE FOR A.A.S.H.T.O. H 20-44 AND HS 20-44 HIGHWAY LOADING.

CITY OF NEW YORK

DEPARTMENT OF ENVIRONMENTAL PROTECTION



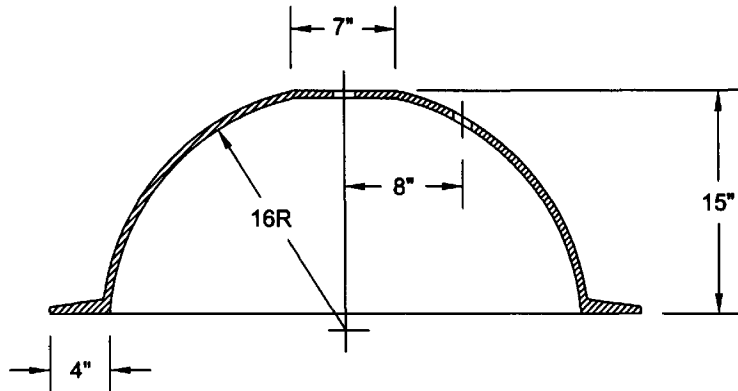
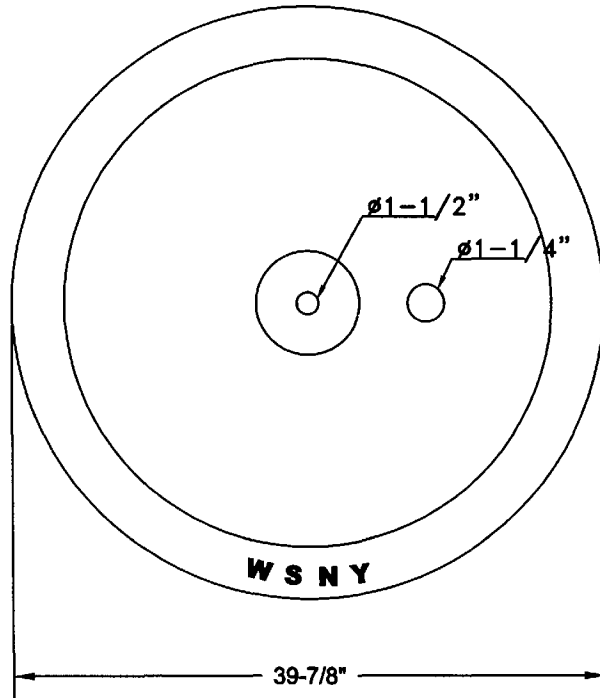
HYDRANT VALVE BOX

ITEM NUMBER 34425

SUITABLE FOR A.A.S.H.T.O. H 20-44 AND HS 20-44 HIGHWAY LOADING.

CITY OF NEW YORK

DEPARTMENT OF ENVIRONMENTAL PROTECTION



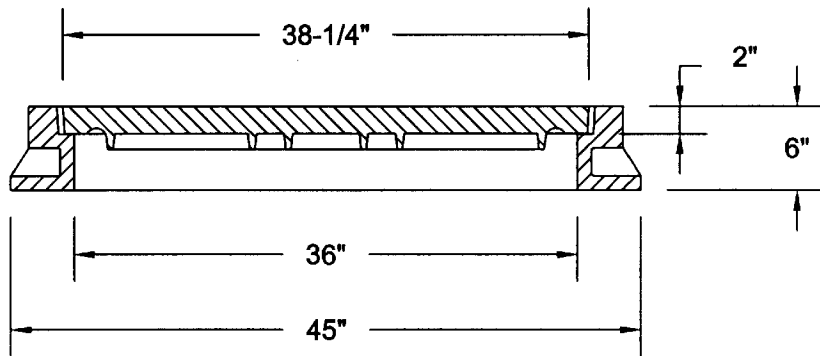
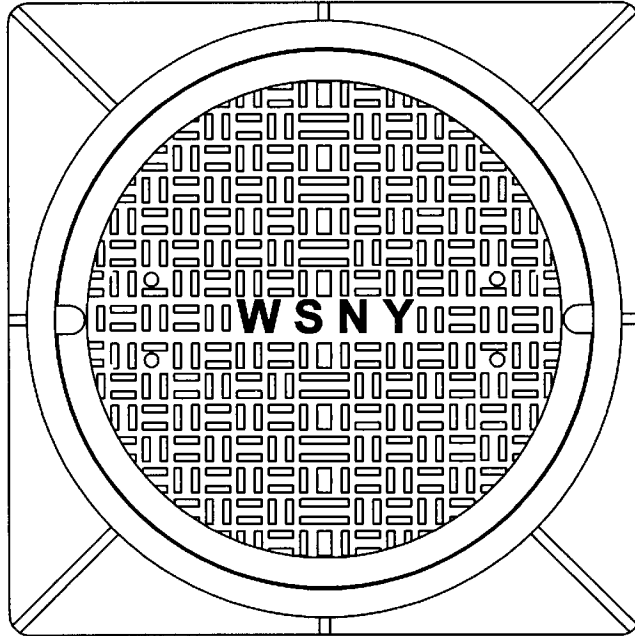
HYDRANT DRAIN BASE

ITEM NUMBER 34435

GENERAL FOUNDRIES INC.

CITY OF NEW YORK

DEPARTMENT OF ENVIRONMENTAL PROTECTION



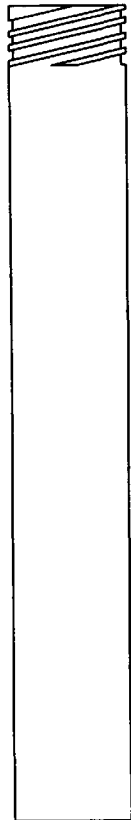
ACCESS MANHOLE FRAME & COVER

ITEM NUMBER 13861

SUITABLE FOR A.A.S.H.T.O. H 20-44 AND HS 20-44 HIGHWAY LOADING.

CITY OF NEW YORK

DEPARTMENT OF DESIGN & CONSTRUCTION



WITH REGULAR CAP

ITEM NUMBER 99001

WITH HISTORICAL CAP

ITEM NUMBER 99002

SPECIFICATIONS:

PIPE: SCHEDULE 80 STEEL PIPE, 5" DIAMETER, 75" LONG.

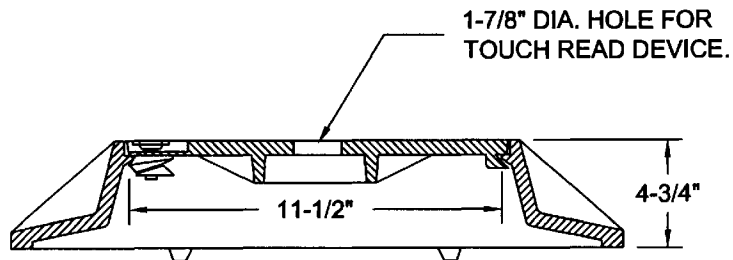
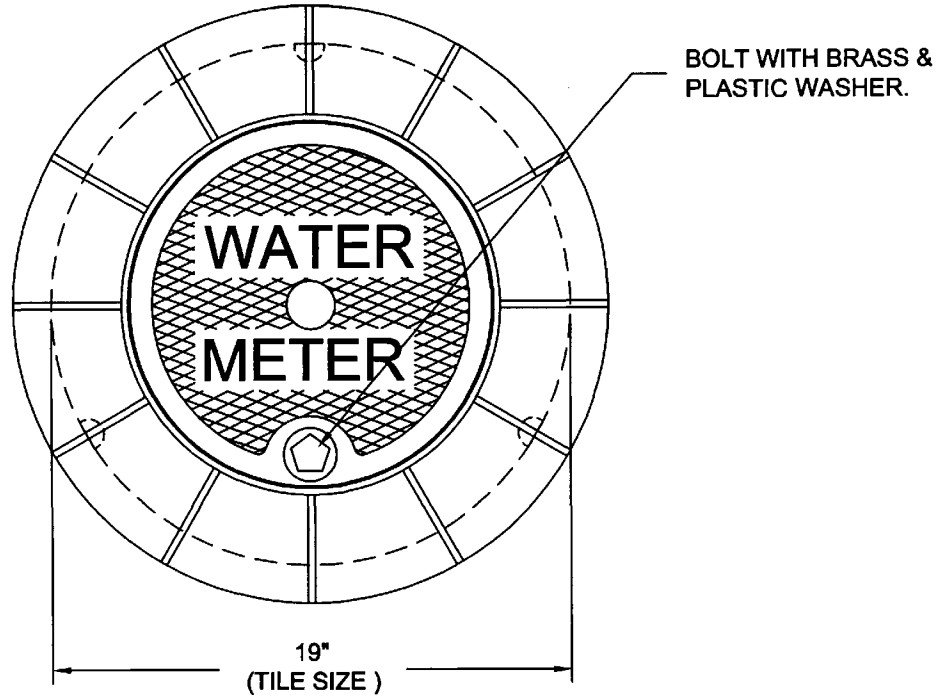
CAP: CAST IRON SCREW ON TYPE.

HYDRANT FENDERS WITH CAPS

GENERAL FOUNDRIES INC.

CITY OF NEW YORK

DEPARTMENT OF ENVIRONMENTAL PROTECTION



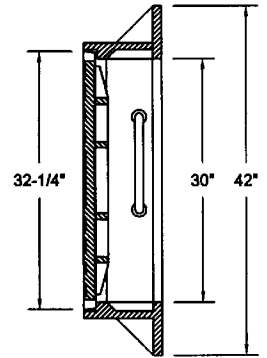
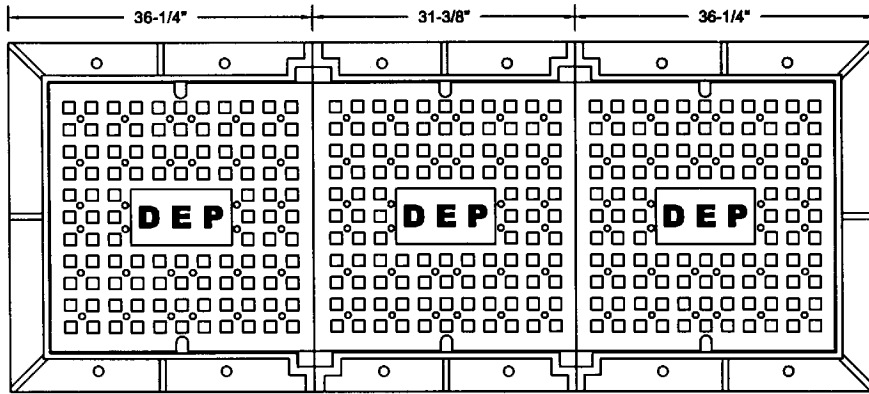
STANDARD METER PIT FRAME & COVER

ITEM NUMBER 11220

SUITABLE FOR A.A.S.H.T.O. H 20-44 AND HS 20-44 HIGHWAY LOADING.

CITY OF NEW YORK

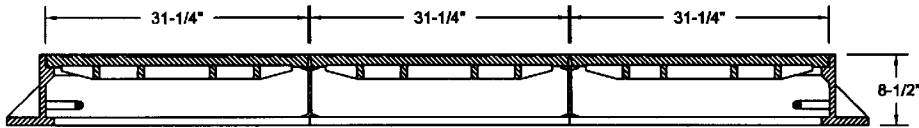
DEPARTMENT OF ENVIRONMENTAL PROTECTION



END UNIT

INTERMEDIATE UNIT

END UNIT



NOTE: 1.) ABOVE FRAMES AND COVERS WILL BE SUPPLIED UN-ASSEMBLED.

2.) MINIMUM CLEAR OPENING 30" X 60" (2 END FRAMES ASSEMBLED TOGETHER).

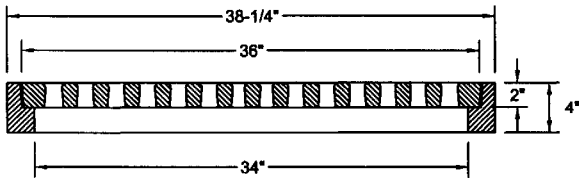
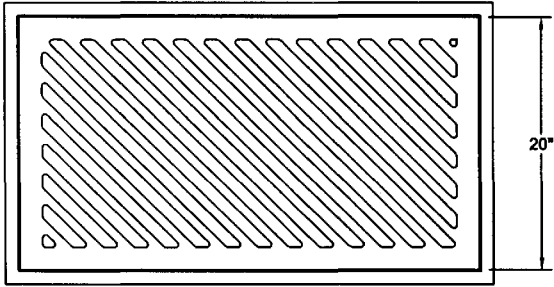
3.) EACH ADDITIONAL SET OF INTERMEDIATE FRAME & COVER ADDED BETWEEN THE END UNITS, WILL INCREASE THE OPENING LENGTH BY 31-3/8".

REGULATOR FRAMES & COVERS

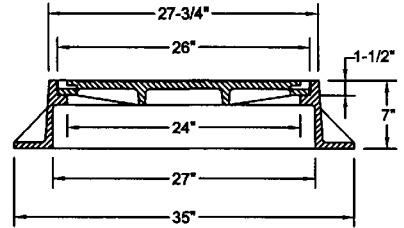
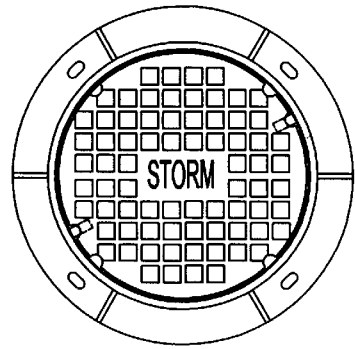
ITEM NUMBER 23008

SUITABLE FOR A.A.S.H.T.O. H 20-44 AND HS 20-44 HIGHWAY LOADING.

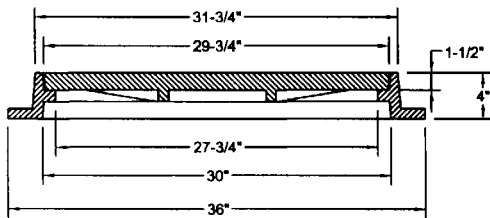
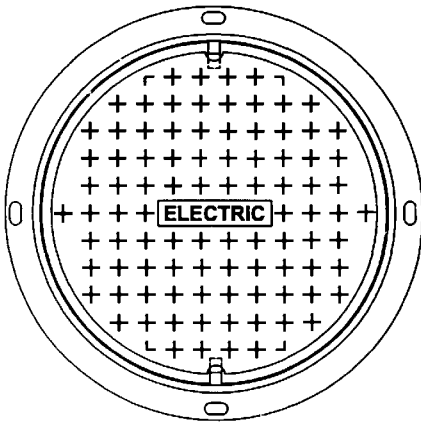
STATE OF PENNSYLVANIA



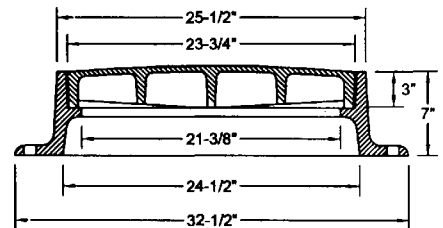
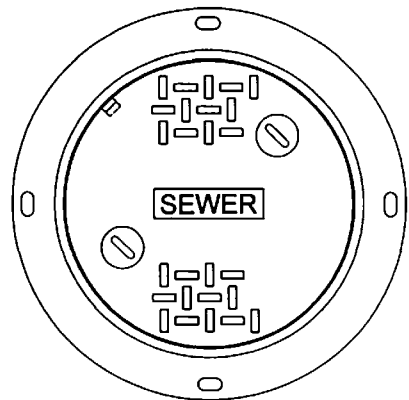
ITEM NUMBER 20364
PENN. DOT FRM. & GRT.



ITEM NUMBER 12671
ALSO AVAILABLE WITH WATERTIGHT COVER

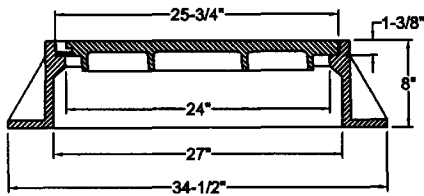
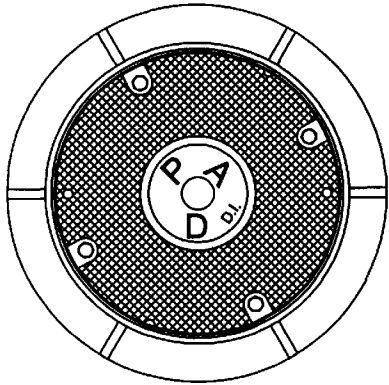


ITEM NUMBER 13041



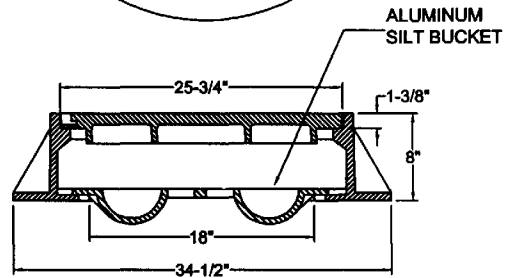
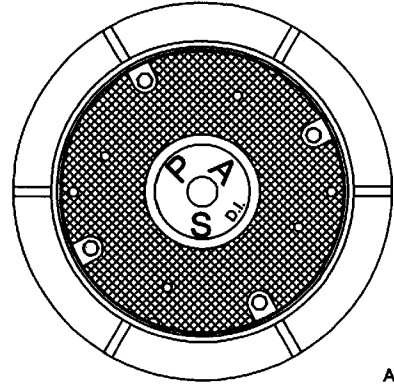
ITEM NUMBER 12478

PORT AUTHORITY OF NY & NJ



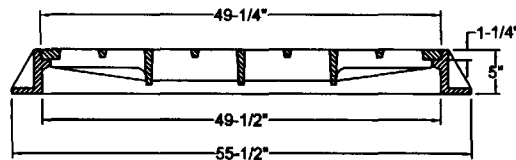
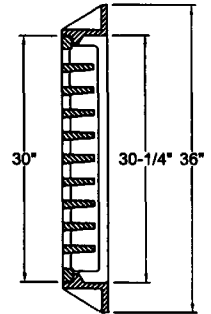
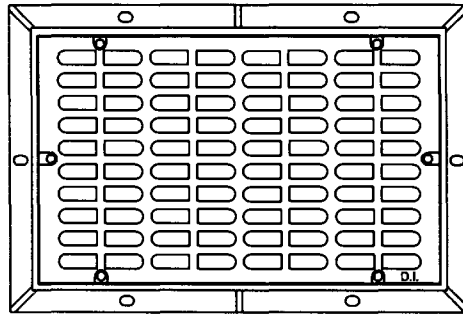
DRAINAGE MANHOLE FRAME & COVER

ITEM NUMBER 12681 PAD



SANITARY MANHOLE FRAME & COVER

ITEM NUMBER 12681 PAS

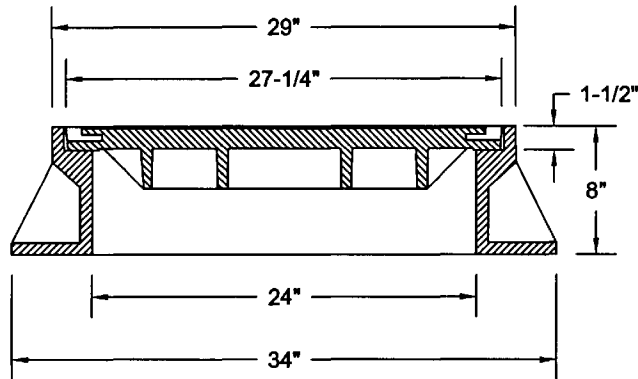
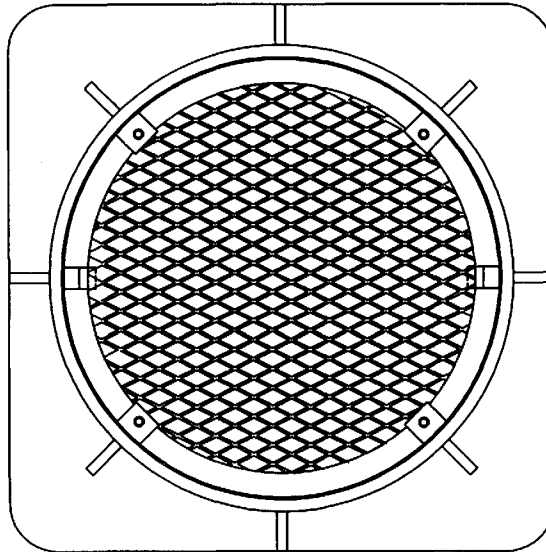


CATCH BASIN FRAME & GRATE

ITEM NUMBER 23408 PA

MATERIAL: COVERS & GRATE: DUCTILE IRON, FRAME: GRAY IRON.

PORT AUTHORITY OF NY & NJ



MATERIAL:

COVER: DUCTILE IRON ASTM A-536, GRADE 80-55-06.

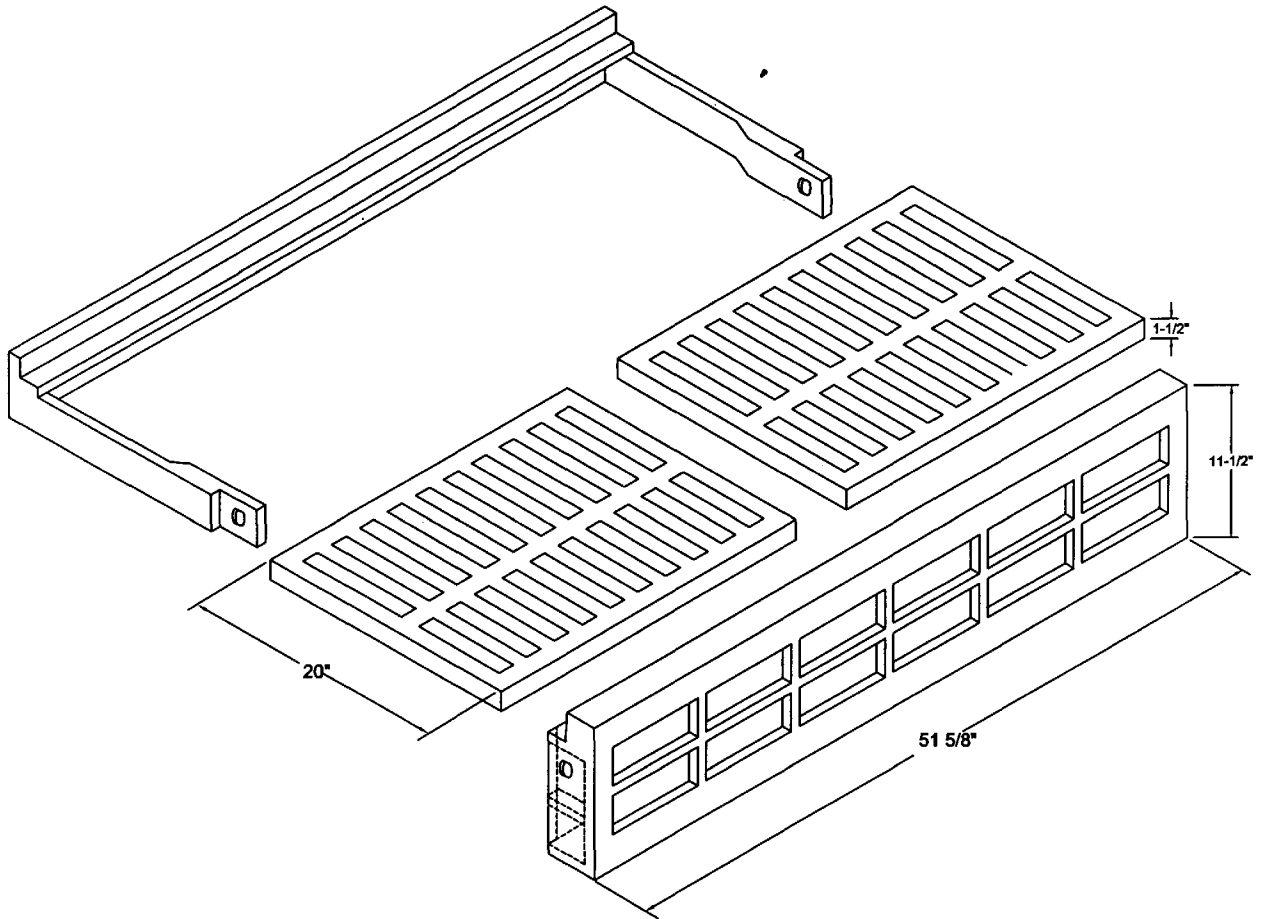
FRAME: GRAY IRON ASTM A-48, CLASS 30-B.

AIRPORT MANHOLE FRAME & COVER

ITEM NUMBER 12786

CAPABLE OF WITHSTANDING 100,000 LBS (45000 Kg) WHEEL LOADS WITH 250 Psi (1.72 Mpa) TIRE PRESSURE WITH SAFETY FACTOR OF 2.5, AS CALLED FOR IN FAA ADVISORY CIRCULAR AC 150/5320-6D.

PORT AUTHORITY OF NY & NJ

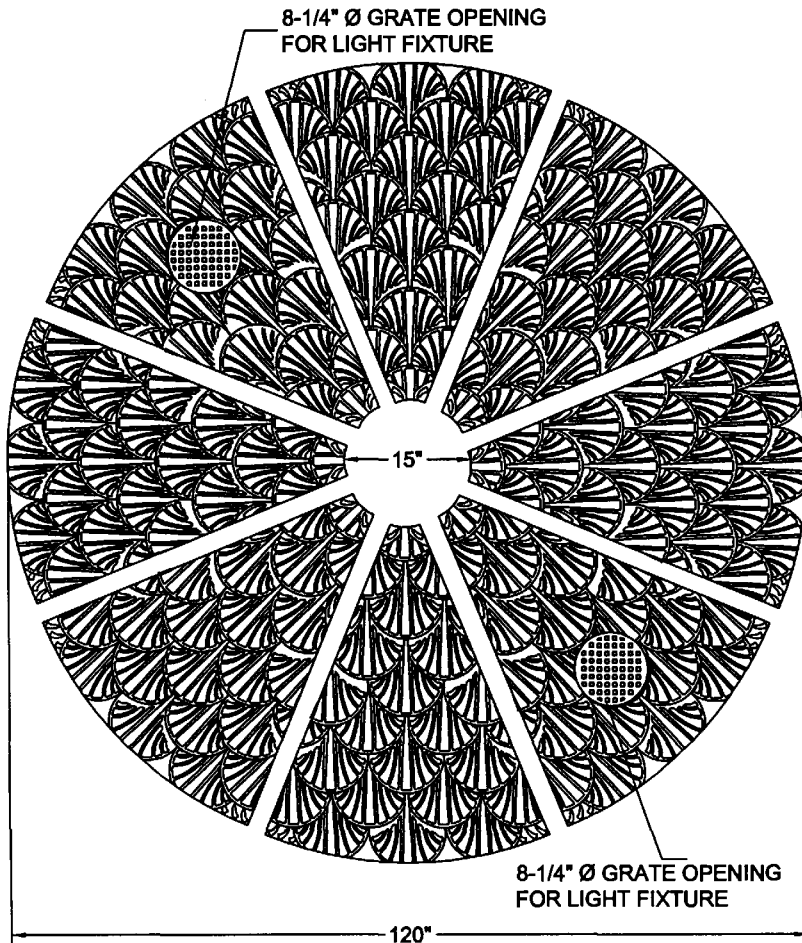


AIRPORT TRENCH / CURB INLET FRAMES & GRATES

ITEM NUMBER JFKCI

SUITABLE FOR A.A.S.H.T.O. H 20-44 AND HS 20-44 HIGHWAY LOADING.

PORT AUTHORITY OF NY & NJ

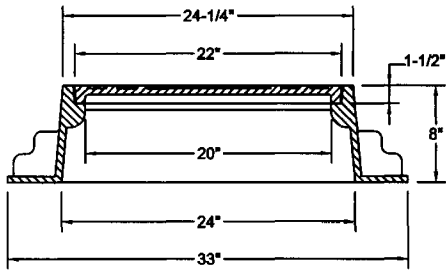
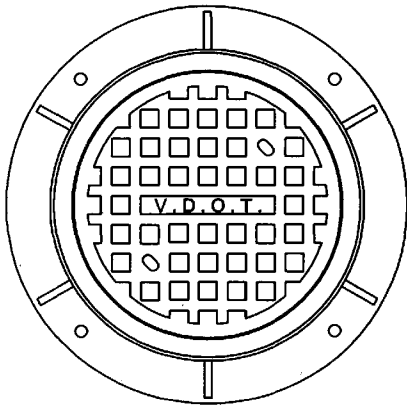


WORLD TRADE CENTER TREE GRATE

ITEM NUMBER WTCTG

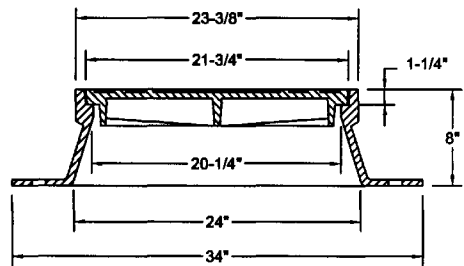
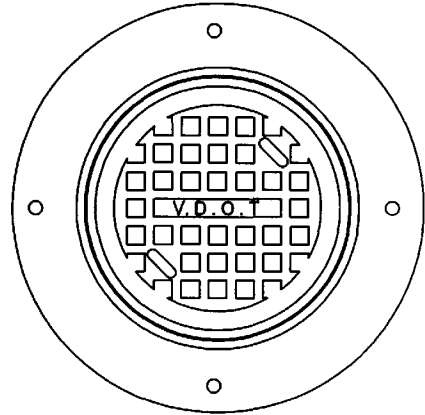
VIRGINIA

DEPARTMENT OF TRANSPORTATION



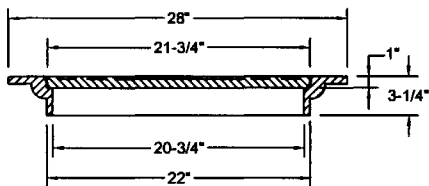
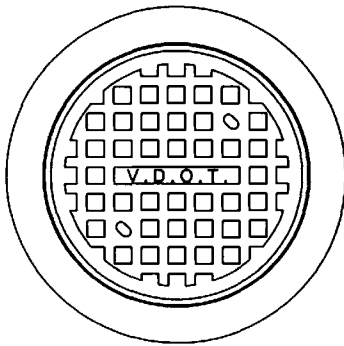
VDOT - STD. MH1 RIBBED FRAME & COVER

ITEM NUMBER 12281



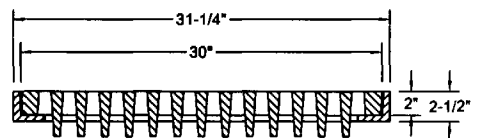
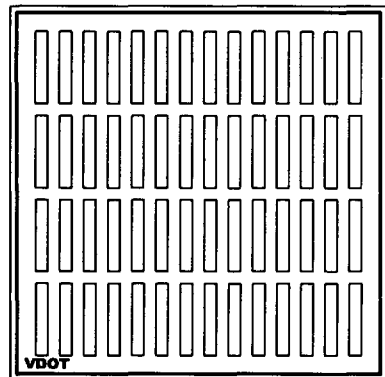
STD. MH FRAME & COVER

ITEM NUMBER 12283



VDOT - INLET FRAME & COVER

ITEM NUMBER 12231

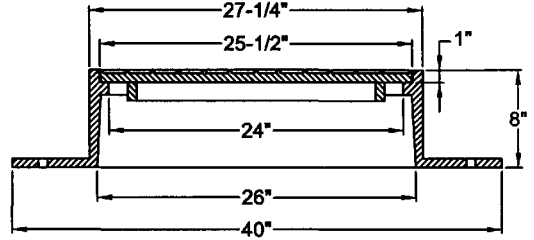
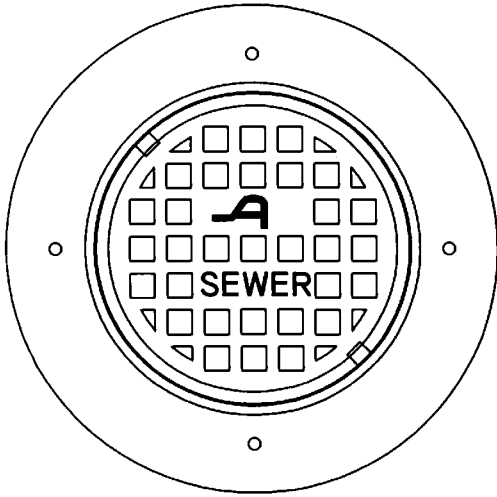


VDOT - STD. DROP INLET FRAME & GRATE

ITEM NUMBER 23020

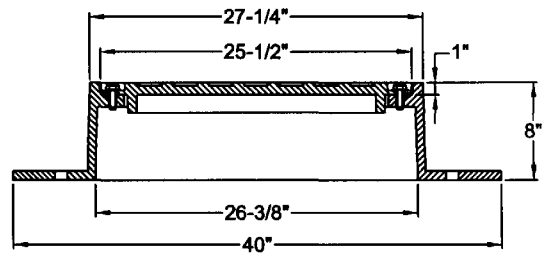
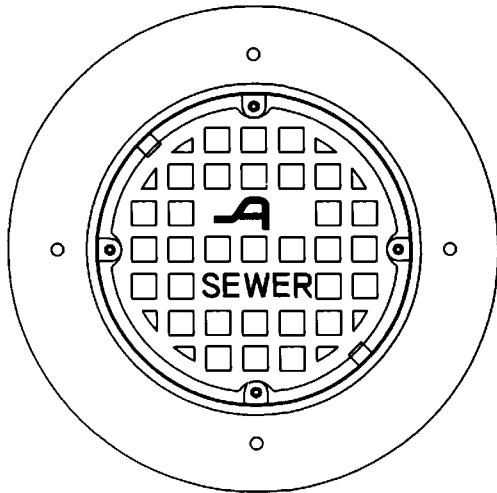
VIRGINIA

PRINCE WILLIAM COUNTY



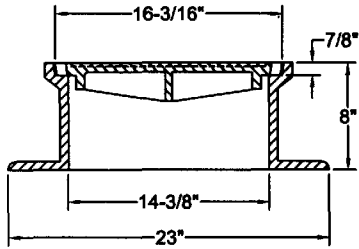
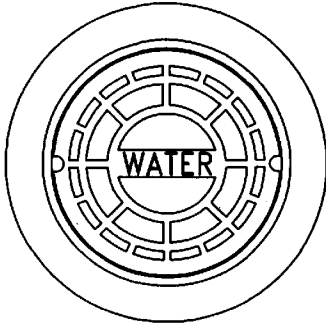
STANDARD FRAME & COVER

ITEM NUMBER 12581



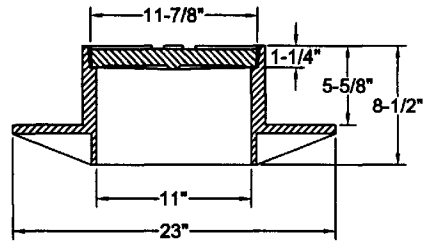
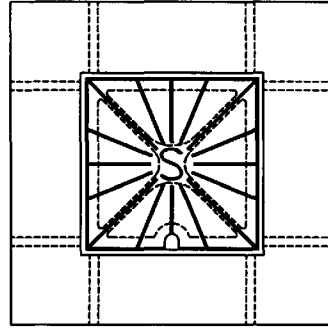
STANDARD WATERTIGHT FRAME & COVER

ITEM NUMBER 12586



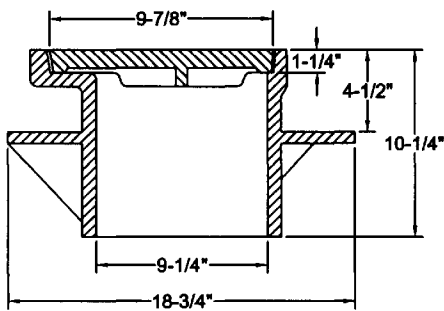
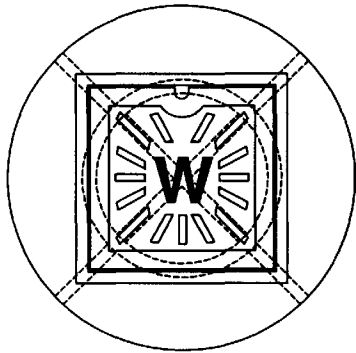
NEWPORT NEWS VALVE BOX

ITEM NUMBER 3NNVB



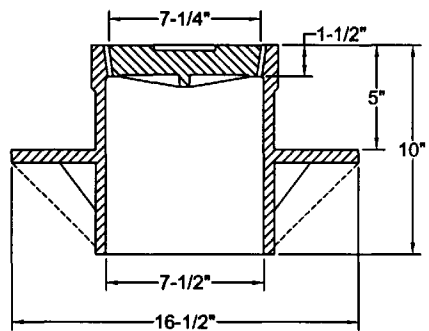
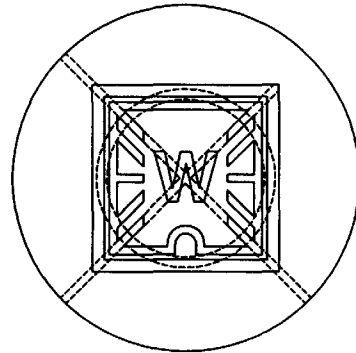
NORFOLK INSPECTION BOX

ITEM NUMBER 30NIB



NORFOLK 8" VALVE BOX

ITEM NUMBER 3N8VB

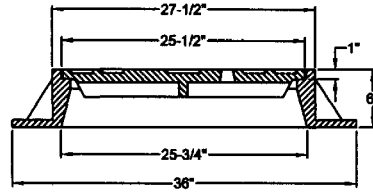
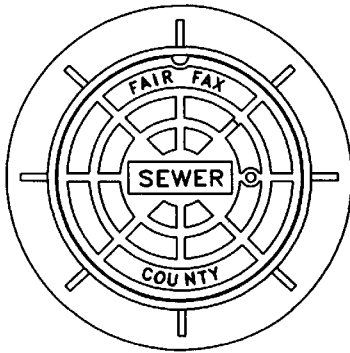


NORFOLK 6" VALVE BOX

ITEM NUMBER 3N6VB

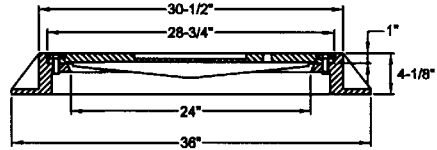
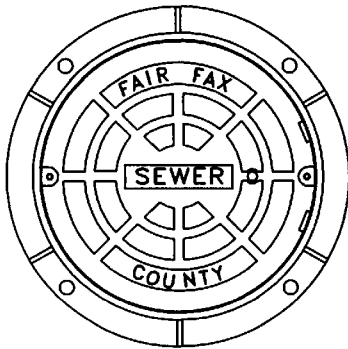
VIRGINIA

FAIRFAX COUNTY



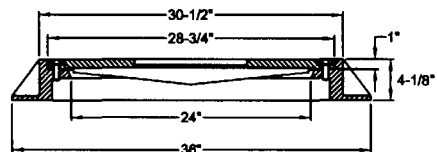
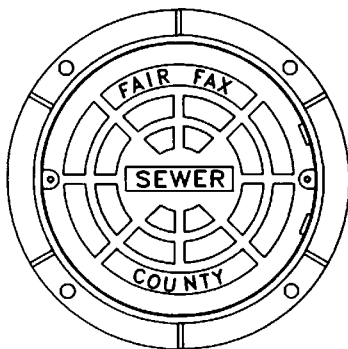
STANDARD ROADWAY BOLT DOWN FRAME & COVER

ITEM NUMBER 12561



STANDARD ROADWAY BOLT DOWN FRAME & COVER

ITEM NUMBER 12947

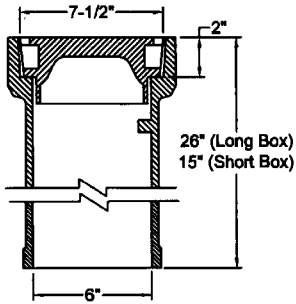
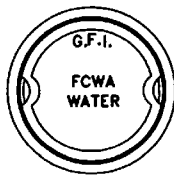


STANDARD WATERTIGHT LOCKING FRAME & COVER

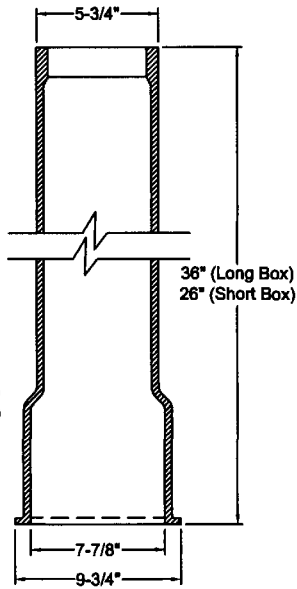
ITEM NUMBER 12946

VIRGINIA

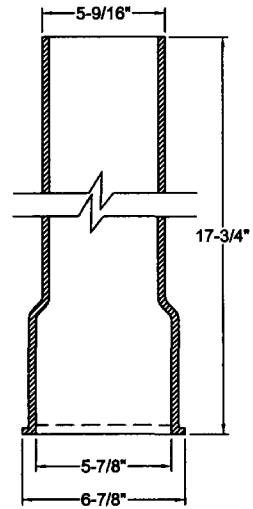
FAIRFAX COUNTY WATER AUTHORITY



TOP & LID



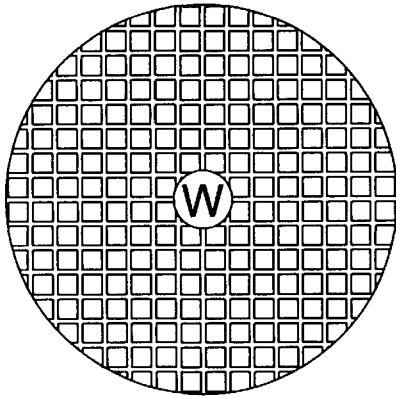
BOTTOM



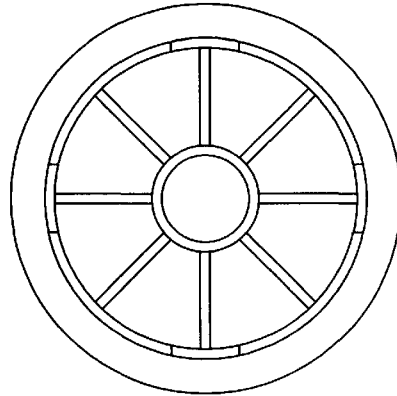
EXTENSION

VALVE BOXES

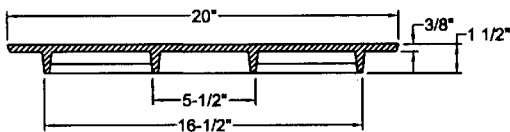
FCWVB



TOP VIEW



BACK VIEW

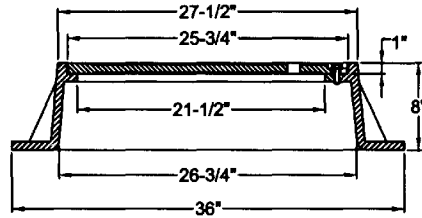
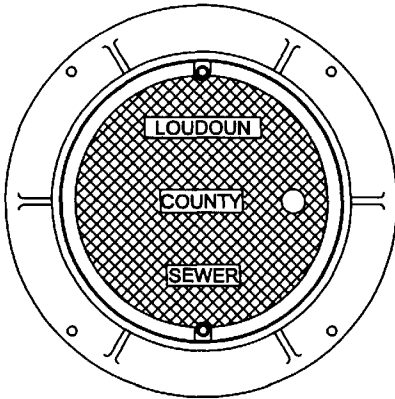


METERBOX COVER

FCWMC

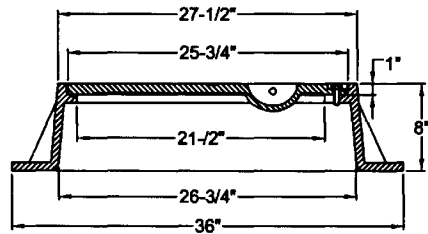
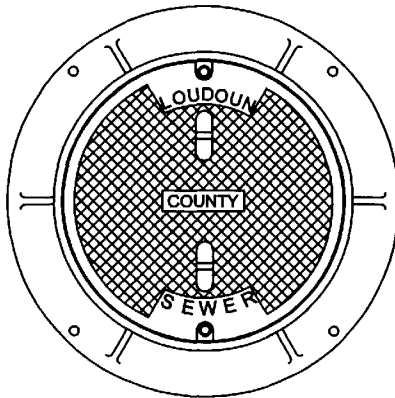
VIRGINIA

LOUDOUN COUNTY SANITATION AUTHORITY



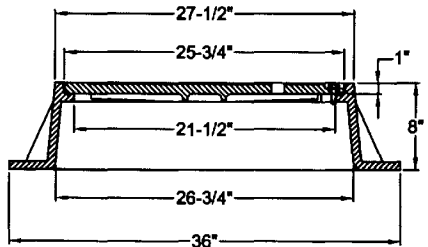
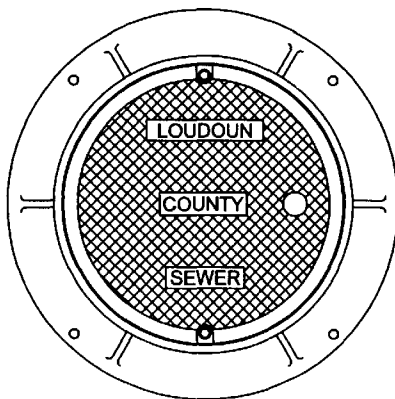
STANDARD MANHOLE FRAME & COVER

ITEM NUMBER L2687



WATERTIGHT MANHOLE FRAME & COVER

ITEM NUMBER L2686



EXTRA HEAVY DUTY MANHOLE COVER & FRAME

ITEM NUMBER L2681