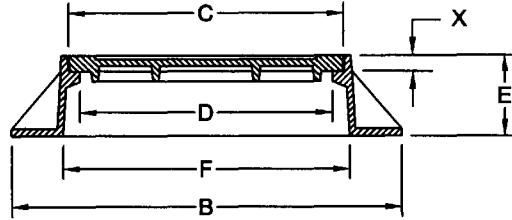
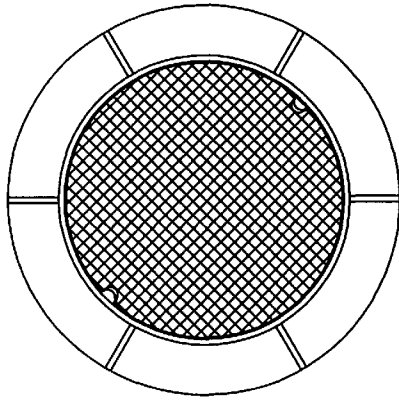


ITEM NUMBER	DIMENSIONS IN INCHES					
	B	C	D	E	F	X
11237	16-1/2	12	10-1/2	3	12-1/4	1
11837	22-1/2	18	16-1/2	3	18-1/4	1
12037	24-1/2	20	18-1/2	3	20-1/4	1
12437	28	23-3/4	22	3	24	1
13037	36	29-3/4	27-3/4	3	30	1

**LIGHT DUTY MANHOLE FRAMES & COVERS**

**REVERSIBLE TYPE FRAMES**



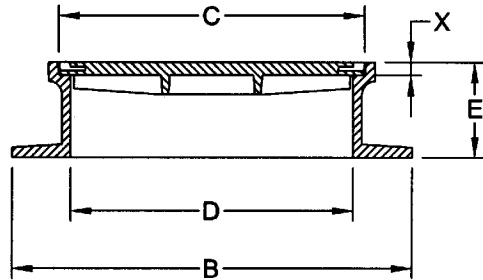
ITEM NUMBER	DIMENSIONS IN INCHES					
	B	C	D	E	F	X
12441	32	24	22-3/8	4	24-1/4	1-3/8
12461	34	24	22-3/8	6	24	1-3/8
12471	34	24	22-1/2	7	24-7/16	1-3/8
12481	34	24	22-3/8	8	24-5/8	1-3/8
12661	34	25-3/4	24	6	26-5/8	1-3/8
12681	34-1/2	25-3/4	24	8	27	1-3/8
12741	39	26-3/4	24	4	27	1-1/2
12782	39	26-3/4	24	8	27	1-1/2
13241*	38	32	30-1/4	4	30-1/4	1-1/2
13251	39	31-5/8	30	4	32-1/2	1-3/4
13261	39	31-5/8	30	6	32-1/2	1-3/4
13271	43	32	30	6-1/2	32	1-1/2
13281	39	31-5/8	30	8	32-1/2	1-3/4

\*COVER HAS TWO DROP HANDLES INSTEAD OF PICK HOLES.

NOTE: FRAME SHOWN WITH PLAIN COVER. ALSO AVAILABLE WITH SEWER, SANITARY SEWER, STORM, DRAIN, WATER, ELECTRIC, TELEPHONE, etc. MARKINGS ON THE COVER.

**HEAVY DUTY MANHOLE FRAMES & COVERS**

SUITABLE FOR A.A.S.H.T.O. H 20-44 AND HS 20-44 HIGHWAY LOADING.

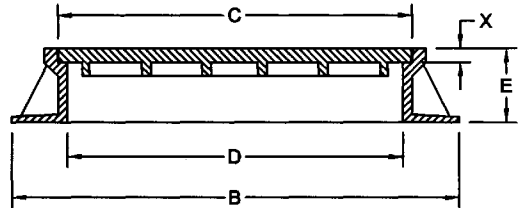
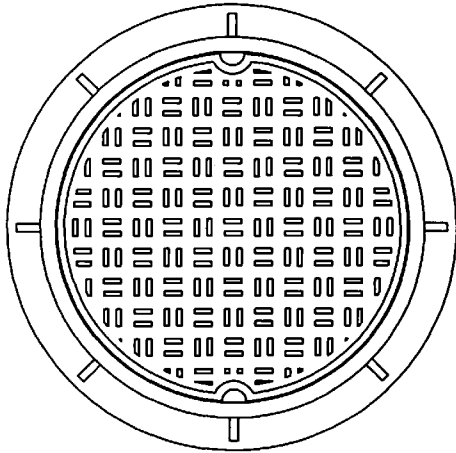


ITEM NUMBER	DIMENSIONS IN INCHES				
	B	C	D	E	X
12645	34	26	24	4	1-1/8
12665	34	26	24	6	1-1/8
12685	34	26	24	8-1/8	1-1/8
12695	40	25-1/2	25-3/8	9	1-3/4

NOTE: FRAME SHOWN WITH SEWER COVER. ALL ITEMS ARE ALSO AVAILABLE WITH DRAIN, WATER, AND PLAIN COVER.

## HEAVY DUTY MANHOLE FRAMES & COVERS

SUITABLE FOR A.A.S.H.T.O. H 20-44 AND HS 20-44 HIGHWAY LOADING.

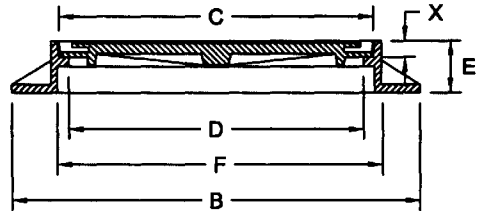
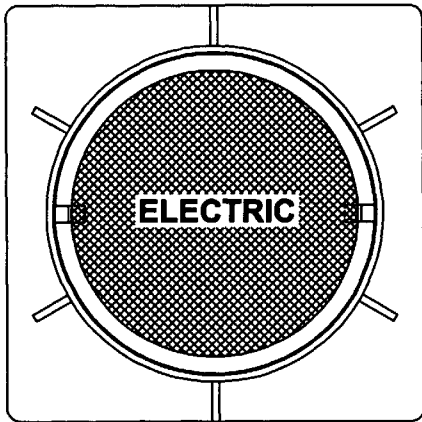


ITEM NUMBER	DIMENSIONS IN INCHES				
	B	C	D	E	X
13687	48	37-3/4	36	8	1-1/2

NOTE: FRAME SHOWN WITH PLAIN COVER. ALSO AVAILABLE WITH DRAIN, ELECTRIC AND COMMUNICATIONS MARKINGS ON THE COVER.

**HEAVY DUTY MANHOLE FRAME & COVER**

SUITABLE FOR A.A.S.H.T.O. H 20-44 AND HS 20-44 HIGHWAY LOADING.

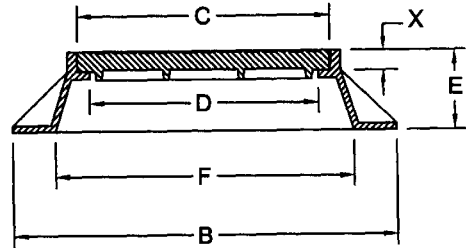
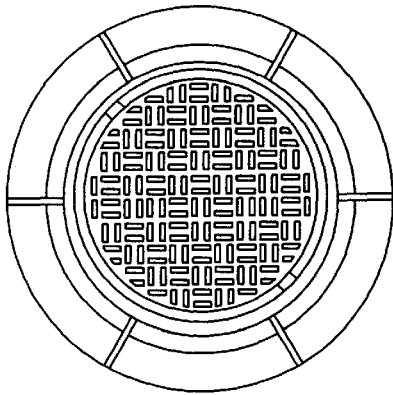


ITEM NUMBER	DIMENSIONS IN INCHES					
	B	C	D	E	F	X
12448	31-1/4	24	22-1/2	4	24-1/4	1-3/8
12858	36	27-1/2	26	5	28	1

NOTE: 1.) ITEM 12448 IS ALSO AVAILABLE WITH PLAIN, SEWER, SANITARY SEWER, STORM, DRAIN, WATER, TELEPHONE etc. MARKINGS ON THE COVER.  
 2.) ITEM 12858 IS MARKED "COM ELECTRIC" AND HAS TWO 1" DIAMETER VENT HOLES.

## HEAVY DUTY MANHOLE FRAMES & COVERS

SUITABLE FOR A.A.S.H.T.O. H 20-44 AND HS 20-44 HIGHWAY LOADING.

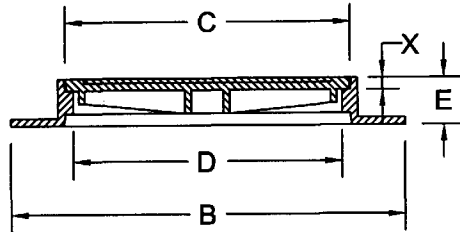
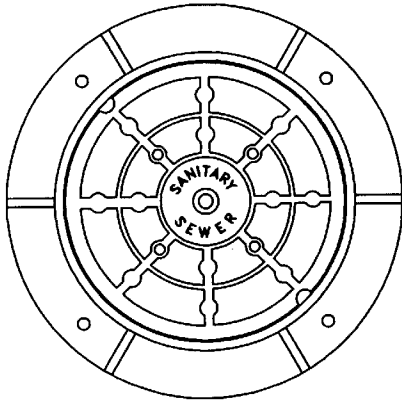


ITEM NUMBER	DIMENSIONS IN INCHES					
	B	C	D	E	F	X
12583	39	25-3/8	23	8	31	2
12683	39	25-3/4	24	8	32	1-3/8

NOTE: FRAME SHOWN WITH PLAIN COVER. ALSO AVAILABLE WITH SEWER MARKING ON THE COVER.

**HEAVY DUTY MANHOLE FRAMES & COVERS**

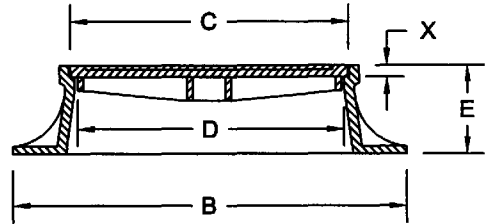
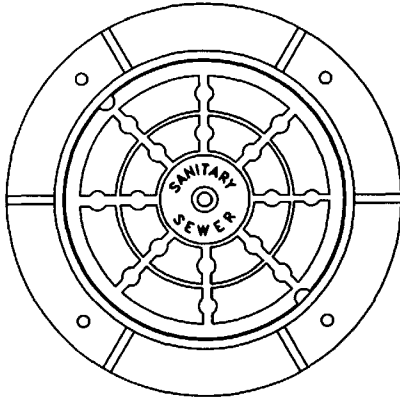
SUITABLE FOR A.A.S.H.T.O. H 20-44 AND HS 20-44 HIGHWAY LOADING.



ITEM NUMBER	DIMENSIONS IN INCHES					VENT HOLES	MARKING
	B	C	D	E	X		
12341SS0	29-13/16	23-1/2	22-1/4	4	1	NONE	SAS
12341SS4	29-13/16	23-1/2	22-1/4	4	1	4	SAS
12341SM0	29-13/16	23-1/2	22-1/4	4	1	NONE	SMS

## HEAVY DUTY MANHOLE FRAMES & COVERS

SUITABLE FOR A.A.S.H.T.O. H 20-44 AND HS 20-44 HIGHWAY LOADING

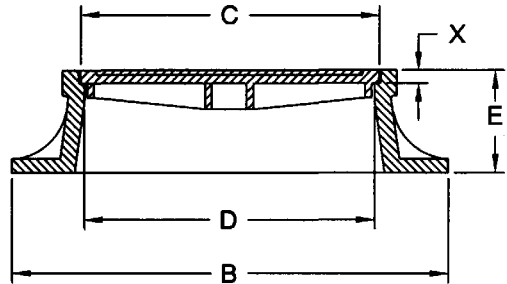
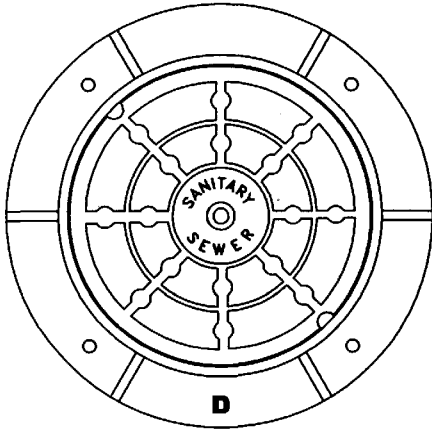


ITEM NUMBER	DIMENSIONS IN INCHES					VENT HOLES	MARKING
	B	C	D	E	X		
12371SS0	33-1/4	23-1/2	22-1/4	7-1/2	1	NONE	SAS
12371SS4	33-1/4	23-1/2	22-1/4	7-1/2	1	4	SAS
12371SS2	33-1/4	23-1/2	22-1/4	7-1/2	1	2	SAS
12371SS1	33-1/4	23-1/2	22-1/4	7-1/2	1	1	SAS
12371WT0	33-1/4	23-1/2	22-1/4	7-1/2	1	NONE	WTR
12371SM0	33-1/4	23-1/2	22-1/4	7-1/2	1	NONE	SMS

**HEAVY DUTY MANHOLE FRAMES & COVERS**

SUITABLE FOR A.A.S.H.T.O. H 20-44 AND HS 20-44 HIGHWAY LOADING



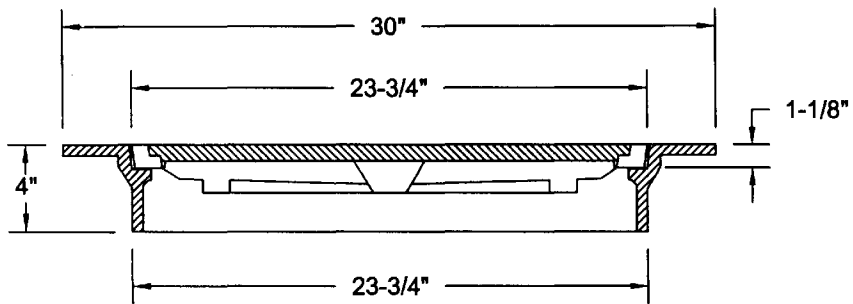
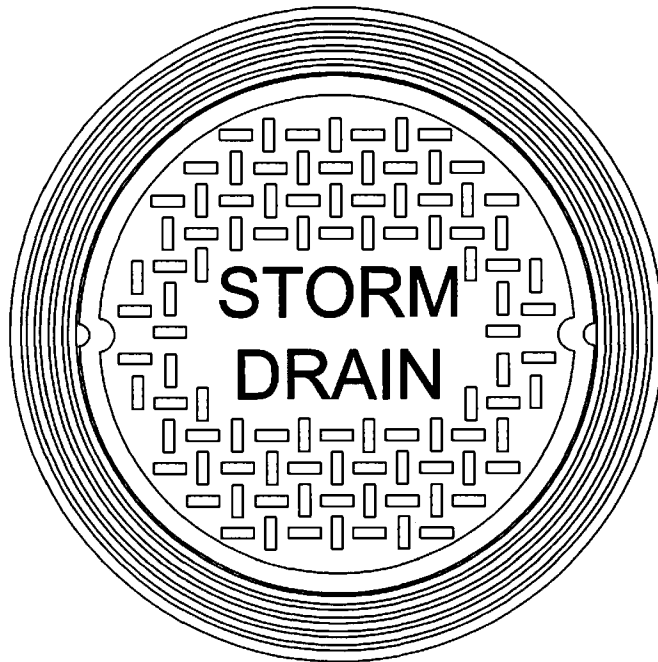


ITEM NUMBER	DIMENSIONS IN INCHES					VENT HOLES	MARKING
	B	C	D	E	X		
12372SS0	33-1/4	23-1/2	22-1/4	7-1/2	1	NONE	SAS
12372SS4	33-1/4	23-1/2	22-1/4	7-1/2	1	4	SAS

NOTE: ALSO AVAILABLE STORM SEWER, WATER AND SANITARY SEWER COVERS.

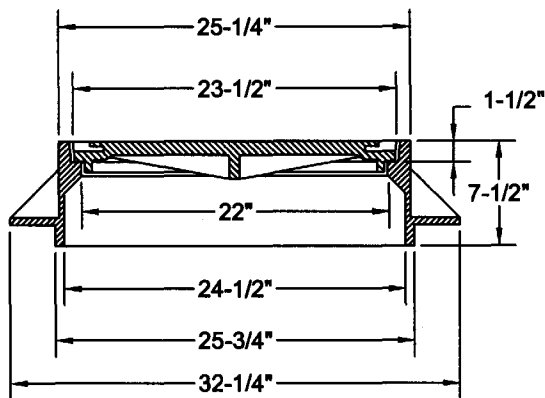
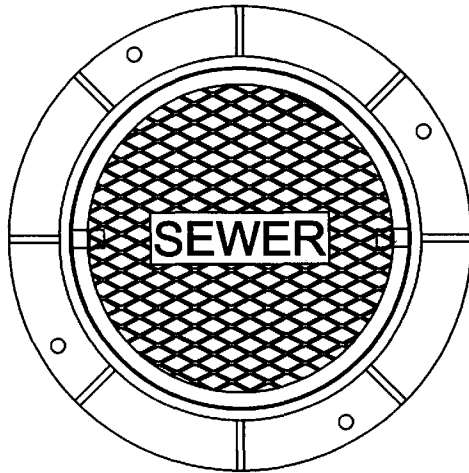
**HEAVY DUTY MANHOLE FRAMES & COVERS**

SUITABLE FOR A.A.S.H.T.O. H 20-44 AND HS 20-44 HIGHWAY LOADING



**NON-TRAFFIC SIDEWALK FRAME & COVER**

ITEM NUMBER 12354

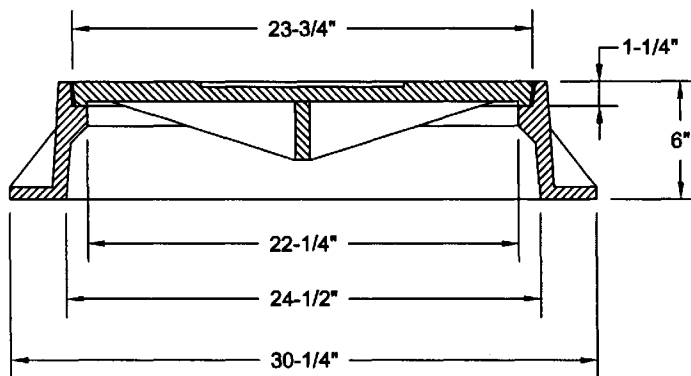


NOTE: ALSO AVAILABLE WITH SANITARY SEWER COVER.

**HEAVY DUTY MANHOLE FRAME & COVER**

ITEM NUMBER 12373

SUITABLE FOR A.A.S.H.T.O. H 20-44 AND HS 20-44 HIGHWAY LOADING.

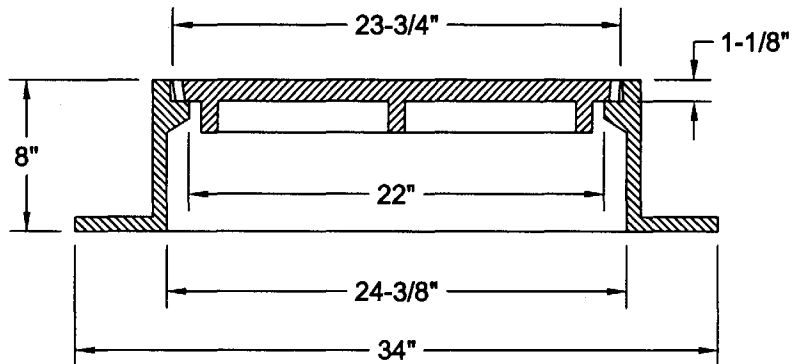
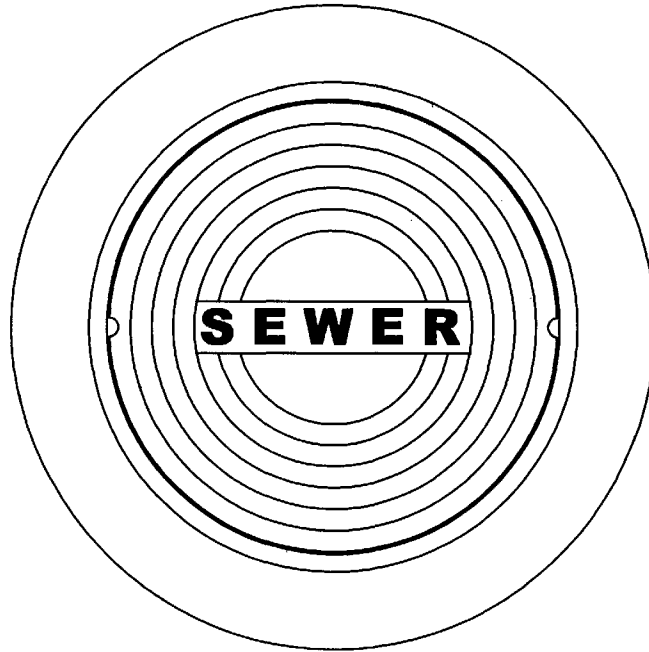


NOTE: ALSO AVAILABLE WITH WATER, SEWER & STORM COVERS.

## HEAVY DUTY MANHOLE FRAME & COVER

ITEM NUMBER 12361

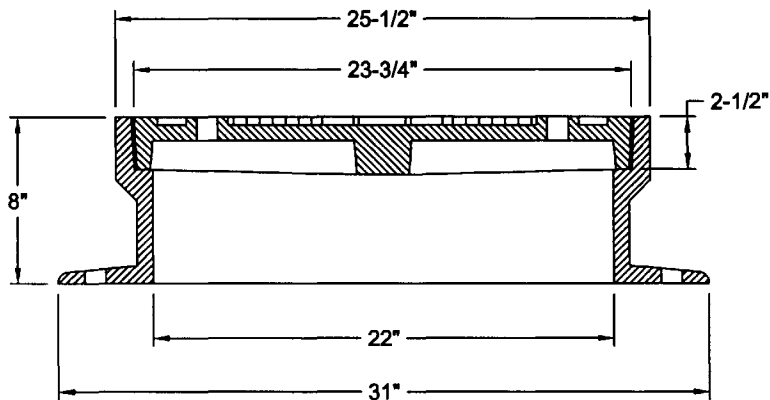
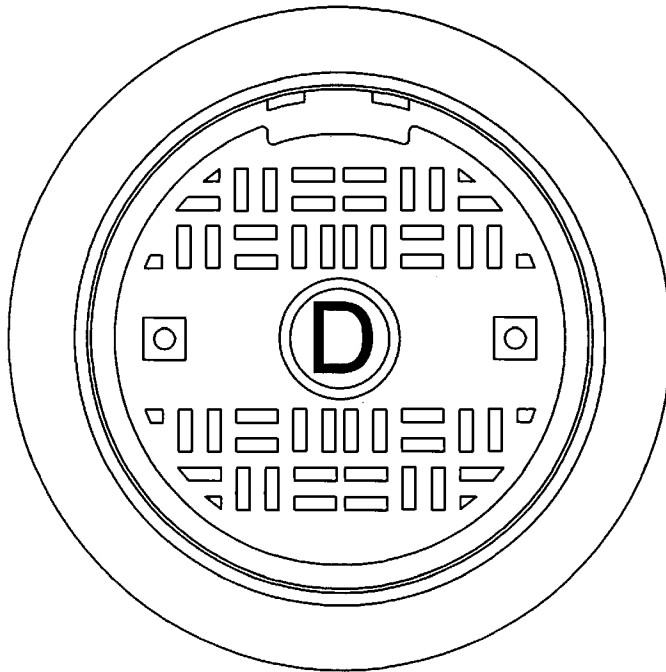
SUITABLE FOR A.A.S.H.T.O. H 20-44 AND HS 20-44 HIGHWAY LOADING.



**HEAVY DUTY MANHOLE FRAME & COVER**

ITEM NUMBER 12381

SUITABLE FOR A.A.S.H.T.O. H 20-44 AND HS 20-44 HIGHWAY LOADING.



**HEAVY DUTY MANHOLE FRAME & COVER**

ITEM NUMBER 12382

SUITABLE FOR A.A.S.H.T.O. H 20-44 AND HS 20-44 HIGHWAY LOADING.