

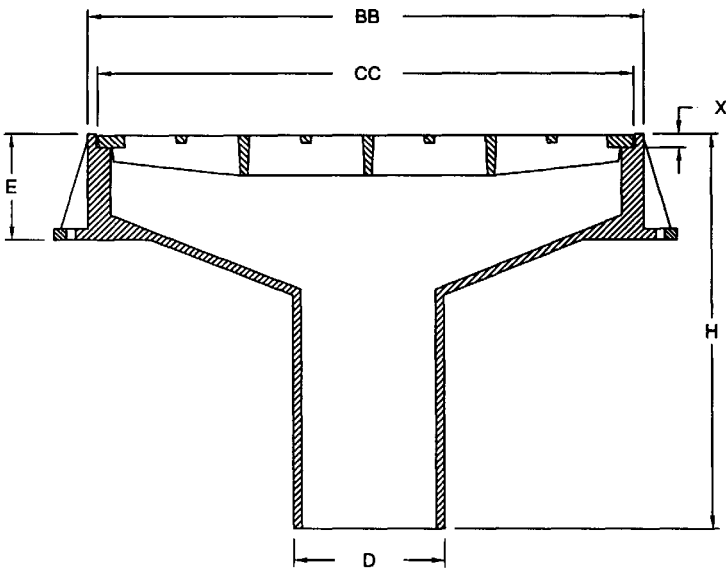
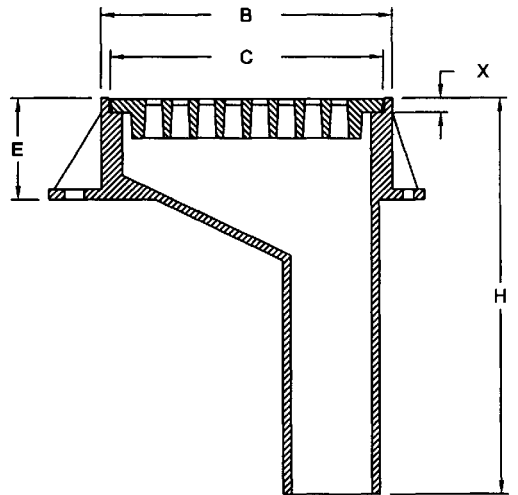
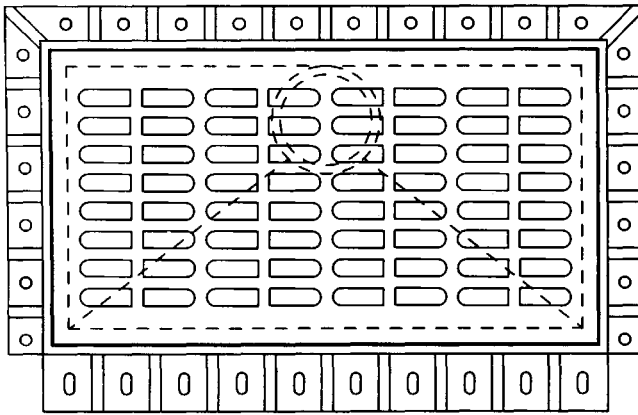
ITEM NUMBER	DIMENSIONS IN INCHES				
	A	C	D	E	X
21224	3-3/4	12	9-3/4	2-3/4	2
21424	3-3/4	14	11-3/4	2-3/4	2
22024	3-3/4	20	17-3/4	2-3/4	2
22424	3-3/4	24	21-3/4	2-3/4	2

NOTE: EACH TRENCH GRATE IS 24" LONG, WHEREAS, EACH TRENCH FRAME IS 48" LONG. THE 4' SECTION SHOWN ABOVE CONSISTS OF 2 FRAMES AND 2 GRATES.

HEAVY DUTY TRENCH FRAMES AND GRATES

SUITABLE FOR A.A.S.H.T.O. H 20-44 AND HS 20-44 HIGHWAY LOADING

MATERIAL: GRAY IRON: ASTM A 48/A 48M - 03, CLASS 30B



NOTE:

- 1.) AVAILABLE IN SEVERAL SHAPES & SIZES.
- 2.) MATERIAL: GRAY / DUCTILE IRON.

BRIDGE SCUPPERS & GRATES

ITEM NO. BRGFG