

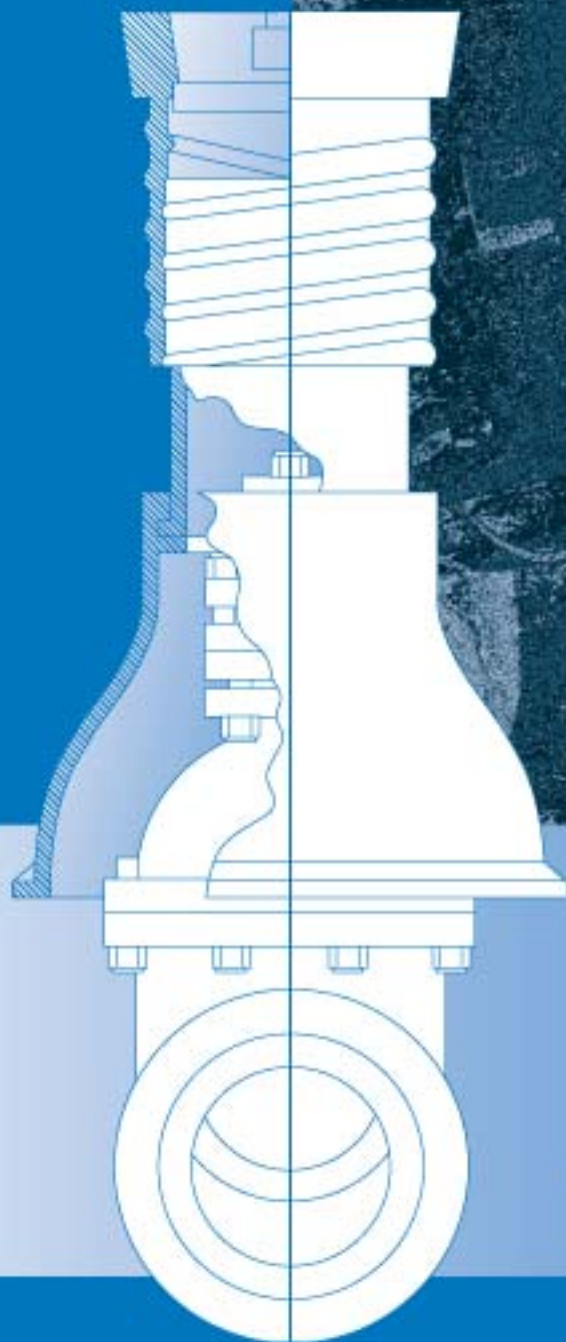


Pollardwater.com

THE PROFESSIONAL'S CHOICE

www.pollardwater.com

TOLL FREE 800-437-1146



BINGHAM & TAYLOR

PLASTIC & COMBINATION
PRODUCTS

QUALITY PRODUCTS
CRAFTED WITH PRIDE
IN AMERICA



BINGHAM & TAYLOR

PLASTIC & COMBINATION BOXES

Foreward

The Plastic Service, Roadway and Valve Boxes depicted in this catalog are the product of extensive research and development by the team of Bingham & Taylor. These products were developed to further the needs of our customers and to offer an alternative to the use of our cast iron products.

CONTINUITY OF DESIGN: We are the original patentee of the Buffalo Style design. This design has been in use for over a century and is used extensively by Natural Gas and Water Utilities throughout the world.

INTERCHANGEABILITY: Every effort has been made to make our Cast Iron and Plastic Box parts interchangeable. We have utilized the Buffalo Style in most of the boxes shown. Cast Iron top sections and lids can be used interchangeably with our plastic boxes.

DEPENDABILITY: A.B.S. (Acrylonitrile- Butadiene-Styrene) Plastic is high impact and wear resistant. This material has no aging qualities. Therefore, when used with sufficient cast iron at the ground surface, there will be little or no wear or deterioration. You can depend on Bingham & Taylor plastic boxes for a lifetime of trouble-free service.

QUALITY: As with all of our products, we have taken every step to maintain the high quality standards for which our name is known. You deserve this quality.

FLEXIBILITY & CREATIVITY: We are specialists in our field and devoted to the manufacture of quality Service, Roadway and Valve Boxes. We have taken the time to engineer various bottom sections with specific bell styles and arches to fit assorted plastic valves. Although we show a full line of boxes and accessories in this catalog, we still welcome your inquiries for special boxes and accessories to further fill your needs. We are happy to make ourselves available to you for any special requirements.

Bingham & Taylor Stab-Type Bottom Sections — ORDERING INSTRUCTIONS —

We offer you an assortment of specialized bottom bell styles for use with your specific valve type. On pages 5 and 6 we display bell styles for use with your specific valve type. On page 12 we display bell styles available with our 400, 500, and 600 series.

To order specific bell styles for plastic boxes, please order as shown in the following example:

REQUIREMENT: 2 1/2" Shaft Plastic Screw Type Curb Box with length adjustment of 38"-60" with Round "Gas" lid. For use with Perfection 3/4"-1 1/4" plastic curb stop. See table on page 3.

ORDER AS FOLLOWS: P—94—E—003 w/ round "Gas" lid.

—003 designates bottom bell to fit Perfection 3/4"-1 1/4" plastic curb stop as pictured on page 5.



BINGHAM & TAYLOR

PLASTIC & COMBINATION BOXES

Genuine Buffalo Style Cast Iron & A.B.S. Plastic

SERIES 200 & 250 SERVICE BOXES Page

2 1/2" Shaft Service Boxes.....	3
Service Box Extensions.....	3
Optional Sliding Top Sections.....	3

SERIES 300 SERVICE BOXES

3" Shaft Service Boxes.....	4
Service Box Extensions.....	4
Optional Rims & Lids.....	4

BOTTOM SECTIONS

Series 200, 250 & 300.....	5, 6
----------------------------	------

SERIES 400 SERVICE BOXES

4" Shaft Service Boxes.....	7
Service Box Extensions.....	7
Rims & Lids.....	7
Bottom Sections and Valve Supports.....	7

STAY-PUT ROADWAY BOXES

4" Shaft Roadway Boxes.....	8
Extensions.....	8
Bottom Sections.....	8
Rims & Lids.....	8

SERIES 500 VALVE BOXES

5 1/4" Shaft Valve Boxes	9
Extensions.....	9

SERIES 600 VALVE BOXES

5 1/4" Shaft Valve Boxes	10
Extensions.....	10

SERIES 500 & 600 RIMS & LIDS Page

Round, Square, Flanged Rims & Lids	11
Risers	11

BOTTOM SECTIONS

Series 400, 500 & 600.....	12
----------------------------	----

P-199 SERIES BOX..... 13

12" SERIES VALVE BOX..... 13

2 1/2" & 3" CIP BOXES

2 1/2" Combination Service Boxes	15
Extensions.....	15
3" Old Style Combination Service Boxes	15
Extensions.....	15
Covers.....	15

5 1/4" CIP BOXES

2-Piece Combination Service Boxes	16
Covers.....	16
3-Piece Combination Service Boxes	16
Extensions.....	16
Arched Base.....	16

7" CIP BOXES

2-Piece Combination Service Boxes	17
Extensions.....	17
Covers.....	17
Arched Base.....	17

SERIES 200 & 250 — Service Boxes

Fig. No. 200
Round Head

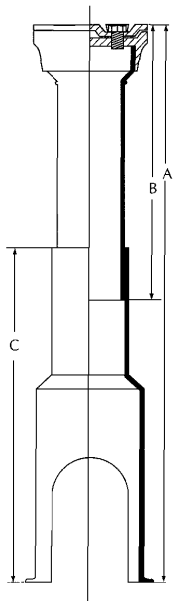


Fig. No. 250
Round Head

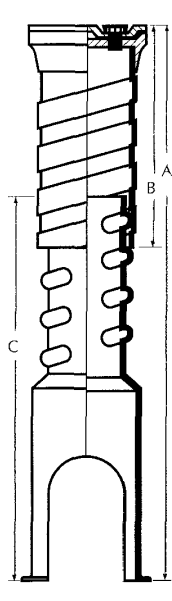


Fig. No. 200 & 250

Sliding & Screw Type 2 1/2" Shaft Service Boxes

- Cast Iron Lid and Rim (Standard Buffalo New Style Design).
- Available in round and square rim and lid designs.
- Standard Pentagon Head Bolt.
- Magnetized Lid and Rim.
- Plastic Top Tube and Belled Bottom Section is high-impact resistant A.B.S. Plastic.
- Standard Bell arched for 1 1/4" curb stop. Slide and screw styles available.
- All lids furnished with "Water" or "Gas" imprint as specified — other imprints available at additional charge.

Fig. No. 200 & 250

Size No. Sliding Type	Size No. Screw Type	Extension Range - A	Length Top-B	Length Bottom-C
P200	P-89-A	16"-20"	10"	12"
P201	P-90-B	18"-26"	12"	16"
P202	P-91-C	22"-34"	16"	20"
P203	P-92-C	22"-38"	16"	24"
P204	P-92-D	26"-42"	20"	24"
P205	P-93-D	26"-48"	20"	30"
P206	P-93-E	32"-54"	26"	30"
P207	P-94-E	38"-60"	26"	36"
P208	P-95-E	44"-66"	26"	42"
P209	P-100-E	50"-70"	26"	48"
P210	P-100-F	56"-76"	26"	54"
P211	P-100-G	62"-82"	26"	60"

Fig. No. 200 & 250
Square

Fig. No. 200 & 250
Round

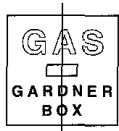
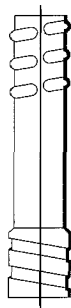


Fig. No. 200X
Extension



Fig. No. 250X
Extension



Optional Sliding Top Sections

Fig. No. 230
Drop-Turn
Locking Rim

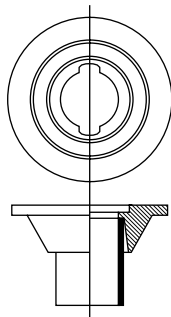


Fig. No. 230-L
Drop-Turn
Locking Lid

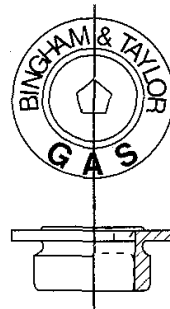
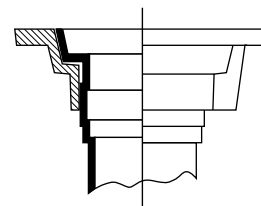


Fig. No. 240HW
Heavy Weight Top Section



Has flanged cast iron ring.
Available with cast iron & plastic lids.

Extension Ordering Table

Size No. Sliding Type	Size No. Screw Type	Extends Box
P212	P151	10"
P218	P152	16"
P224	P153	22"
P230	P154	28"

Additional lengths available in 6" multiples added to bottom section (A.B.S. Plastic). See Pages 5 and 6 for additional bell bottoms.

Fig. No. 225B
Base Plate –
3/4", 1" or 1 1/4"

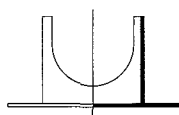


Fig. No. P200
Flush NSR
For Series 200 & 250
Service Boxes



Fig. No. 240
Lid

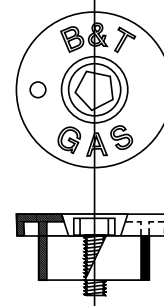
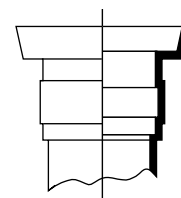


Fig. No. 240LW
Light Weight
Top Section



SERIES 300 — 3" Service Boxes

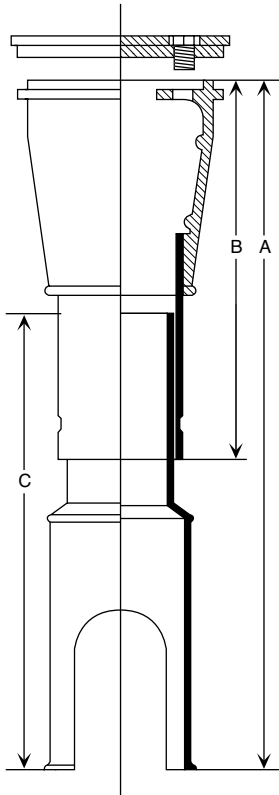


Fig. No. 300

Fig. No. 300

3" Shaft Plastic Service Box

- Cast Iron Lid and Rim (Standard Buffalo Old Style Design).
- Standard Pentagon Head Bolt.
- Drop-turn lid available upon request (Fig. No. 350)
- Cast Iron Rim Fig. 306 offers 6" depth.
- High-impact resistant A.B.S. Plastic Top Tube and Bottom Section. Available in sliding adjustment.
- Standard Bottom Section arched, belled and flanged for up to 1 1/4" stop.
- Multiple bell designs available to fit assorted valves.
- All lids furnished with "Water" or "Gas" imprint as specified — other imprints available at additional charge — please inquire.

See Pages 5 & 6 for additional bell configurations.

Fig. No. 300

Size No.	Extension Range - A	Length Top-B	Length Bottom-C
P301	24"-28"	12"	18"
P302	32"-39"	12"	26"
P303	42"-48"	16"	36"
P304	52"-58"	16"	46"

Additional lengths available in 6" multiples added to bottom section (A.B.S. Plastic).

Extension Ordering Table

Size No.	Extends Box	Overall Length
P314	12"	14"
P320	18"	20"
P326	24"	26"
P332	30"	32"

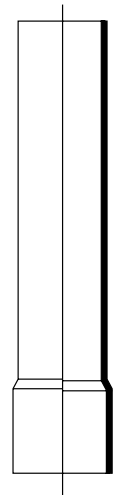


Fig. No. 300X
Extension

Optional Rims & Lids

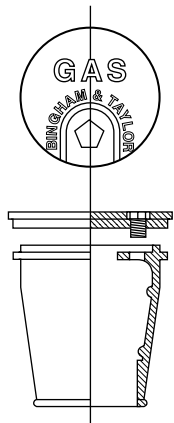


Fig. No. 306

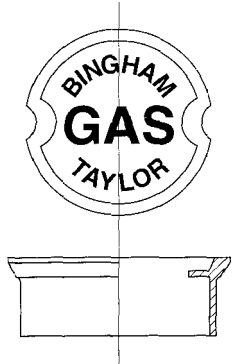


Fig. No. 334

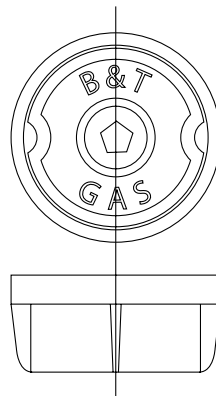


Fig. No. 334DT

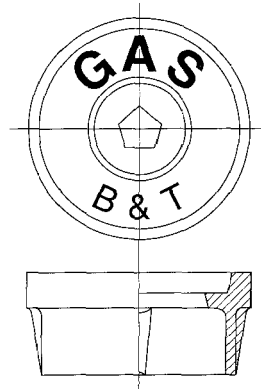


Fig. No. 350

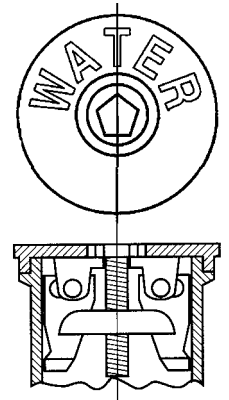
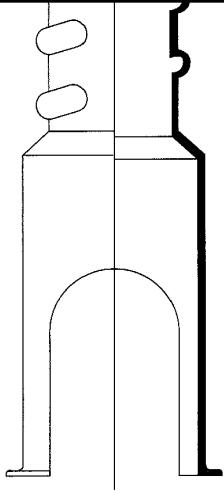


Fig. No. 4930-OSR

Bottom Sections — Series 200, 250 & 300

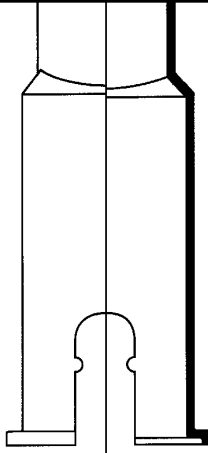
All bottoms available in Screw and Sliding Boxes.

001



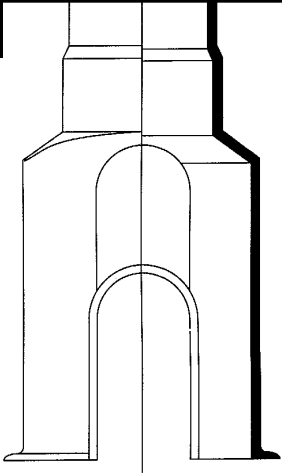
Standard Arch

002



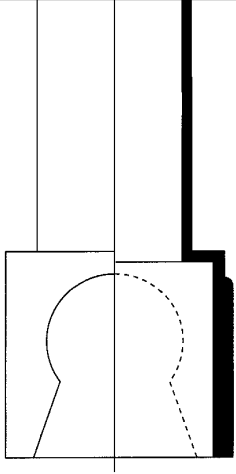
Fits: Nordstrom 1/2" - 1" Plastic Ball Valve
Lyall 3/4" - 1" Plastic Ball Valve
Perfection 1" Plug Valve

003



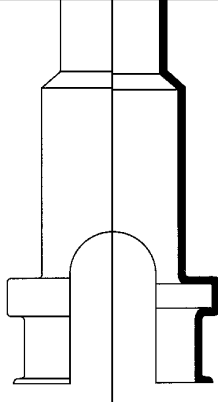
Fits: Perfection 3/4" - 1 1/4" Plug Valve
Dresser 3/4" 175 G.T.O.

004



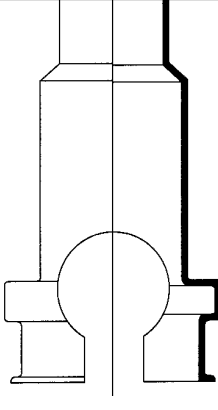
Fits: Perfection 3/4" - 1 1/4" Plug Valve
Dresser 3/4" 175 G.T.O.

005



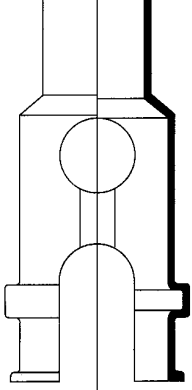
Fits: Inertite Posilok 1 1/4" 125 G.T.O.
Mueller 125 1" Gas
Kerotest 1" - 1 1/4" Plastic Valve
Kerotest 2" Plug Valve
Lyall 1 1/4" PE. Ball Valve
Nordstrom 3/4" - 1 1/4" Plug Valve

006



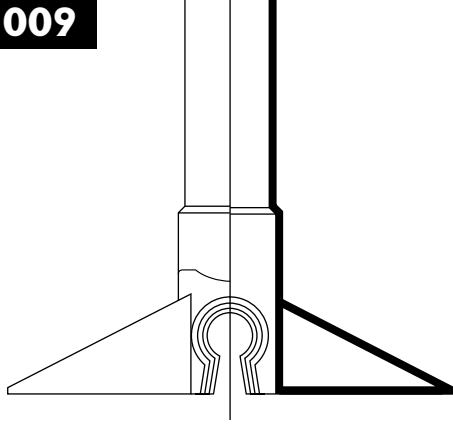
Fits: Dresser 1 1/4" 175 G.T.O.
Handley 1" - 1 1/4" Plug Valve
Kerotest 1 1/4" Plastic Valve
Kerotest 2" Plug Valve
Lyall 2" Plastic Valve
Nordstrom 1/4" - 1 1/4" Plug Valve

008



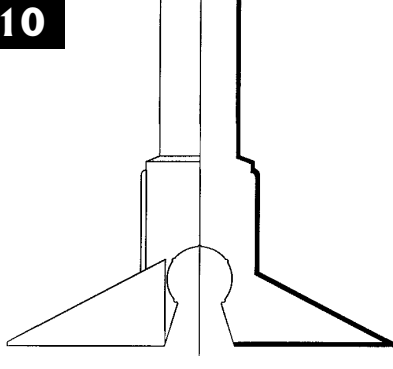
Fits: Dresser 3/4" - 1" 175 G.T.O.
Inertite 1" G.T.O.
Inertite 1 1/4" Posilock 12560
Lyall 1/2" - 1" Ball Valve
Mueller 1" 125 "GAS"
Nordstrom 3/4" - 1 1/4" Plug Valve

009



Fits: Dresser 3/4" G.T.O.
Dresser 1/2" - 1" Plastic Valve
Kerotest 3/4" - 1 1/4" Plastic Valve
Lyall 1/2" - 1 1/4" Ball Valve

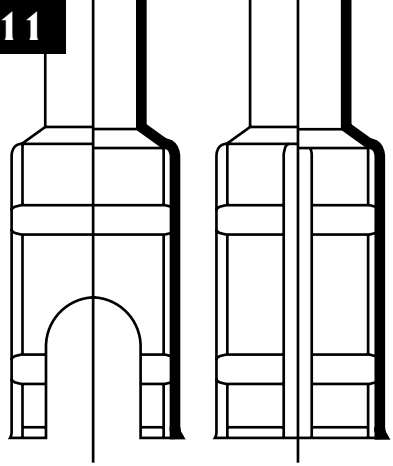
010



Fits: Inertite 1" 125 GO
Inertite 1 1/4" 125 GO
Kerotest 3/4" - 1 1/4" Plastic Valve
Lyall 1 1/4" Ball Valve
Mueller 1" 125 GO
Perfection 1 1/4" Plastic Valve
Lyall 2" Ball Valve

Bottom Sections — Series 200, 250 & 300

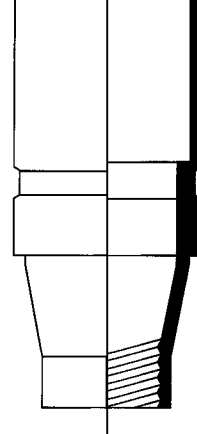
011



CNG Bottom Bell

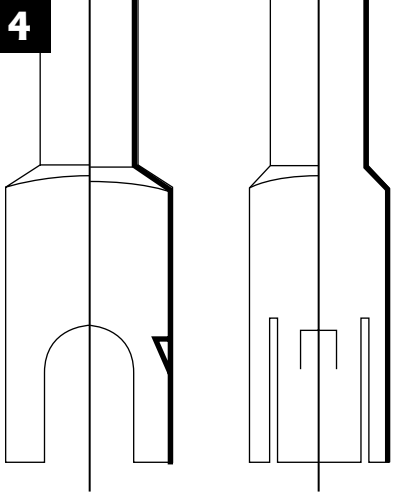
Fits: 1/2" - 1 1/4" Poly & Steel Valves

013



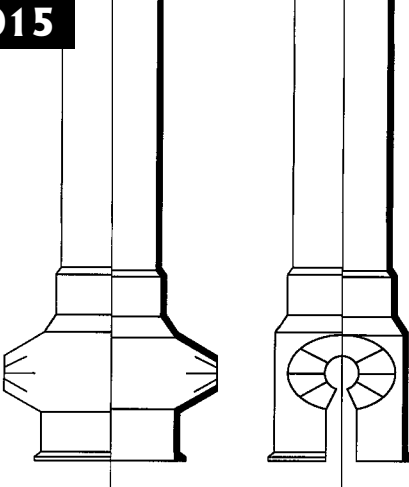
Fits: Minneapolis Pattern
For use with Minneapolis Valve

014



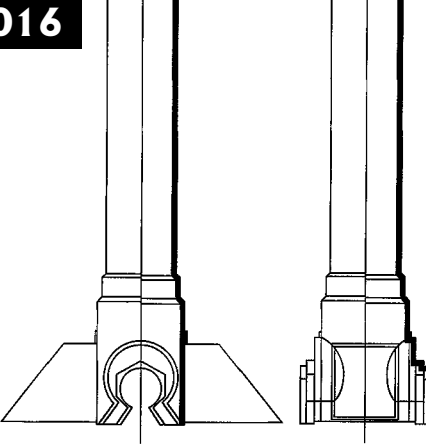
For use with Bingham & Taylor
Valve Support

015



Fits: Nordstrom 1/2" - 1 1/4" Plastic Valve
Nordstrom 1/2" - 1 1/4" Plug Valve
Perfection 1/2" - 1 1/4" Plug Valve

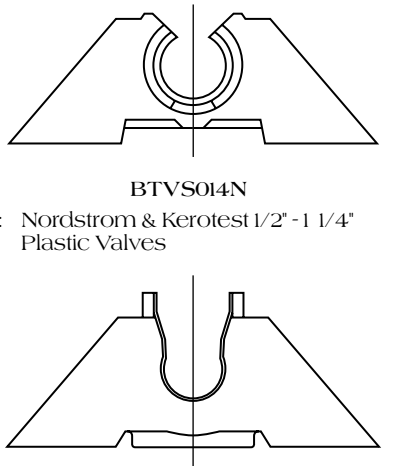
016



Fits: Dresser 1" Plastic Valve
Kerotest 1/2" - 1 1/4" Plastic Valve
Dresser 1" - 1 1/4" GTO
Perfection 1/2" - 1 1/4" Plastic Valve

BTVS014N

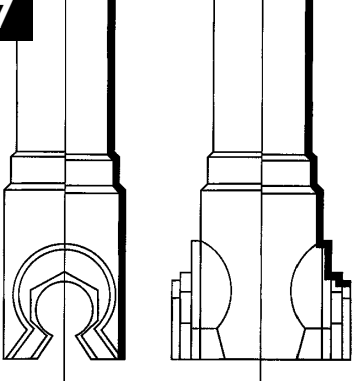
Fits: Nordstrom & Kerotest 1/2" - 1 1/4"
Plastic Valves



BTVS014P

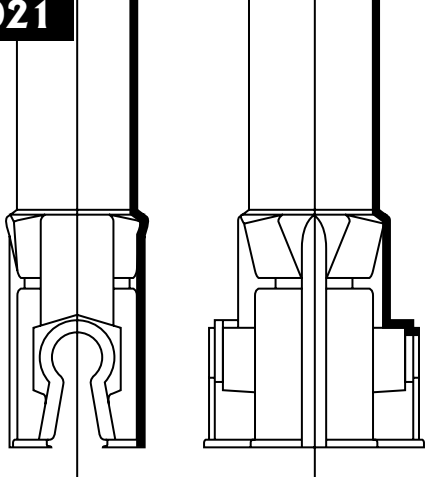
Fits: Perfection 1/2" - 1 1/4" Plastic Valves.

017



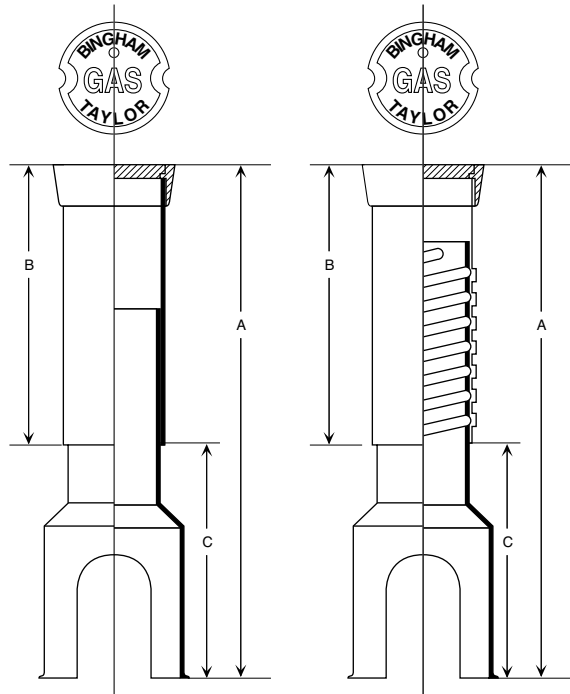
Fits: Kerotest 1/2" - 1 1/4" Plastic Valve
Dresser 1/2" - 1" Plastic Valve
Dresser 3/4" - 1 1/4" 175 GTO
Perfection 1/2" - 1 1/4" Plastic Valve

021



Fits: Perfection 1/2" - 1 1/4"
Use with Series 300 only

SERIES 400 — 4" Service Boxes



Series 400

Size No. Screw or Sliding Type	Extension Range - A	Length Top-B	Length Bottom-C
1	26"-34"	12"	24"
2	26"-40"	18"	24"
3	32"-46"	24"	24"
4	32"-54"	27"	30"

Fig. No. 445

4" Shaft Plastic Service Box

- Several Cast Iron Rims and Lids Available. See below.
- Cast Iron Rim bonded to A.B.S. Plastic Top Tube.
- For use with Curb Stops with 2" square operating nut.
- Slide or screw adjustment available.
- Bell arched and flanged — without arch when specified.
- Multiple bell designs available to fit assorted valves. See below and pages 7, 8 and 12.
- All lids furnished with "Water" or "Gas" imprint as specified — other imprints available at additional charge.
- Please SPECIFY RIM STYLE, SCREW OR SLIDE ADJUSTMENT AND BOTTOM BELL STYLE when ordering.

Extension Ordering Table

Size No. Screw or Sliding Type	Extends Length Dim. A	Extends Length Dim. B
P418	14"	18"
P424	20"	24"
P430	26"	30"
P436	32"	36"

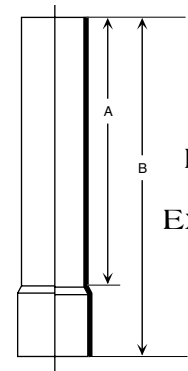


Fig. No. 400X
Extension

Top Rims & Lids

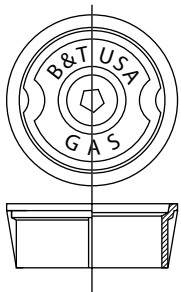


Fig. 445DT
Drop-Tum Rim & Lid

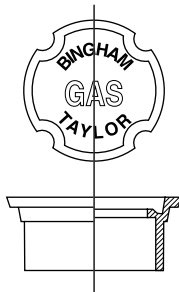


Fig. No. 445BUG
Drop-In Rim & Lid

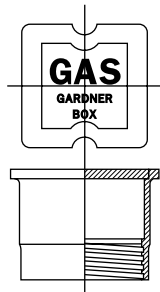


Fig. No. 450
Square Rim & Lid

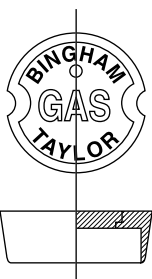


Fig. No. 445
Rim & Lid

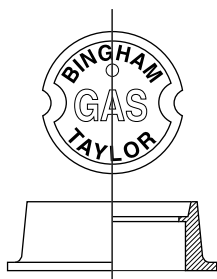


Fig. No. 448
Flanged Rim & Lid

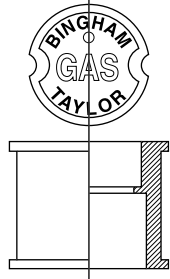


Fig. No. 460 RPV
Round Rim &
Flange With Lid

Bottom Sections & Valve Supports



Fig. No. P4HL
Rim & Lid

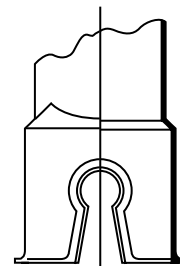
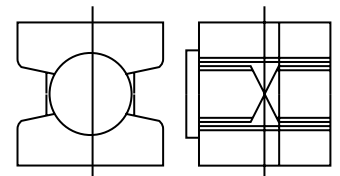


Fig. No. 020
Bell Bottom



BTVS020P
Support for 1/2" - 1 1/4"
Perfection Valves

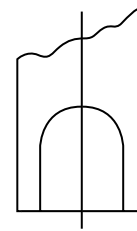
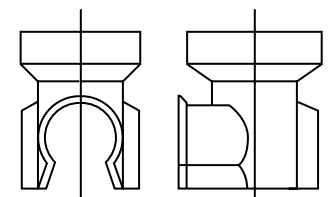


Fig. No. 022
Bell Bottom



BTVS022M
Support for 1" - 2"
Mueller Valves

4" Roadway Boxes

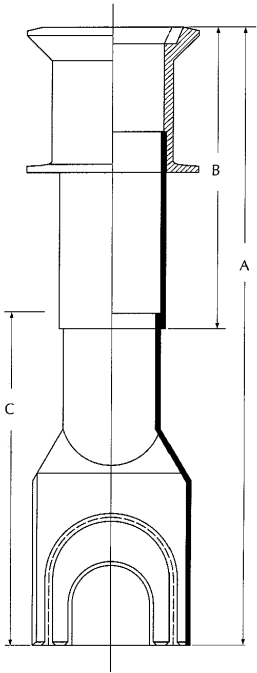


Fig. No. 460
6" Stay-Put

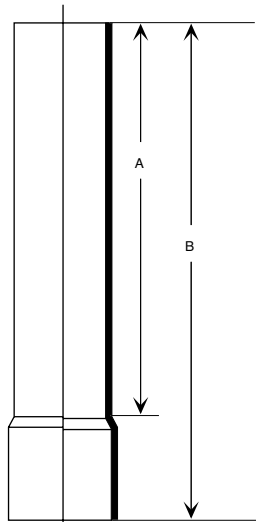


Fig. 400-X
Extension

Additional lengths available in 6" multiples added to bottom section (A.B.S. Plastic).

Fig. No. 460 Stay-Put 4" Shaft Roadway Boxes

- Cast Iron Stay-Put Lid and Rim.
- Keyed Rim and Lid — or Drop Lid — No Key Way.
- Rim available in 6" and 10" depth for stability in backfill.
- A.B.S. plastic Top Tube bonded to Cast Iron Rim.
- Multiple bells available to fit assorted valves. For selection, please see pages 7, 8 and 10.
- Slide friction length adjustment.
- Lids furnished with "Gas" or "Water" imprint as specified. Special lettering at additional cost.

	Size No.	Extension Range - A	Length Top-B	Length Bottom-C
6" C.I. Top Rim	SP-4-6-1224	26"-34"	12"	24"
	SP-4-6-1824	26"-40"	18"	24"
	SP-4-6-2424	26"-46"	24"	24"
	SP-4-6-2430	36"-54"	24"	30"
10" C.I. Top Rim	P10-4-10-1812	20"-30"	18"	12"
	P10-4-10-1818	26"-36"	18"	18"
	P10-4-10-1824	26"-40"	18"	24"
	P10-4-10-2424	30"-46"	24"	24"
	P10-4-10-2430	30"-54"	24"	30"

Bottom Sections

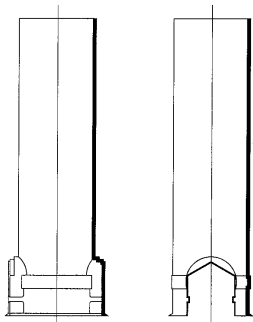


Fig. No. 401

Fits: Kerotest 1/2" - 1 1/4" Plastic Valve
Nordstrom 1/2" - 1 1/4" Plastic Valve

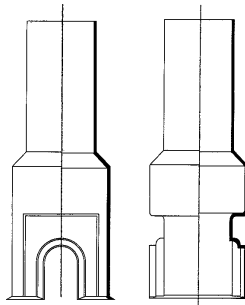


Fig. No. 402
Fits: 2" & 3" Plastic Valves

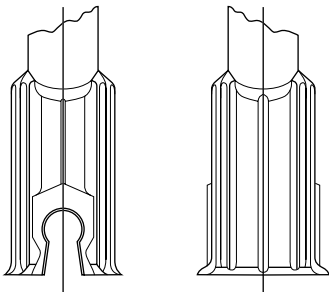


Fig. No. 434

Fits: Perfection 1/2" - 1 1/4" Plastic Valve
Kerotest 1/2" - 1 1/4" Plastic Valve
Nordstrom 1/2" - 1 1/4" Plastic Valve

Extension Ordering Table

Extension	Size No.	Extends Length Dimension A	Overall Length Dimension B
Fig. No. 400X	P418	14"	18"
	P424	20"	24"
	P430	26"	30"
	P436	32"	36"

Top Rims & Lids

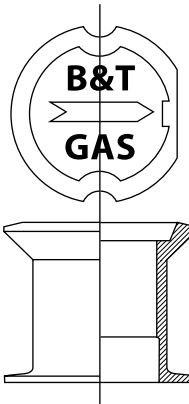


Fig. No. 460
6" Stay-Put

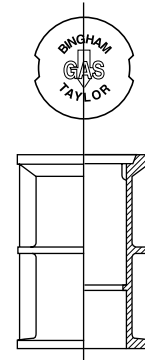


Fig. No. P10
Rim & Lid

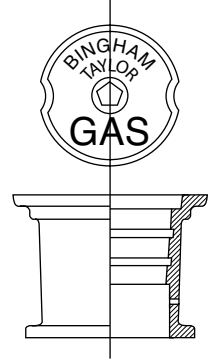


Fig. No. P4HHD
Heavy-duty 4" Locking Rim & Lid

Series 500 Plastic Valve Boxes

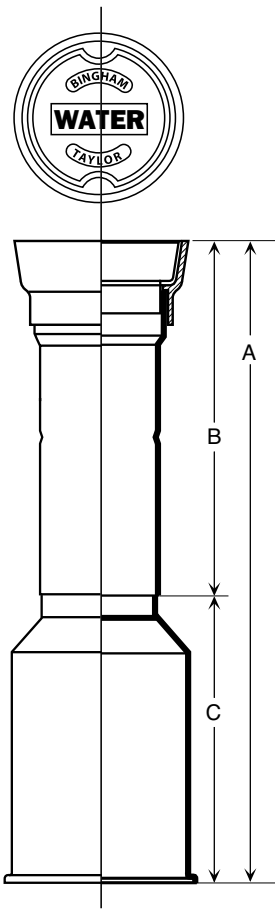


Fig. No. P-500-S
Slide Type Box

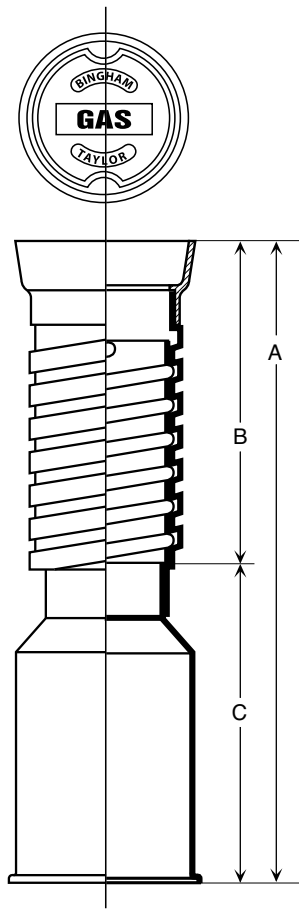


Fig. No. P-500-B
Screw Type Box

Fig. No. 500

Series 500 – 5 1/4" Shaft Plastic Valve Boxes

- Cast Iron Lid and Top Rim (Standard Buffalo Design).
- Cast Iron Rim permanently bonded to A.B.S. plastic top tube.
- A.B.S. plastic Top and Bottom Sections.
- Screw or sliding adjustment.
- Screw type Bottom interchangeable with cast iron screw type Top Section.
- Available in various bell designs to fit assorted valves.
- Extension Sections Available.
- Specify "Gas" or "Water". Custom lettering at extra charge.
- Paving Adapters available, 1" - 4".

Size No. Sliding Type	Size No. Screw Type	Extension Range - A	Length Top-B	Length Bottom-C
P-5461-S	P-18	22"-24"	9"	18"
P-5562-S	P-20	28"-36"	15"	24"
P-5564-S	P-21	40"-48"	15"	36"
P-5662-S	P-21-A	36"-48"	27"	24"
P-5663-S	P-22-A	34"-54"	27"	30"
P-5664-S	P-22	40"-60"	27"	36"
P-5665-S	P-23	52"-72"	27"	48"
P-5666-S	P-24	52"-85"	39"*	48"

* Not available in screw type box.

Please specify top rim style, lid, size number and bell design. (See pages 11 and 12 for selection).

Extension Ordering Table

Sliding Type	Screw Type	Extends Length	Overall Length
P-63-E	P-57	12.0	16.0
P-64-E	P-58	18.0	24.0
P-65-E	P-59	24.0	30.0

Series 600 Plastic Valve Boxes

Fig. No. P-600-S
Slide Type Box

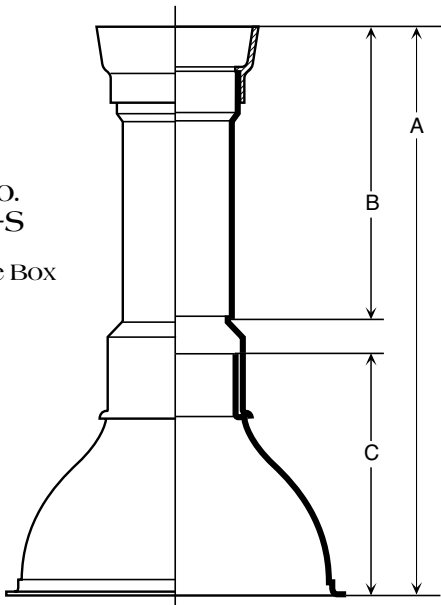


Fig. No. P-600-B
Screw Type Box

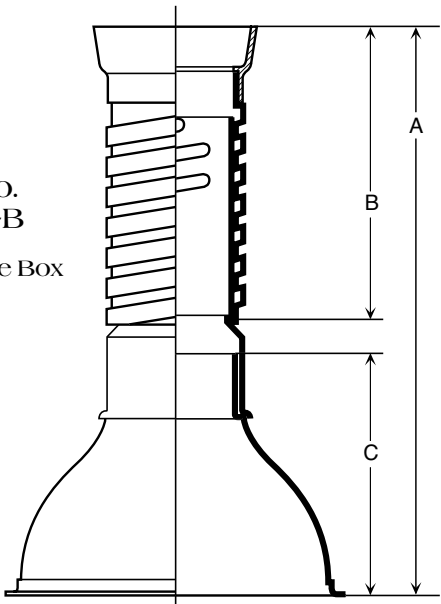


Fig. No. P-600 Series 600 – 5 1/4" Shaft 3-Piece Plastic Valve Boxes

- Sliding friction adjustment (Figure No. P-600-S) or Screw (Figure No. P-600-B).
- Cast iron bonded to plastic tube.
- A.B.S. plastic tops, middles and bases.
- Screw-type middles and extensions compatible for use with cast iron top sections.
- Series 600 boxes comparable to cast iron boxes Fig. No. 4906 and 4907.
- Bases available: 105, 107 and 108. **(See Page 12)**
- Paving Adapters available, 1" - 4".

Please specify top rim style, lid, size number and bell design. (See pages 11 and 12 for selection).

Extension Ordering Table

Sliding Type	Screw Type	Extends Length	Overall Length
P-63-E	P-57	12.0	16.0
P-64-E	P-58	18.0	24.0
P-65-E	P-59	24.0	30.0

Size No. Sliding Type	Size No. Screw Type	Extension Range	Top Section & Lid			Middle Section			P-6 Weight	Total Weight
			No.	Length	Weight	No.	Length	Weight		
P-AA-S	P-AA	22-28	P-54	10	22	P-60	12	1.0	2.5	25.5
P-A-S	P-A	28-40	P-55	15	23	P-61	16	1.5	2.5	27.0
P-B-S	P-B	36-48	P-55	15	23	P-62	24	2.0	2.5	27.5
P-C-S	P-C	42-54	P-55	15	23	P-63	30	2.5	2.5	28.0
P-CC-S	P-CC	48-60	P-55	15	23	P-64	36	3.5	2.5	28.0
P-D-S	P-D	42-66	P-56	27	24	P-63	30	2.5	2.5	29.0
P-E-S	P-E	48-72	P-56	27	24	P-64	36	3.5	2.5	30.0
P-F-S	P-F	60-84	P-57	39	25	P-64	36	3.5	2.5	31.0
P-G-S	P-G	72-96	P-57	39	25	P-66	48	4.0	2.5	31.5

Top Rims & Lids for Series 500 & 600 Plastic Valve Boxes

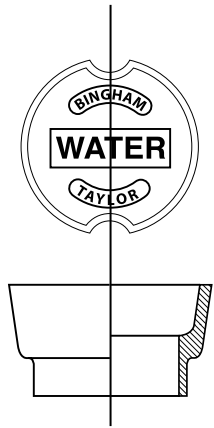


Fig. No. P-500
Rim & Lid

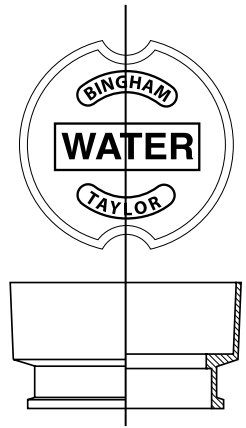


Fig. No. P-550
Flanged Rim & Lid

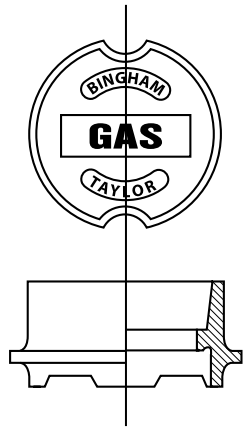


Fig. No. 6017
P.I. Rim

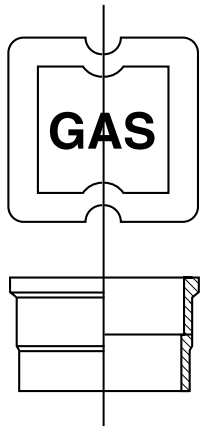


Fig. No. P-501
Square Rim & Lid

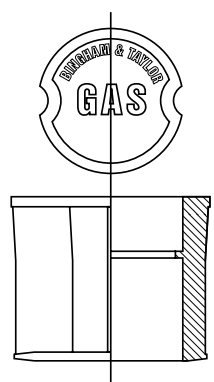


Fig. No. P-558
Rim & Lid

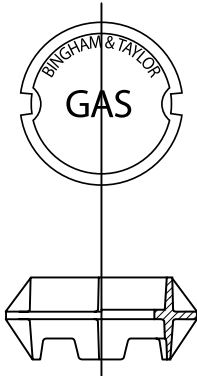


Fig. No. 6017-2
P.I. 2 Rim & Lid
(Full Flange)

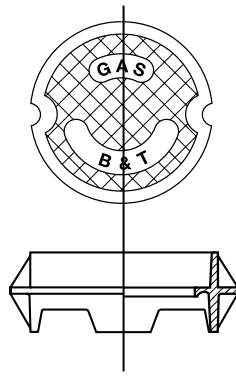


Fig. No. 6017-3
P.I. 3 Rim & Lid
(Spaced Flange)

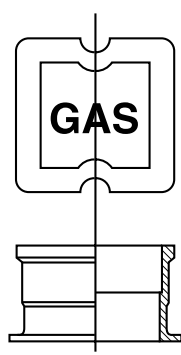


Fig. No. P-530
Square Rim & Lid
(Flanged)

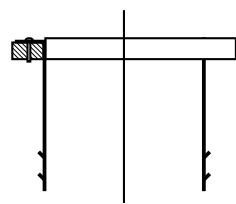


Fig. No. P-558
1" & 1 1/2" Riser

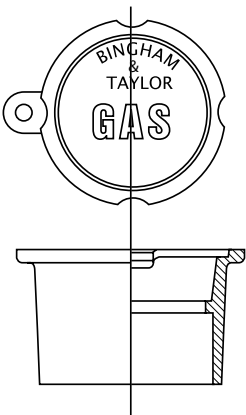


Fig. No. P-6H
Rim & Lid

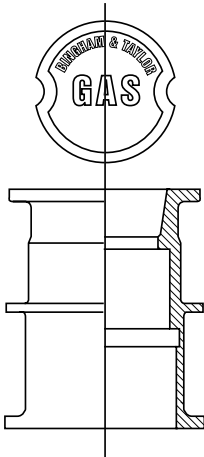


Fig. No. P-11B
Rim & Lid

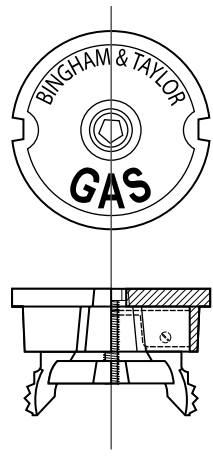


Fig. No. 4904-PL
P.I. 2 Locking
Cover

Top Rims & Lids for Series 500 & 600 Boxes (Continued)

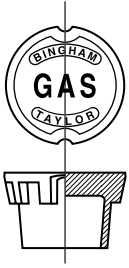


Fig. No. 4905-L2.5
Round Drop-In Lid
With 2 1/2" Skirt



Fig. No. 4905-L4
Round Drop-In
Lid With 4" Skirt

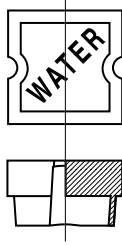


Fig. No. 4905-SQ-L1.5
Square Drop-In
Lid With 1 1/2" Skirt

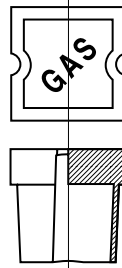


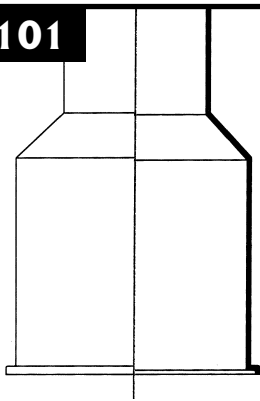
Fig. No. 4905-SQ-L4
Square Drop-In
Lid With 4" Skirt

Lids available in Gas, Water & Sewer.
Special markings on lids are available.
Please inquire.

Figure No. #	Skirt Size	Weight
4905-L2.5	2 1/2"	14.5 lbs.
4905-L4	4"	25 lbs.
4905-SQ-L1.5	1 1/2"	14 lbs.
4905-SQ-L4	4"	25 lbs.

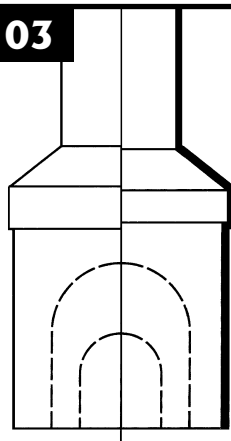
Bottom Sections — Series 400, 500 & 600 Plastic Valve Boxes

101



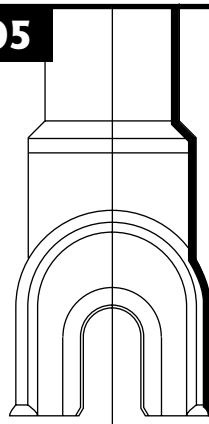
Fits: Standard Bottom
Over bonnet of
up to 10" Valves
Available Arched
or Unarched

103



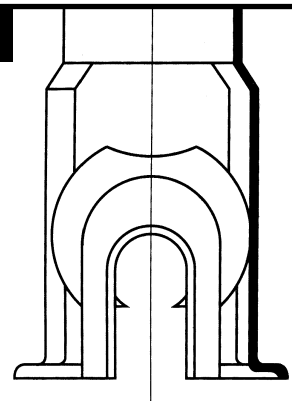
Fits: 9" x 9" Bell
IPS Steel Valves -
4" and 6"

105

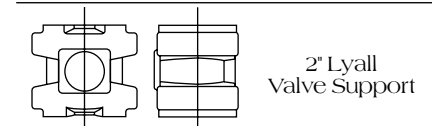
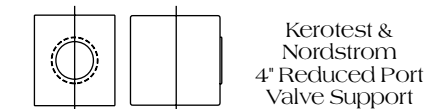
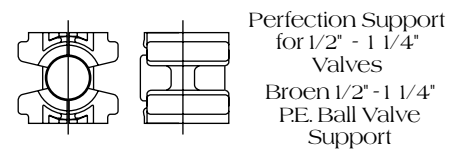
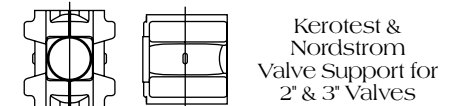
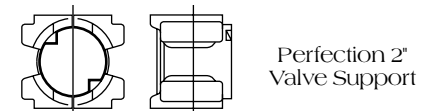


Fits: 2", 4" and 6" Reduced
Port Plastic Valves
And 2" & 4" Full Port
Plastic Valves

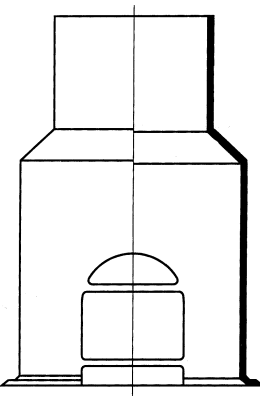
104



Fits: Kerotest & Nordstrom
2", 3" and 4" Plastic Valves

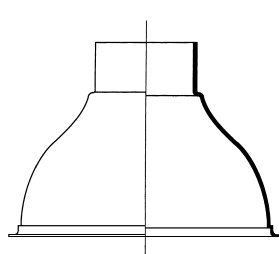


106



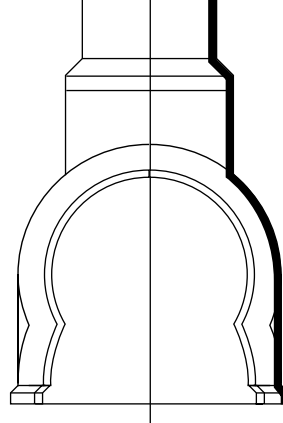
Fits: 2" & 3" Plastic Valves

107



Recommend Full Port
8" Plastic Valves &
Steel Valves.
Available Arched
or Unarched.

108



Fits: 6" Full Port and
8" Reduced Port
Valves

P-199 Series Box

Fig. No. 199

P-199 Valve Box

- Designed for use over valve that requires direct maintenance at the outer flanges. The 10" minimum I.D. allows tools to be operated directly from the surface.
- Letters on lid as required. Water — Gas.
- Heavy duty frame and lid.
- Length adjustment as required
- Screw or sliding adjustment available.

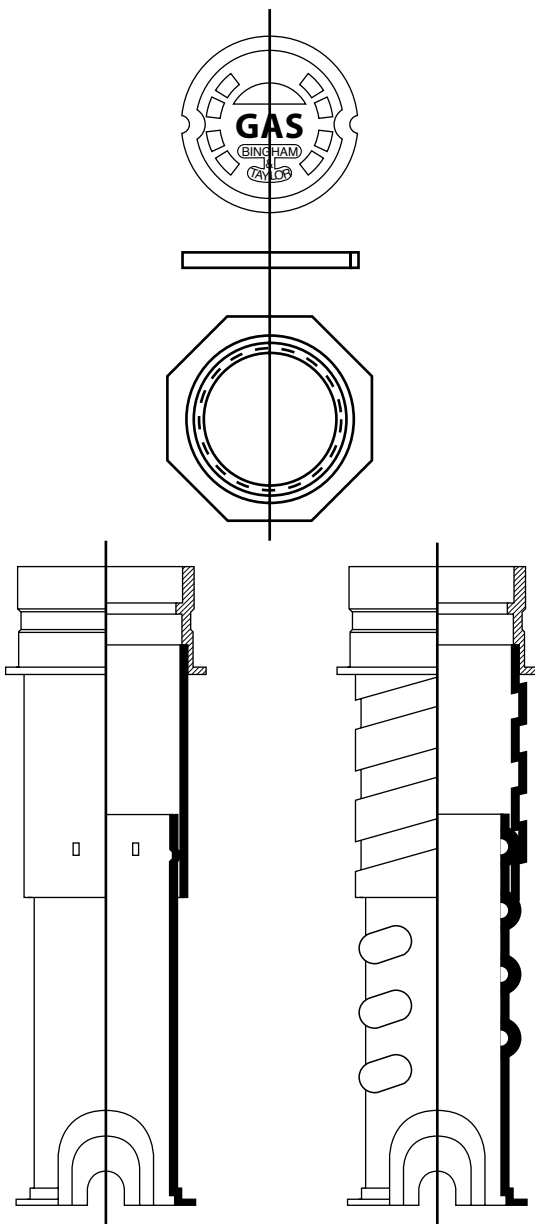


Fig. No. 199
P-199 Valve Box

12" Series Box

Fig. No. 1200
P-1200 Valve Box

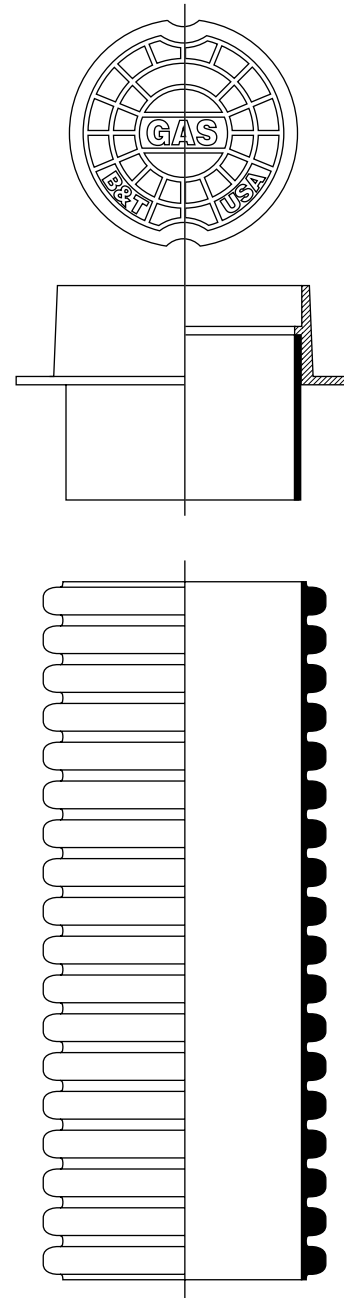


Fig. No. 1200

P-1200 Valve Box

- Designed for use over valve that requires direct maintenance at the outer flanges. The 12" minimum I.D. allows tools to be operated directly from the surface.
- Letters on lid as required. "Water" or "Gas" available.
- Heavy-duty frame and lid.
- Length adjustment as required.



**BINGHAM
& TAYLOR**

COMBINATION CAST IRON & PLASTIC CURB AND VALVE BOXES

(Described as CIP Boxes)

The boxes shown on the next pages have standard Buffalo Style cast iron top sections. The same tops as shown in our cast iron catalog.

The balance of the box is made of A.B.S. plastic.

These boxes serve the same purpose as the all cast iron boxes.

Each box is furnished in the same ranges of extension as those in the cast iron catalog by using parts in similar lengths. However, by using combinations of shorter tops with longer bottoms, considerable cost savings can be achieved.

To determine length of box required, please refer to the tables on page 9 of our cast iron catalog.

Two important things to keep in mind are the range of extension you need and the overlap of pieces in order for the Box to remain stable.

A parts list is shown in the tables for ordering.

Complete 2 1/2" & 3" CIP Boxes

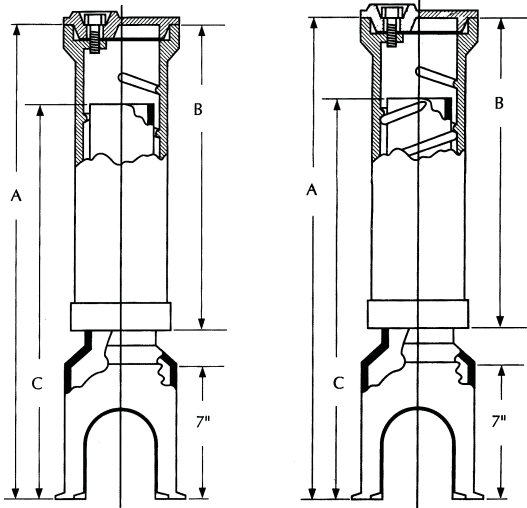


Fig. No. 7250
Slide Type Box

Fig. No. 7000
Screw Type Box

Fig. No. 7000 & 7250

2 1/2" Combination Service Boxes Complete

- We ship Fig. No. 7000 New Style Service Boxes unless otherwise specified.
- A complete service box consists of lid with Pentagon Head Bolt, cast iron top section and plastic bottom section.
- You can combine any of the above tops with any of the above bottoms to make the length box you desire.
- To reduce the cost, choose the shortest top that will give you the range of Extension needed with longer Plastic Bottom.
- For available bell configurations see pages 5 and 6.
- N.S., N.S. Flush, and O.S. repair lids available, "Water" or "Gas".

Extension Ordering Table

Size No. Sliding Type	Size No. Screw Type	Extends Box	Overall Length
P212	P151	10"	12"
P218	P152	16"	18"
P224	P153	22"	24"
P230	P154	28"	30"

Size No. Sliding Type	Size No. Screw Type	Extension Range A	Top Section & Cover			Bottom Section			Total Weight
			No.	Dim. B	Wt.	No.	Wt.	Dim. C	
CIP 204	CIP 92-D	29-42	D	20.5	16.1	P-92	2.00	24	15.50
CIP 205	CIP 93-D	35-48	D	20.5	16.1	P-93	2.50	30	16.00
CIP 206	CIP 93-E	35-52	E	23.5	19.6	P-93	2.50	30	16.50
CIP 207	CIP 94-E	40-58	E	23.5	19.6	P-94	3.00	36	17.00
CIP 208	CIP 94-F	40-64	F	29.0	26.1	P-94	3.00	36	22.00
CIP 209	CIP 95-F	45-70	F	29.0	26.1	P-95	3.50	42	22.50
CIP 210	CIP 100-F	45-76	F	29.0	26.1	P-100	4.00	48	23.00

Fig. No. 7500

3" Old Style Combination Service Boxes

- Only one length — 18" top section allowing for 14" range of extension.
- A complete box consists of lid with Pentagon Head Bolt, 18" cast iron top section and plastic bottom section.
- Can be furnished with sliding bottom section if specified.
- Extension sections available 12" long and in multiples of 6".
- For available bell configurations see pages 5 and 6.
- O.S. repair lids available, "Water" or "Gas".

Extension Ordering Table

Size No. Sliding Type	Extends Box	Overall Length
P-314	10"	12"
P-320	16"	18"
P-326	22"	24"
P-332	28"	30"

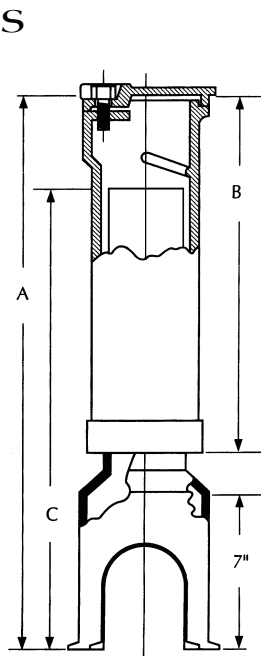
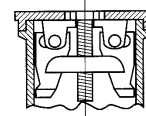
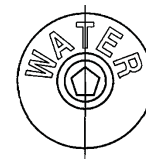
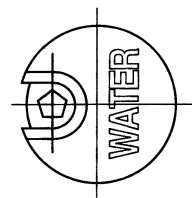


Fig. No. 7500
Slide Type Box

Covers



3" Old Style
Repair Lid



Old Style
Top & Cover

Size No.	Extension Range A	Length Dim. B	Weight	Length Dim. C	Total Weight
CIP 1 1/2	24-28	18.0	19.6	12	20.0
CIP 1	24-34	18.0	19.6	18	20.0
CIP 2	24-40	18.0	19.6	24	20.5
CIP 3	32-46	18.0	19.6	30	21.0
CIP 4	38-52	18.0	19.6	36	21.5
CIP 5	44-58	18.0	19.6	42	22.0
CIP 6	50-64	18.0	19.6	48	22.5
CIP 7	56-70	18.0	19.6	54	23.0
CIP 8	68-82	18.0	19.6	66	24.0

5 1/4" Shaft CIP Boxes

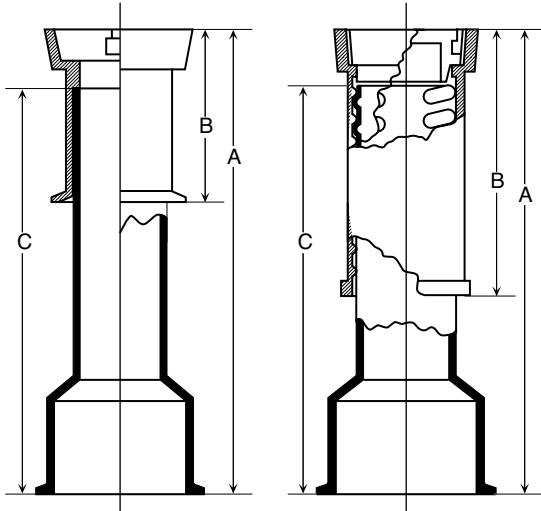


Fig. No. 8250
Slide Type Box

Fig. No. 8000
Screw Type Box

Fig. No. 8000 & 8250

2-Piece Combination Cast Iron Top With Plastic Bottoms

- A complete two-piece box consists of a lid, a cast iron top section and a plastic bottom section.
- These boxes can be furnished with locking lids in certain sizes,
- Lids "Water", "Gas" or "Sewer". Others at extra cost.
- Fig. No. 8250 has flange at bottom of top section. Specify if not wanted.
- You can reduce cost by using short cast iron tops and long bottoms. Keep in mind the extension range needed and allow up to 4" for overlap.
- Square tops can be furnished in certain sizes.
- For available bell configurations see page 12.
- Paving adapters available, 1"-4".

Covers

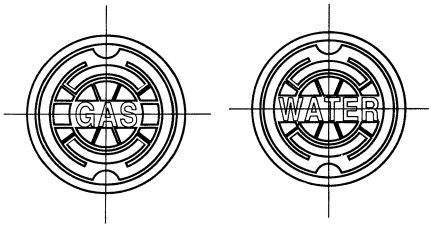
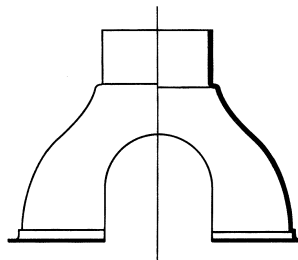


Fig. No. 8500 & 8750

3-Piece Combination Cast Iron Top With Plastic Middle & Base

- A complete three-piece box consists of a cast iron lid, a cast iron top section, a plastic middle which slides onto a plastic No. 6 Base.
- All of the extras shown in Fig. No. 8800 and 8250 apply to these boxes.
- Base can have arch as shown if specified.
- Use any combination of top and middle to make length you desire. Allow up to 4" for overlap.
- Available bell designs shown on Page 12.
- Paving adapters available 1"-4".



#6 Base Arched

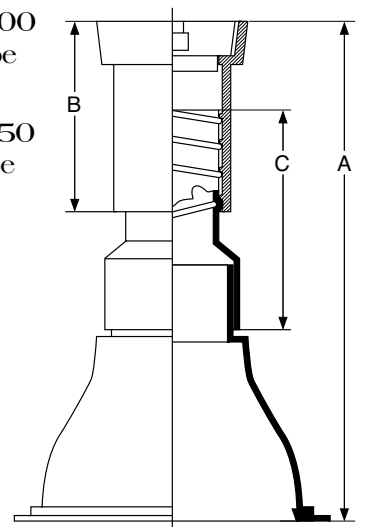
Size No.		Extension Range A	Top Section & Cover			Middle Section			No. P-6 Base		Total Weight
Sliding	Screw		No.	Dim. B	Wt.	No.	Dim. C	Wt.	Length	Wt.	
CIP-AA-S	CIP-AA	22-28	54	10.0	1.0	P-60	12	1.0	10	2.5	38.5
CIP-A-S	CIP-A	24-40	55	15.5	1.5	P-61	18	1.5	10	2.5	46.0
CIP-B-S	CIP-B	36-48	55	15.5	2.0	P-62	24	2.0	10	2.5	46.5
CIP-C-S	CIP-C	42-54	55	15.5	2.5	P-63	30	2.5	10	2.5	47.0
CIP-CC-S	CIP-CC	48-60	55	15.5	3.0	P-64	36	3.0	10	2.5	47.5
CIP-D-S	CIP-D	42-66	56	26.5	2.5	P-63	30	2.5	10	2.5	75.0
CIP-E-S	CIP-E	48-72	56	26.5	3.0	P-64	36	3.0	10	2.5	75.5

Extension Ordering Table

Size No. Sliding Type	Size No. Screw Type	Extends Box	Overall Length
P-63-E	P-57X	8	12
P-64-E	P-58X	14	18
P-65-E	P-59X	20	24
P-66-E	P-60X	32	36

Fig. No. 8500
Sliding Type
OR

Fig. No. 8750
Screw Type



7" Shaft CIP Boxes

Fig. No. 9000 & 9250

2-Piece Combination Box

- Uses standard Buffalo Style 7" diameter top section and covers.
- Round or square top and cover "Water" or "Gas".
- One-piece base has bonded shaft.
- Available in lengths as noted in ordering table below.
- Bases available: 105, 107, and 108. **(See Page 12).**
- Locking covers available.
- Paving adapters available.
- Use table on Page 9 in the Cast Iron Catalog to determine length box to use.

Extension Ordering Table

Size No.	Extends Box	Overall Length
P-70X	8	12
P-71X	14	18
P-72X	20	24

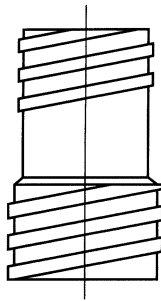


Fig. No. 9015X
Extension Section

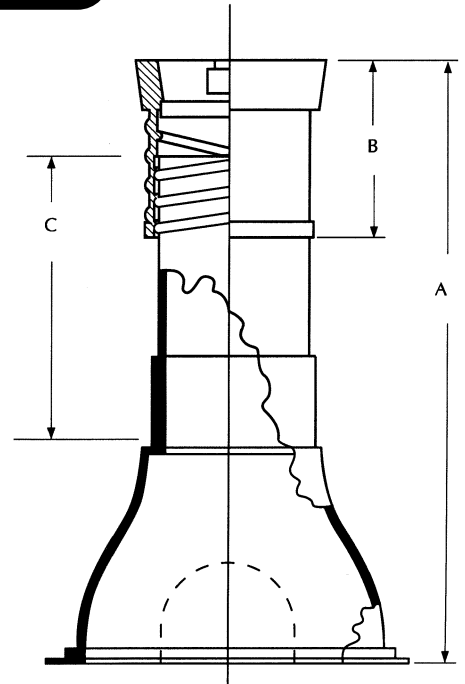
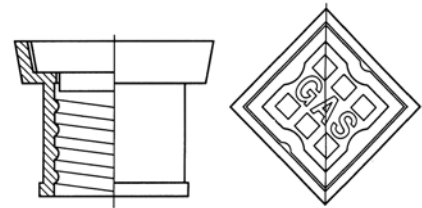


Fig. No. 9000 Screw Type OR Fig. No. 9250 Sliding Type

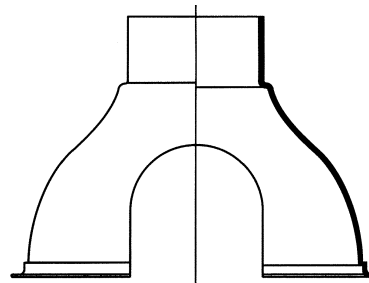
Fig. No. 9500 & 9750

3-Piece Combination Cast Iron Top & Plastic Roadway Valve Boxes

- This box uses Standard Buffalo Covers and tops and plastic middles and bases.
- Use table on Page 9 of our Cast Iron Catalog to determine length of box to use.
- Square head box must use 10" top section only.
- Locking covers available.
- Paving adapters available.



Square Head



#6 Base Arched

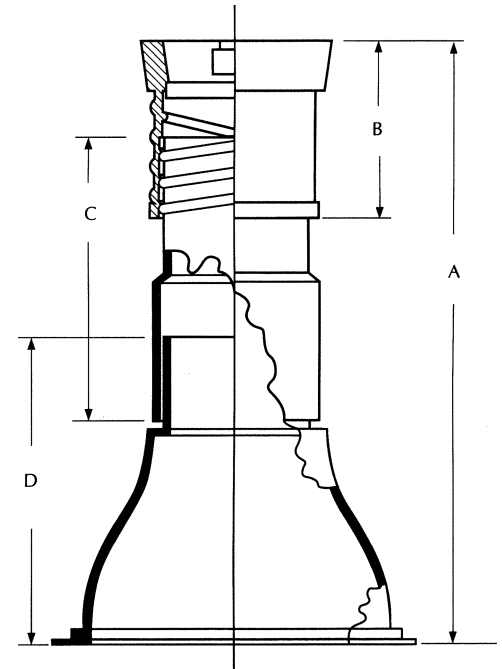


Fig. No. 9500 Sliding Type OR Fig. No. 9750 Screw Type

Ordering Table for Figures 9000, 9250, 9500 & 9750

Size No.	Extension Range A	Top Section & Cover			Middle Section			No. P-6 Base		Total Weight
		No.	Dim. B	Wt.	No.	Dim. C	Wt.	Length	Wt.	
CIP-II	21-27	74	10	58.5	P-80	10	2	10	2.5	62.5
CIP-I	27-39	75	15	81.5	P-81	16	3	10	2.5	86.0
CIP-J	33-45	75	15	81.5	P-82	20	4	10	2.5	88.0
CIP-K	39-51	75	15	81.5	P-83	26	5	10	2.5	89.0
CIP-L	39-60	76	26	111.0	P-83	26	5	10	2.5	118.5
CIP-M	60-72	76	26	111.0	P-84	36	7	10	2.5	120.5
CIP-N	72-84	76	26	111.0	P-85	48	9	10	2.5	122.5



BINGHAM & TAYLOR

Limited Warranty Statement

Seller will replace or repair, at the option of Seller, free of charge, any product which has failed in normal use and service within 90 days of date of passage of title to Buyer due to defects in material or workmanship. Seller must be given prompt written notice of such failure, and the product must be returned to Seller.

The provisions of this warranty shall not apply to any product which has not been properly installed, or subjected to misuse, negligence or accident or which shall have been repaired or altered in any way so as, in the judgement of Seller, to affect adversely its performance and reliability nor to any product which is used for a purpose for which it is not designed.

THIS WARRANTY TO REPLACE OR REPAIR DEFECTIVE PRODUCTS IS BUYER'S EXCLUSIVE REMEDY AND IS EXPRESSLY IN LIEU OF AND IS HEREBY IN DISCLAIMER OF ANY IMPLIED WARRANTIES OR MERCHANTABILITY AND FITNESS FOR A PARTICULAR PURPOSE AS WELL AS ALL OTHER IMPLIED WARRANTIES, IN LAW OR EQUITY, AND OF ALL OTHER OBLIGATIONS OR LIABILITIES ON SELLER'S PART. SELLER'S AGREEMENT HEREUNDER RUNS ONLY TO BUYER AND DOES NOT EXTEND EXPRESSLY OR BY IMPLICATION TO ANY OTHER PERSON. IN NO EVENT SHALL SELLER BE LIABLE FOR INCIDENTAL OR CONSEQUENTIAL DAMAGES, LOSS OF ANTICIPATED PROFITS OR OTHER ECONOMIC LOSS.

In the event that the other remedies fail of their essential purpose, Buyer's sole and exclusive remedy shall be, upon return of the goods, the refund of whatever portion of the purchase price has been paid.

TERMINATION

Seller may, at its option, terminate this agreement whenever Buyer shall fail to comply with any of the provisions hereof.

BINGHAM & TAYLOR

The Bingham & Taylor family of employees is dedicated to providing you, our customers, with the highest quality products, support and service to successfully satisfy your requirements.

Our service is fast and dependable, our prices are competitive and reasonable.

We have been in continuous business since 1849 serving water and gas industries.

Associate member of the American Water Works Association since 1882, member of the Water and Wastewater Equipment Manufacturers Association, Inc., and associated member of the American Gas Association.

In order for us to quote delivered prices on any specified type and quantity of the valve boxes shown in this catalog, the following information is necessary:

1. Shipping destination.
2. Trench depth (surface to bottom of trench), bury (surface to top of pipe), or the minimum and maximum adjustment length that will serve.
3. Quantity of each size.
4. Size of valve box shown in this catalog, (2 1/2, 4 1/4, 5 1/4) Shaft, Etc.
5. Type of box desired, screw or sliding type, 2 piece or 3 piece.
6. Size of base required or size of valve you will cover.

The table on the page showing the type of boxes we furnish will assist you in acquiring this information. Also, we will be glad to help in any way to arrive at your requirements.

All Shipments are made F.O.B. Shipping Point

LOSS, DAMAGE AND OVERCHARGES

Consignee is responsible and must be particular about reporting all claims promptly when shipments arrive. All exceptions must be noted on the freight delivery receipt bills and endorsed by the delivering freight agent at time of arrival and the noted delivery receipts must accompany the claim. Careful compliance with the above procedure will insure prompt adjustments of claims.