



LONGBOXES
AND YOKEBOXES



Pollardwater.com
THE PROFESSIONAL'S CHOICE
www.pollardwater.com
TOLL FREE 800-437-1146



A.Y. McDONALD MFG. CO.
WATER SERVICE PRODUCTS

Longboxes and Yokeboxes

General Information

A.Y. McDonald Mfg. Co. Longboxes and Yokeboxes are complete, compact meter-setting packages, which are installed as a unit. They are ideal water meter housings for moderate and warm climates. Longboxes and yokeboxes provide automatic alignment for the meter, which can be inserted any time during or after installation.

The body and lid are made of durable cast iron (Class 25 minimum), which will provide decades of trouble-free service. The inlet, outlet and expansion connection are manufactured of brass and meet or exceed the current AWWA Standard C800. All dual check valves are ASSE 1024 approved.



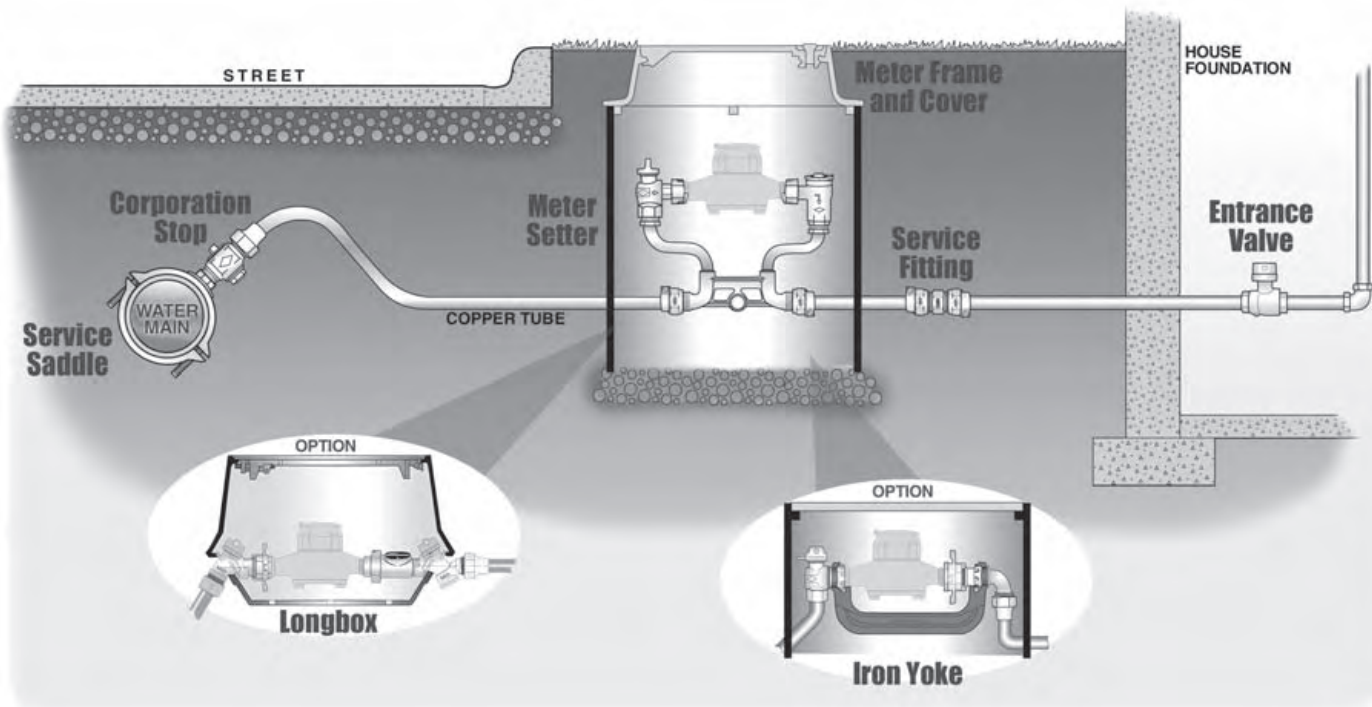
76 Series Longbox

Longboxes include an inline dual check valve inside the box



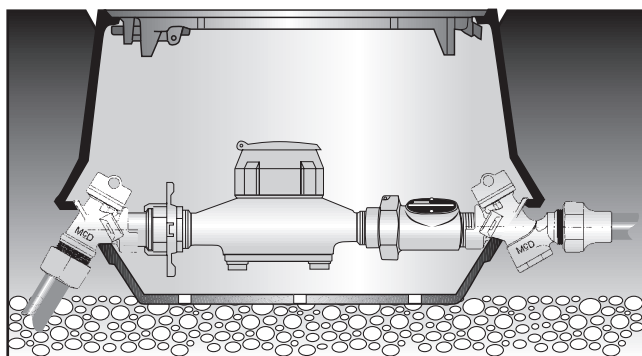
75 Series Yokebox

Yokeboxes are more compact. An inline dual check valve may be used outside the box

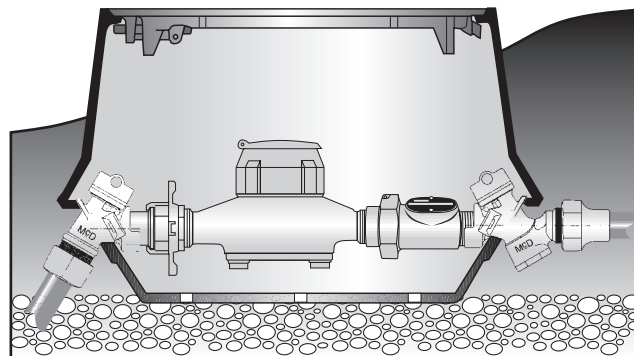


General Information

Installation

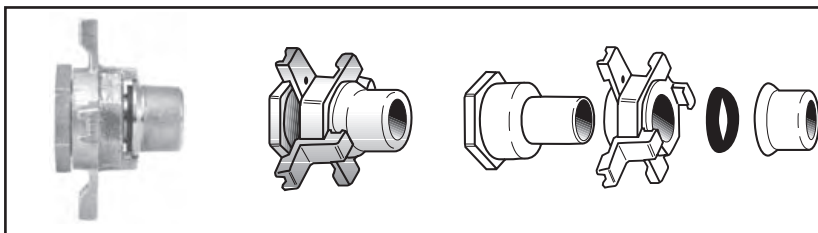


Correct



Incorrect

1. Backfill to make certain the grade is level with the top of the box. This will help avoid a tripping hazard.
2. Lock lid securely into place. Locking style lids are preferred to prevent unauthorized removal that could create a safety hazard. If a lockless style lid is used, make certain it fits properly into the frame and is not subject to sliding or tipping out of position. A.Y. McDonald lockless lids have extra long alignment lugs to detect improper lid placement.
3. Lids and boxes are designed as a unit. Components are not interchangeable with other manufacturer's products. User assumes all responsibility of using A.Y. McDonald lids with another manufacturer's meter box.
4. Check periodically to ensure correct operation of locking devices and to make sure the lid remains at ground level.

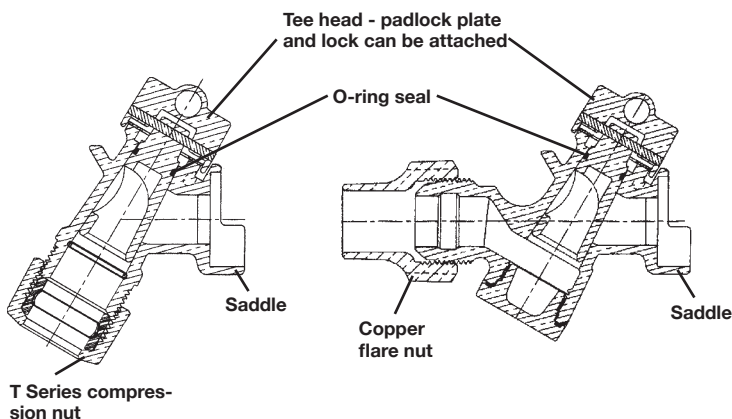


Expansion Connection

All longboxes and yokeboxes include an expansion connection, eliminating the need for a wrench during meter changeouts.

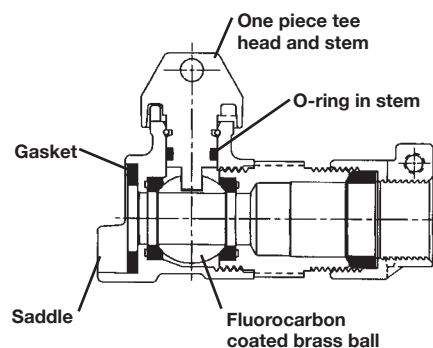
Plug Valve Features

The plug valve holds the plug in place using a drive pin and a spring washer. An O-ring provides additional leakage protection. Angle valves are 60° from horizontal. A variety of inlet and outlet couplings are available for copper or plastic tubing, PVC, PE, or iron pipe.



Ball Valve Features

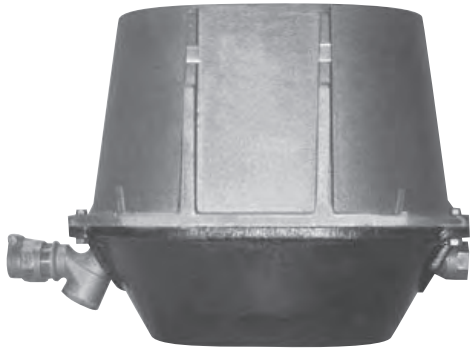
The ball valve features a solid one piece tee-head and stem. An O-ring in the stem assures a watertight seal at the top. Molded rubber seats support the ball. The fluorocarbon coated brass ball will provide years of maintenance free service. A variety of inlet and outlet couplings are available for copper or plastic tubing, PVC, PE, or iron pipe.



Longboxes and Yokeboxes

Series 75 Yokeboxes

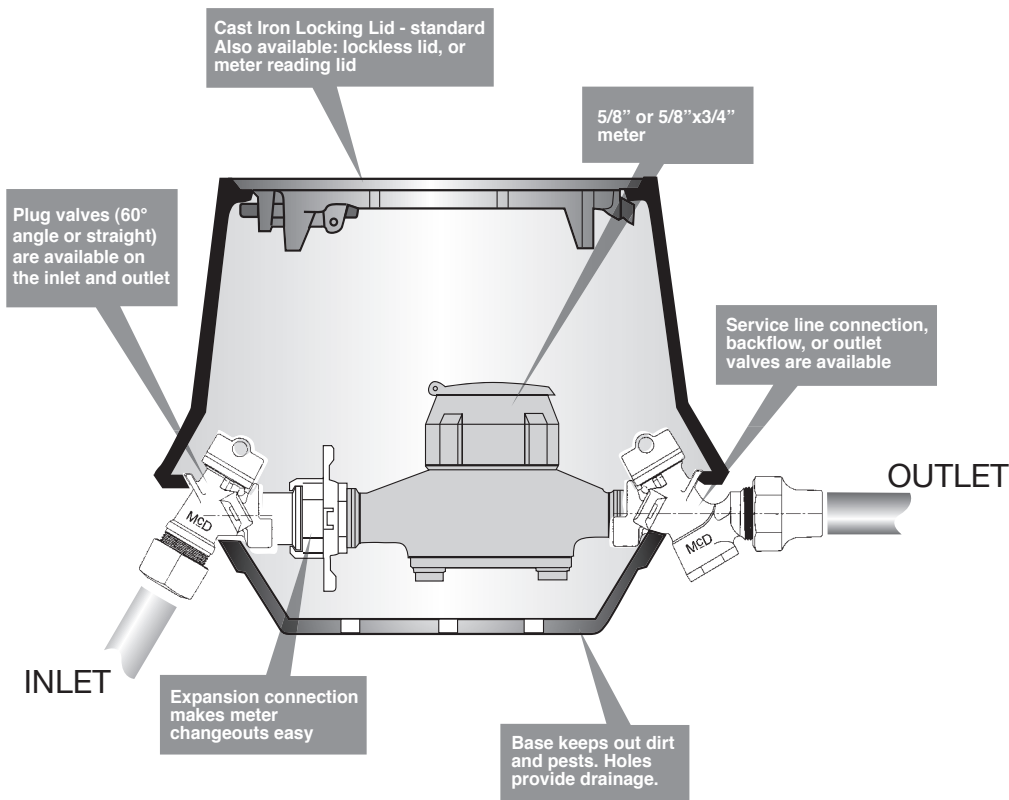
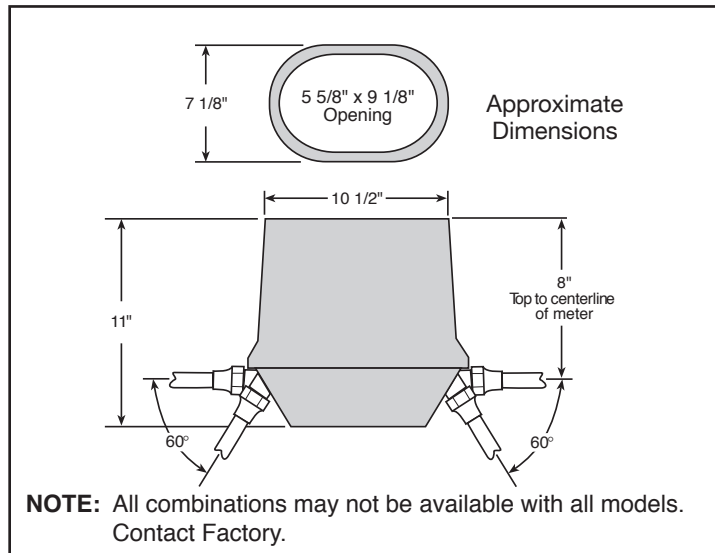
- A.Y. McDonald Mfg. Co. Yokeboxes** consist of:
- A cast iron base
 - An upper section (cast iron or plastic)
 - A lid (locking or lockless)
 - An inlet and outlet connection
 - Expansion connection



Straight or angle plug valves are available for the yokebox inlet and outlet.

All angle valves are 60° from horizontal. Straight back flow or connection outlets are available.

The base keeps out dirt, mud, and pests, resulting in a cleaner meter. Holes in the base provide drainage.



Lids

75L1

75L2

75L3

75L6

For custom logo lids, contact factory.

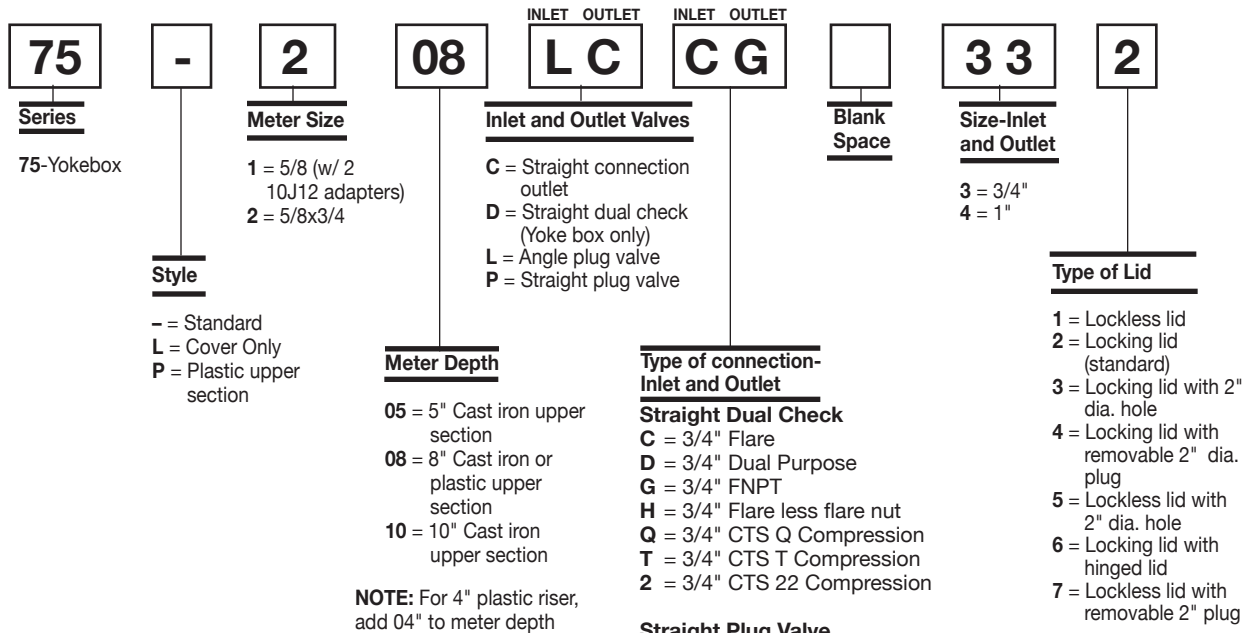
Series 75 Yokeboxes - For 5/8" or 5/8"x3/4" Meters



Standard Yokebox includes:

- Shallow, Center line of meter 8" below grade
- 5/8"x3/4" meter standard
- Locking lid standard
- Cast iron construction

To order Yoke Boxes: Model No. **75-208LCCG 332** means:



EXAMPLE:
Model No. 75-208LCCG 332
 •Standard 8" deep yokebox
 •5/8x3/4 meter
 •3/4" flare angle plug valve inlet
 •3/4" FNPT integral straight connection outlet
 •It has a locking lid

•Not all combinations available. Contact factory.

Straight Plug Valve
 C = 3/4" Flare
 D = 3/4" Dual Purpose
 G = 3/4" FIP Integral
 H = 3/4" Flare less flare nut
 M = 3/4" MIP Union
 Q = 3/4" or 1" CTS Q Compression
 T = 3/4" or 1" CTS T Compression
 Z = 3/4" 3Q PEP Compression
 2 = 3/4" or 1" CTS 22 Compression
 3 = 3/4" 33 PEP Compression
 4 = 3/4" 44 PVC Compression
 5 = 3/4" 55 IP Compression

Straight Connection
 G = 3/4" FNPT
 2 = 3/4" CTS 22 Compression

Angle Plug Valve
 C = 3/4" Flare
 H = 3/4" Flare less flare nut
 Q = 3/4" or 1" CTS Q Compression
 T = 3/4" or 1" CTS T Compression
 Z = 3/4" 3Q PEP Compression
 2 = 3/4" or 1" CTS 22 Compression
 3 = 3/4" 33 PEP Compression
 4 = 3/4" 44 PVC Compression
 5 = 3/4" 55 IP Compression

Longboxes and Yokeboxes

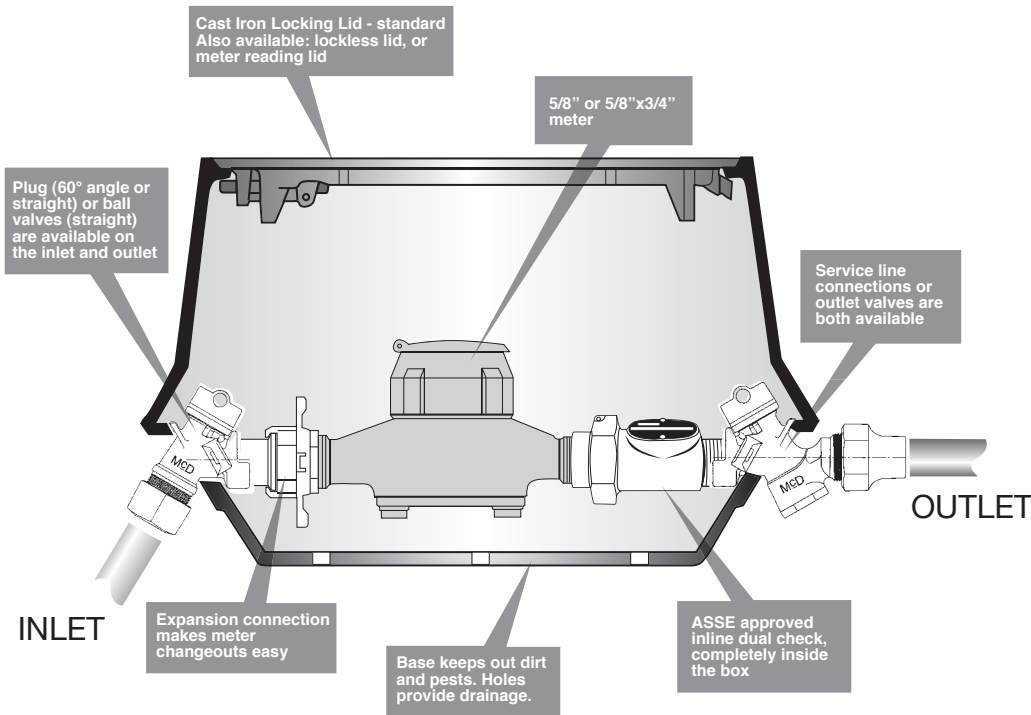
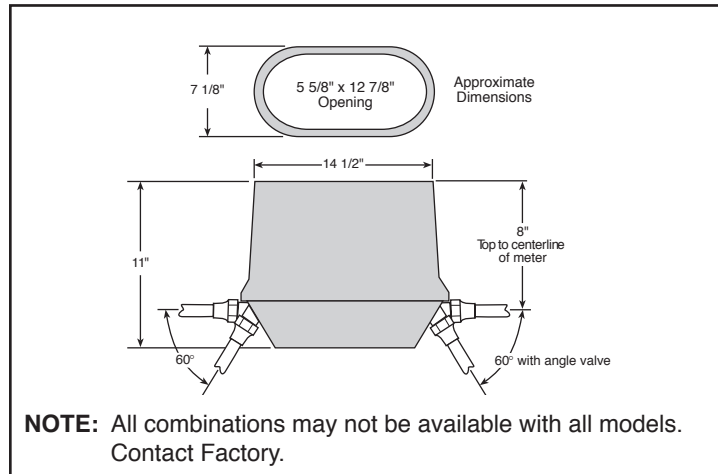
Series 76 Longboxes

- A.Y. McDonald Mfg. Co. Longboxes consist of:
- A cast iron base
 - An upper section (cast iron or plastic)
 - A lid (locking or lockless)
 - An inlet and outlet connection
 - Expansion connection
 - An inline dual check valve



Straight or angle plug valves or straight ball valves are available for the longbox inlet and outlet. All angle valves are 60° from horizontal. Straight connection outlets are also available.

The base keeps out dirt, mud, and pests, resulting in a cleaner meter. Holes in the base provide drainage.



Lids

76L1

76L2

76L3

For custom logo lids, contact factory.

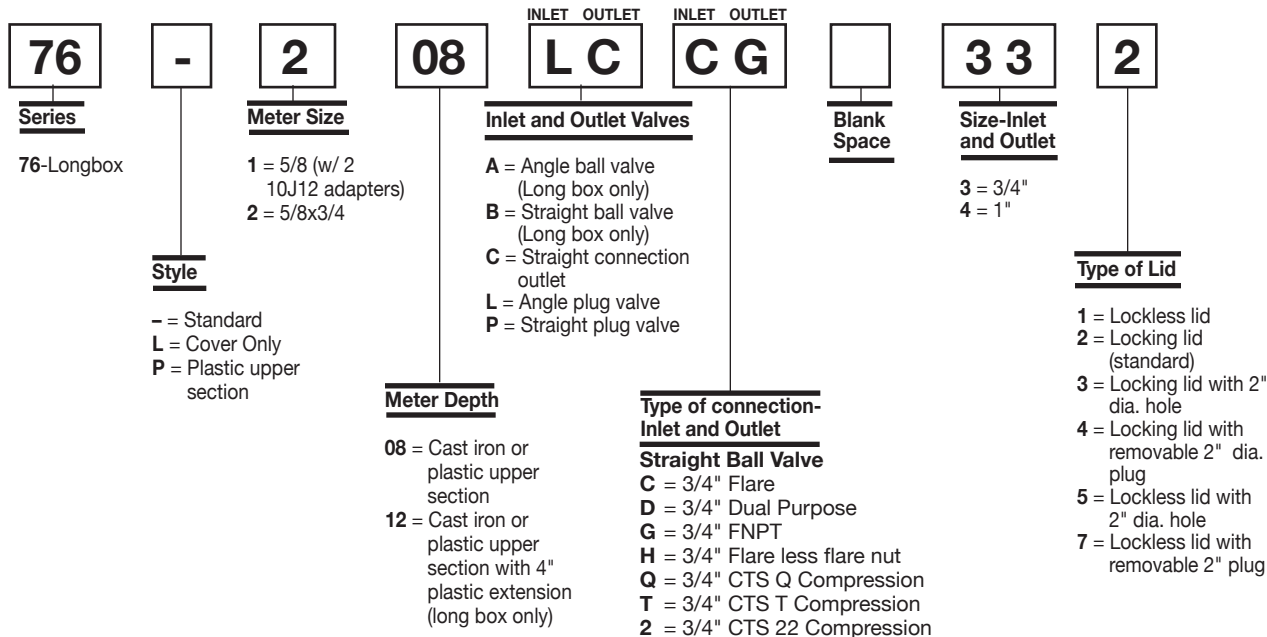
Series 76 Longboxes - For 5/8" or 5/8"x3/4" Meters



Standard Long Box is:

- Center line of meter 8" below grade
- 5/8"x3/4" meter
- Locking lid
- Cast iron construction

To order Long Boxes: Model No. **76-208LCCG 332** means:



EXAMPLE:

Model No. **76-208LCCG 332**

- Standard 8" deep longbox
- 5/8x3/4 meter
- 3/4" flare angle plug valve inlet
- 3/4" FNPT integral straight connection outlet
- It has a locking lid

•Not all combinations available. Contact factory.

Straight Plug Valve

- C = 3/4" Flare
- D = 3/4" Dual Purpose
- H = 3/4" Flare less flare nut
- M = 3/4" MIP Union
- Q = 3/4" or 1" CTS Q Compression
- T = 3/4" or 1" CTS T Compression
- U = 3/4" 3T PEP Compression
- Z = 3/4" 3Q PEP Compression
- 2 = 3/4" or 1" CTS 22 Compression
- 3 = 3/4" 33 PEP Compression
- 4 = 3/4" 44 PVC Compression
- 5 = 3/4" 55 IP Compression

Straight Connection

- G = 3/4" FNPT

Angle Plug Valve

- C = 3/4" Flare
- H = 3/4" Flare less flare nut
- Q = 3/4" or 1" CTS Q Compression
- T = 3/4" or 1" CTS T Compression
- U = 3/4" 3T PEP Compression
- Z = 3/4" 3Q PEP Compression
- 2 = 3/4" or 1" CTS 22 Compression
- 3 = 3/4" 33 PEP Compression
- 4 = 3/4" 44 PVC Compression
- 5 = 3/4" 55 IP Compression

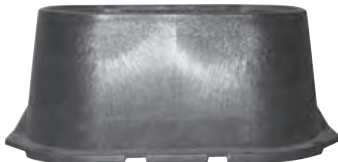
Longboxes and Yokeboxes

Accessories and Lids

Longbox



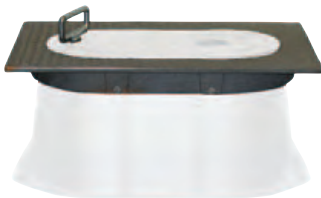
76-US08 (Iron)



76PUS08 (Plastic)



**76PEX04
4" Plastic Riser**



**76-2CF
Concrete Anchor Flange**

Yokebox



75-US08 (Iron)



75PUS08 (Plastic)



**75PEX04
4" Plastic Riser**



**75GA
Grade Adjuster**

Parts & Accessories

Iron Upper Section

Longbox - 8" only available.
Yokebox - 5", 8" or 10" available.

Plastic Upper Section - Add "P" to model number in place of "-".
8" only available.

4" Plastic riser adds 04" to meter depth in model number. For use with Cast Iron or Plastic upper section.

Anchor Flange allows the Cast Iron Longbox to be securely anchored into concrete.

Grade Adjuster allows 1 1/2" to 3" of height adjustment to the 75 series Cast Iron Yokebox. Includes hardware.

14-2G - Gasket

76PEXS - Screw package works on 75 & 76 lids

76-2J - Long box idler

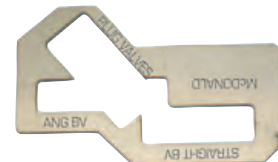
76-2SA - Sub assy/Long box hardware (Expander, dual check and gaskets)



**75Key
Works on both
Yoke and Long Boxes**



**14-2EHG
Expansion Connection**



**75LP
Lock Plate**



A.Y. McDonald Mfg. Co.

PLUMBING VALVES • PUMPS • WATER WORKS • GAS VALVES

800-292-2737 • Fax 800-832-9296

Visit our online catalog at www.aymcdonald.com

