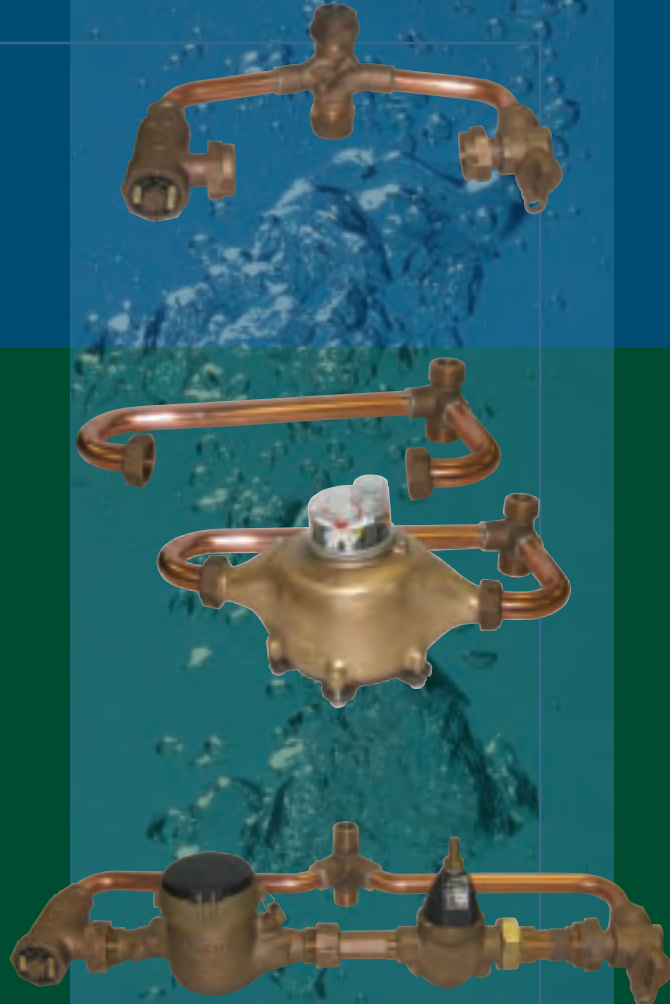




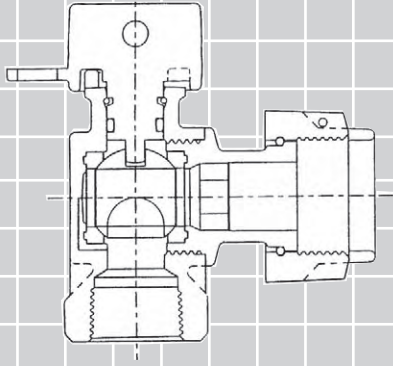
COPPER
METER
INSETTERS

Pollardwater.com
THE PROFESSIONAL'S CHOICE
www.pollardwater.com
TOLL FREE 800-437-1146

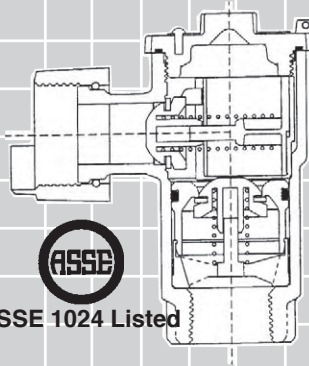


A.Y. McDONALD MFG. CO.
WATER SERVICE PRODUCTS

Valves and Bottom Bar Adapters

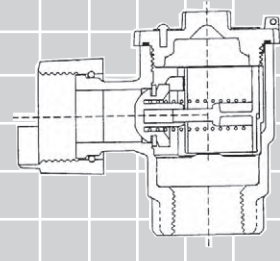


Angle Meter Valve Ball Style

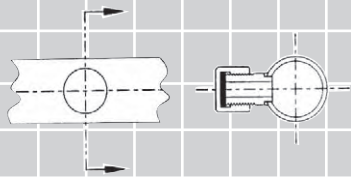


ASSE 1024 Listed

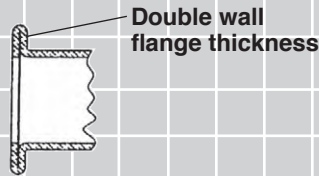
Angle Dual Check Valve



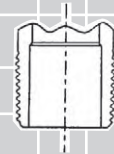
Single Poppet Check Valve



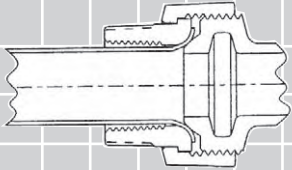
Test Valve in Tubing



Copper Tube Flange

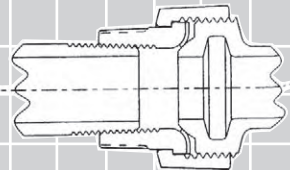


MIP Threads

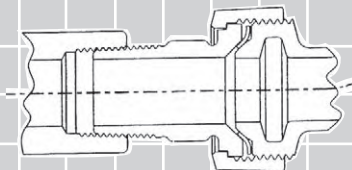


Flare

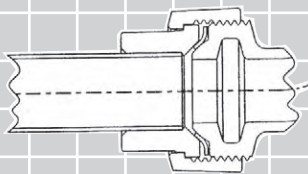
DOUBLE PURPOSE



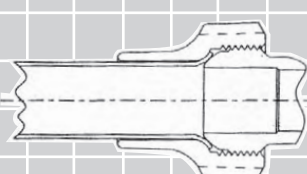
FIP Threads



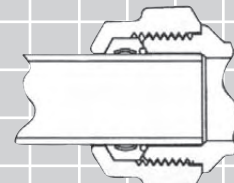
Male Union



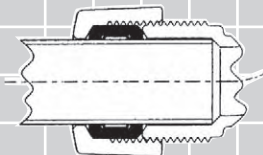
Solder Union



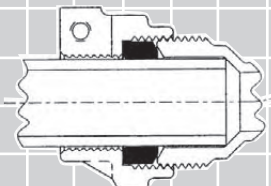
Flare



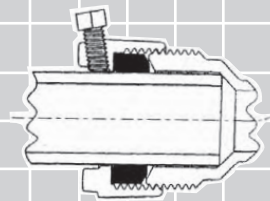
Q & 3Q Series Compression



"T" Series Compression



"22"- "33"- "44" Series Comp.

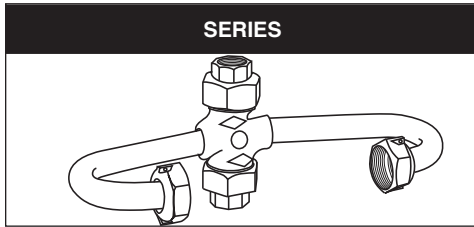


"55" Series Compression

* Outlet test valve is available on all insetters and resetters.

COPPER METER INSETTER NUMBERING SYSTEM

Model number **40 -2-- -- MF 33** means...

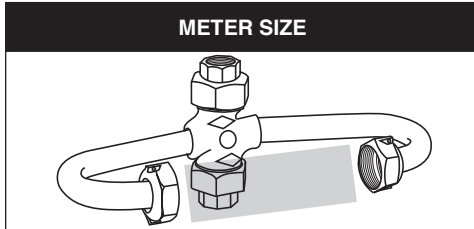


SERIES

40 -2----MF 33

Copper Meter Insetter Series

40, 41, 42, 43, 44, 45, 46, 47, 48, 49

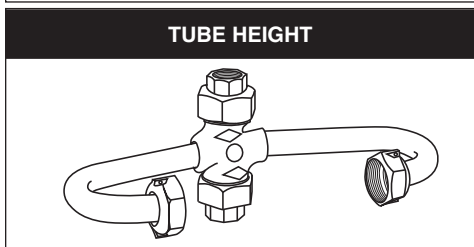


METER SIZE

40 -2 ----MF 33

Meter Sizes

-1 = 5/8 Meter -3 = 3/4 Meter
 -2 = 5/8x3/4 Meter -4 = 1 Meter

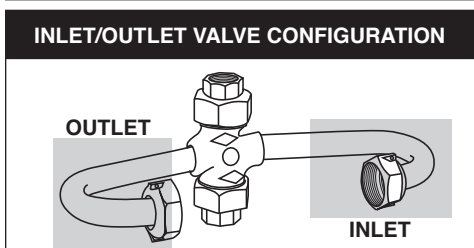


TUBE HEIGHT

40-2 -- --MF 33

Tube Height

Not Applicable



INLET/OUTLET VALVE CONFIGURATION

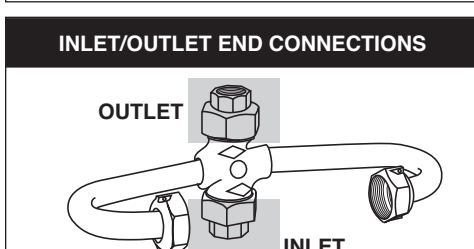
OUTLET

INLET

40-2-- -- MF 33

Inlet/Outlet Valve Configuration

Not Applicable



INLET/OUTLET END CONNECTIONS

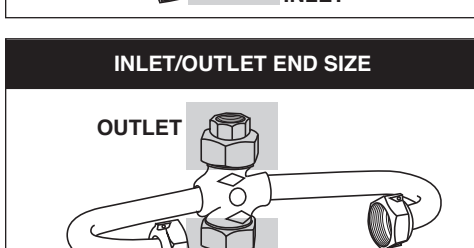
OUTLET

INLET

40-2---- MF 33
IN OUT

Inlet/Outlet End Connections

C = Copper Flare T = "T" Series Comp.-CTS*
 D = Double Purpose (Flare or FIP) Z = "3Q" Series Comp. IPS-P.E.*
 F = Female Union 2 = "22" Series Mac-Pak Comp. CTS*
 M = Male Union 3 = "33" Series Mac-Pak Comp. IPS-P.E.*
 P = MIP (No Coupling) 4 = "44" Series Mac-Pak Comp. IPS-P.V.C.
 Q = "Q" Series Comp. CTS* 5 = "55" Series Mac-Pak Comp. IPS-Steel Pipe
 S = Solder Union *Not all end connections available on all styles of meter setters.



INLET/OUTLET END SIZE

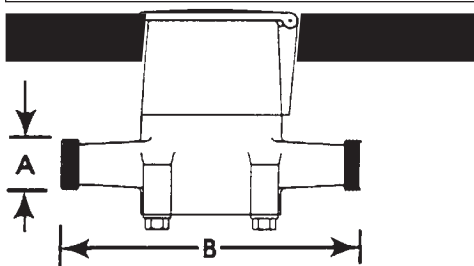
OUTLET

INLET

40-2----MF 33
IN OUT

Inlet/Outlet End Sizes

1 = 1/2" 3 = 3/4"
 2 = 5/8" 4 = 1"



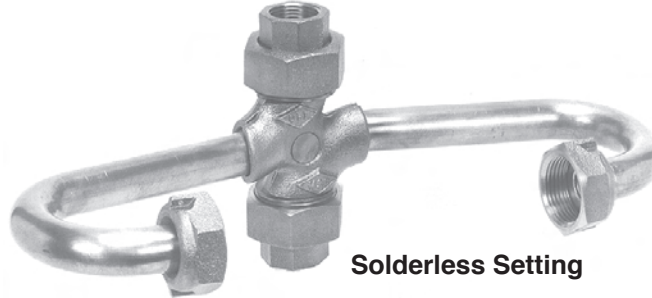
METER DIMENSIONS

Meter Size	5/8	5/8 x 3/4	3/4	1
A-Meter Threads	3/4"	1"	1"	1 1/4"
B-Laying Length	7 1/2"	7 1/2"	9"	10 3/4"
A.Y. McDonald Spacing*	7 13/16"	7 13/16"	9 5/16"	11 3/32"

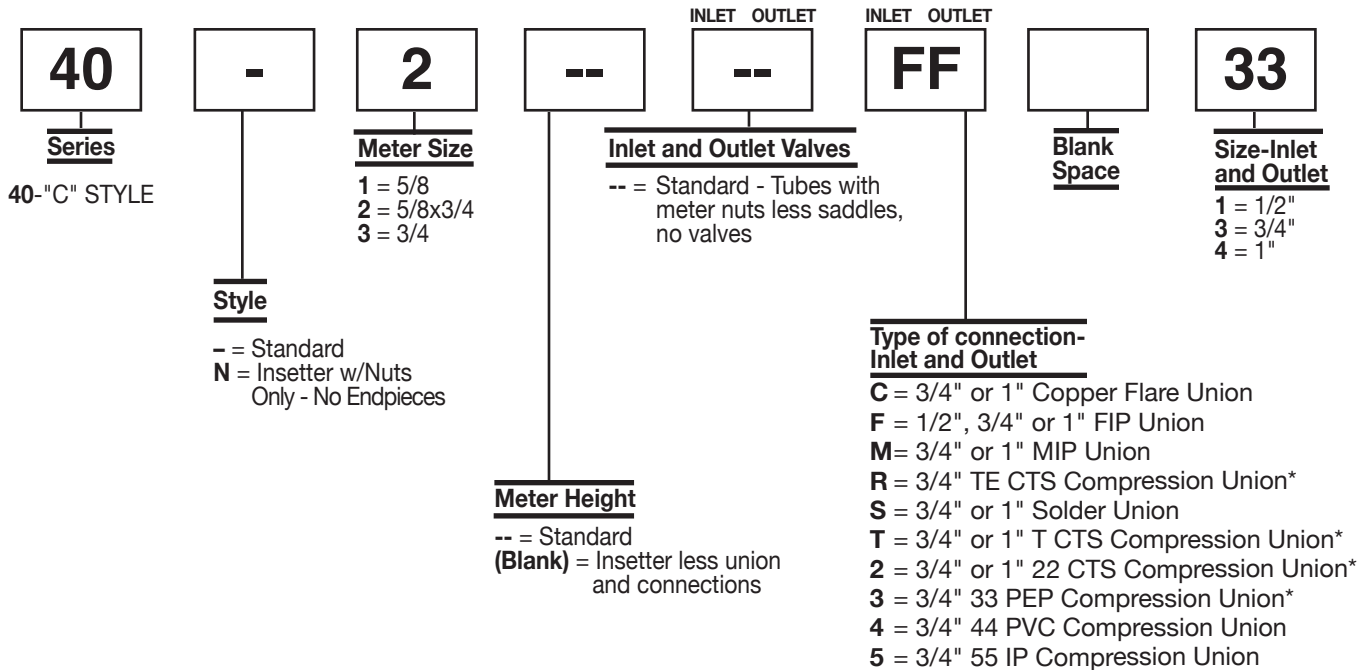
*Allows for meter and two gaskets.

Series 40 • "C" Style

5/8, 5/8 x 3/4 or 3/4 Meter Settings



To order "C" Style: Model No. **40-2----FF 33** above means:



Assemblies shipped with two meter gaskets.

*Insert stiffeners are **required** on all flexible plastic connections.

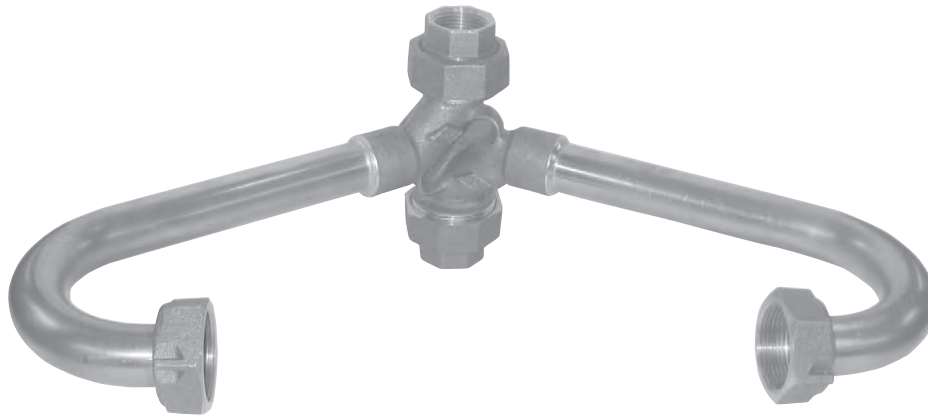
Not all combinations available, contact factory with your requirements.

MOST METER SETTERS ARE MADE TO ORDER AND ARE NOT RETURNABLE.

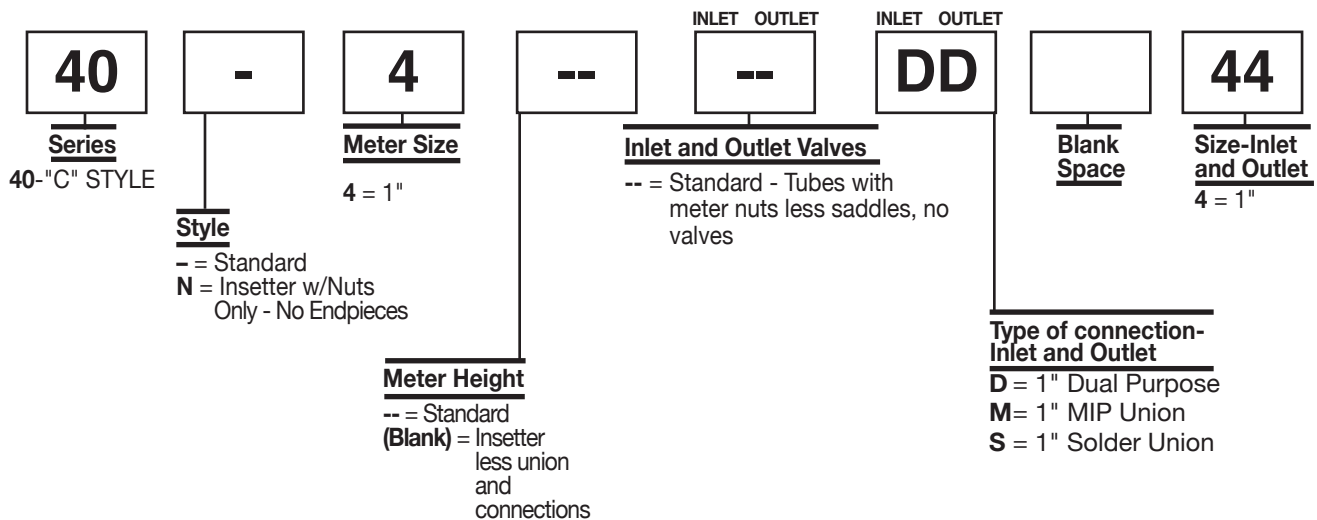
Please verify with the factory that the model number you have configured is available and meets your requirements.

Series 40 • "C" Style

1" Meter Settings



To order "C" Style: Model No. **40-4----DD 44** above means:



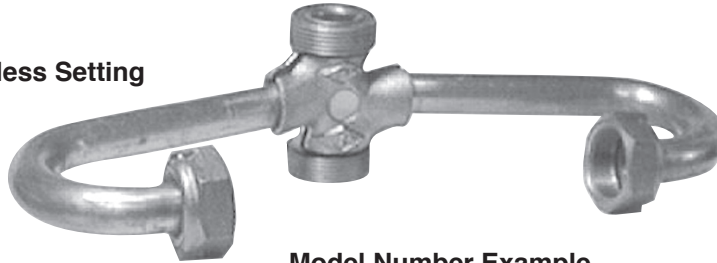
Assemblies shipped with two meter gaskets.

Not all combinations available, contact factory with your requirements.
MOST METER SETTERS ARE MADE TO ORDER AND ARE NOT RETURNABLE.
 Please verify with the factory that the model number you have configured is available and meets your requirements.

Series 40 • "C" Style

Less End Connections and Union Nuts

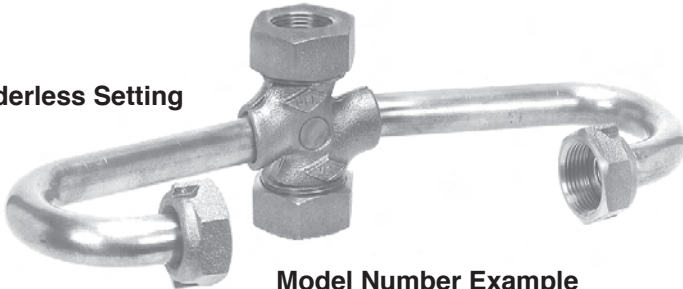
Solderless Setting



Model Number Example
40 - 2

Less End Connections and Union Nuts

Solderless Setting



Model Number Example
40N2



Model Number Example
40N4

Assemblies shipped with two meter gaskets.

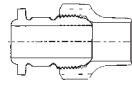

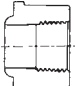
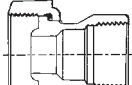

Not all combinations available, contact factory with your requirements.

MOST METER SETTERS ARE MADE TO ORDER AND ARE NOT RETURNABLE.

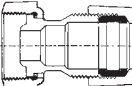
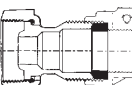

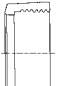
Please verify with the factory that the model number you have configured is available and meets your requirements.

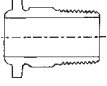
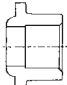
Series 40 • "C" Style - Unions

Unions

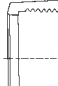



5/8, 5/8x3/4 or 3/4 Meters		
MODEL	DESCRIPTION	
40-C3	3/4" Flare Union	
40-C4	1" Flare Union with swivel nut	
40-F1	1/2" FIP Union	
40-F3	3/4" FIP Union	
40-F4	1" FIP Union with swivel nut	

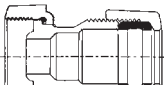
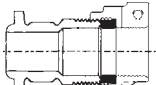
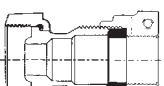
5/8, 5/8x3/4 or 3/4 Meters		
MODEL	DESCRIPTION	
40-C3	3/4" Flare Union	
40-C4	1" Flare Union with swivel nut	
40-F1	1/2" FIP Union	
40-F3	3/4" FIP Union	
40-F4	1" FIP Union with swivel nut	

5/8, 5/8x3/4 or 3/4 Meters		
MODEL	DESCRIPTION	
40-33	3/4" -33 Comp* Union-IPS with swivel nut	
40-43	3/4" -44 Comp Union-PVC with swivel nut	
40-53	3/4" -55 Comp Union-IP with swivel nut	
40-N	3/4" Union Nut	

5/8, 5/8x3/4 or 3/4 Meters		
MODEL	DESCRIPTION	
40-M3	3/4" MIP Union	
40-M4	1" MIP Union	
40-S3	3/4" Solder Union	
40-S4	1" Solder Union	

5/8, 5/8x3/4 or 3/4 Meters		
MODEL	DESCRIPTION	
40-M3	3/4" MIP Union	
40-M4	1" MIP Union	
40-S3	3/4" Solder Union	
40-S4	1" Solder Union	

1 Meters		
MODEL	DESCRIPTION	
40-4N	1" Union Nut	
40-4D4	1" Double Purpose Union	
40-4M4	1" MIP Union	
40-4S4	1" Solder Union	

5/8, 5/8x3/4 or 3/4 Meters		
MODEL	DESCRIPTION	
40-T3	3/4" T Comp* Union-CTS	
40-T4	1" T Comp* Union-CTS with swivel nut	
40-23	3/4" -22 Comp* Union-CTS	
40-24	1" -22 Comp* Union-CTS with swivel nut	

5/8, 5/8x3/4 or 3/4 Meters		
MODEL	DESCRIPTION	
40-T3	3/4" T Comp* Union-CTS	
40-T4	1" T Comp* Union-CTS with swivel nut	
40-23	3/4" -22 Comp* Union-CTS	
40-24	1" -22 Comp* Union-CTS with swivel nut	

Gaskets		
MODEL	DESCRIPTION	
18-G1	5/8" Meter	
18-G2	5/8"x3/4" Gaskets	
18-G3	3/4" Gaskets	
18-G4	1" Gaskets	
20G4	1" Dual Purpose Gasket	

*Insert stiffeners are **required** on all flexible plastic connections.

Series 41 • "K" Style

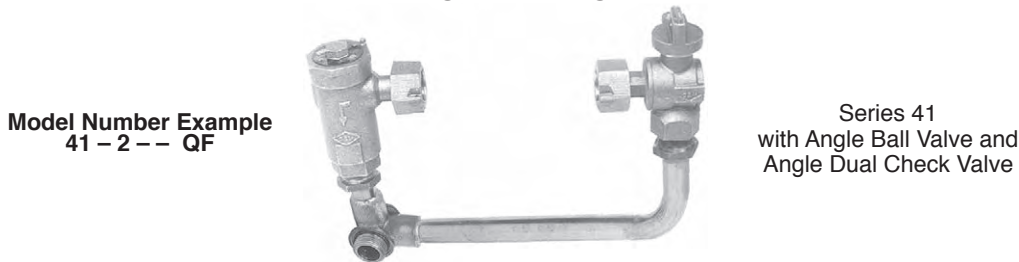
5/8, 5/8 x 3/4 or 3/4 Meter Settings



To order "K" Style: Model No. **41-2** above means:

41	-	2
<u>Series</u> 41	<u>Style</u> -- = Standard C = K-Style Insetting with 44 series tubes D = 7/8" tube (Not available for 5/8" meters with flange)	<u>Meter Size</u> 1 = 5/8" 2 = 5/8" x 3/4" 3 = 3/4"

Meter Settings w/Integral Valves



To order "K" Style: Model No. **41-2--QF** above means:

41	-	2	--	QF
<u>Series</u> 41	<u>Style</u> -- = Standard C = K-Style Insetting with 44 series tubes D = 7/8" tube (Not available for 5/8" meters with flange) X = K-Style or 44 Style with Right hand configuration	<u>Meter Size</u> 1 = 5/8" 2 = 5/8" x 3/4" 3 = 3/4"	<u>Meter Height</u> -- = Standard (Blank) = Standard settings less valve and end connections	<u>Inlet and Outlet Valves</u> INLET OUTLET -- = Standard - Tubes with meter nuts less saddles, no valves A = Single check valve F = Angle Dual Check Valve N = No Valve - Meter Nut Q = Lockwing Ball Valve (Blank) = Standard settings less valve and end connections

Assemblies shipped with two meter gaskets.
41S O-Ring available 25 per bag (sold in bags only)

•Valves and compression assemblies ordered separately. See page 9.
•**INLINE DUAL CHECK BACKFLOW VALVES** available for 5/8, 5/8x3/4 and 3/4 "K" Style insetters. **See Page 23.**
Contact Factory for setting with test valve soldered in tubing.

NOTE: Unless specified all components have meter nuts without saddles.

Not all combinations available, contact factory with your requirements.
MOST METER SETTERS ARE MADE TO ORDER AND ARE NOT RETURNABLE.
Please verify with the factory that the model number you have configured is available and meets your requirements.

Series 41 • “K” Style

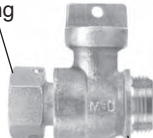
Compression Assemblies & Ball Valves

Valves for Model 41-1, 42-2 or 41-3 “K” Style Insetters



61011W

41SKBV
O-Ring



61001S

41S
O-Ring

MODEL	VALVE SIZE	DESCRIPTION
61001S	3/4"x5/8"x3/4"	"K" Swivel Nut x "K" Male Thread
61001SD	3/4"x5/8"x3/4"	"K" Swivel Nut x "K" Male Thread with test port/drain
61001SW	3/4"x5/8"x3/4"	"K" Swivel Nut x "K" Male Thread with Lockwing
41SO-Ring available-25 per bag (sold in bags only)		
41SKBV O-Ring available-25 per bag (sold in bags only)		
61011W	3/4"x5/8"x3/4"	FIP x "K" Thread
61011W	3/4"	FIP x "K" Thread
61021W	3/4"x5/8"x3/4"	Flare x "K" Thread
61021W	3/4"	Flare x "K" Thread
61021W	1"x3/4"x3/4"	Flare x "K" Thread
61021WT*	3/4"x5/8"x3/4"	"T" compression x "K" Thread
61021WT*	3/4"	"T" compression x "K" Thread
61021WT*	1"x3/4"x3/4"	"T" compression x "K" Thread
61021W-22*	3/4"x5/8"x3/4"	"22" compression x "K" Thread
61021W-22*	3/4"	"22" compression x "K" Thread
61021W-22*	1"x3/4"x3/4"	"22" compression x "K" Thread
61021W-33*	3/4"	"33" compression x "K" Thread
61021W-44	3/4"	"44" compression x "K" Thread
61021W-55	3/4"	"55" compression x "K" Thread



61021W



61021WT



61021W-22
61021W-33
61021W-44

Fittings for Model 41-1, 41-2 or 41-3 “K” Style Insetters



47541T



47541-22, 47541-33
47541-44



47541-55

MODEL	SIZE	DESCRIPTION
47541P	3/4"	MIP x "K" Thread
47541S	1/2"x3/4"	Solder x "K" Thread
47541S	3/4"	Solder x "K" Thread
47541T*	3/4"	"T" compression x "K" Thread
47541Q*	3/4"	"Q" compression x "K" Thread
47541-22*	3/4"	"22" compression x "K" Thread
47541-22*	1/2"x3/4"	"22" compression x "K" Thread
47541T*	1"x3/4"	"T" compression x "K" Thread
47541TE*	1"x3/4"	"TE" compression x "K" Thread
47541-22*	1"x3/4"	"22" compression x "K" Thread
47541T*	1 1/4"x3/4"	"T" compression x "K" Thread
47541-22*	1 1/4"x3/4"	"22" compression x "K" Thread
47541-33*	3/4"	"33" compression x "K" Thread
47541-33*	1"x3/4"	"33" compression x "K" Thread
47541-44	1/2"x3/4"	"44" compression x "K" Thread
47541-44	3/4"	"44" compression x "K" Thread
47541-44	1"x3/4"	"44" compression x "K" Thread
47541-55	3/4"	"55" compression x "K" Thread
47541-55	1"x3/4"	"55" compression x "K" Thread
47541G	-	Copper spacing gasket

*Insert stiffeners are required on all flexible plastic connections.

Series 41 • "K" Style

1" Meter Settings



Model Number Example
41 - 4

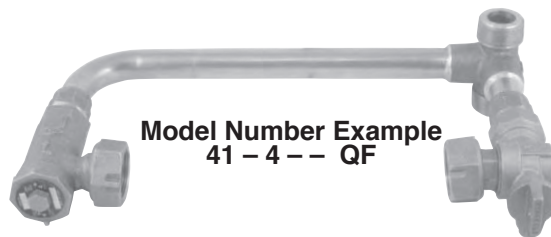
To order "K" Style: Model No. **41-4** above means:

41	-	4
<u>Series</u>	<u>Style</u>	<u>Meter Size</u>
41	-- = Standard	4 = 1"

C = K-Style Insetting with 44 series tubes
X = K-Style or with Right hand configuration

Meter Settings w/Integral Valves

Series 41
with Angle Ball Valve and
Angle Dual Check Valve



Model Number Example
41 - 4 -- QF

To order "K" Style: Model No. **41-4--QF** above means:

41	-	4	--	QF
<u>Series</u>	<u>Style</u>	<u>Meter Size</u>	<u>Meter Height</u>	<u>Inlet and Outlet Valves</u>
41	-- = Standard	4 = 1"	-- = Standard	-- = Standard - Tubes with meter nuts less saddles, no valves
	C = K-Style Insetting with 44 series tubes		(Blank) = Standard settings less valve and end connections	A = Single check valve
	X = K-Style or with Right hand configuration			F = Angle Dual Check Valve
				N = No Valve
				Q = Lockwing Ball Valve
				(Blank) = Standard settings less valve and end connections

Assemblies shipped with two meter gaskets.

• Valves and compression assemblies ordered separately. See page 11.
Contact Factory for setting with test valve soldered in tubing.

NOTE: Unless specified all components have meter nuts without saddles.

Not all combinations available, contact factory with your requirements.

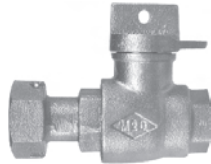
MOST METER SETTERS ARE MADE TO ORDER AND ARE NOT RETURNABLE.

Please verify with the factory that the model number you have configured is available and meets your requirements.

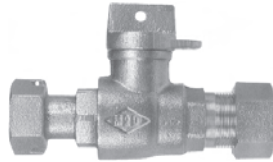
■ Series 41 • “K” Style

**Compression Assemblies & Ball Valves
for 1" "K" Style**

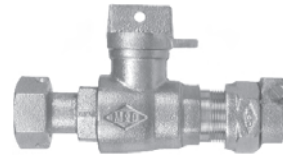
**Valves for Model 41-4
“K” Style Insetters**



6101MW



6100MWT



6100MW-22, 6100MW-33
6100MW-44

MODEL	VALVE SIZE	DESCRIPTION
6101MW	1"x3/4"x1"	Swivel x FIP
6101MW	1"	Swivel x FIP
6100MW	1"x3/4"x1"	Swivel x Flare
6100MW	1"	Swivel x Flare
6100MWT *	1"x3/4"x1"	Swivel x "T" compression
6100MWT *	1"	Swivel x "T" compression
6100MW-22 *	1"x3/4"x1"	Swivel x "22" compression
6100MW-22 *	1"	Swivel x "22" compression

**Fittings for Model 41-4
“K” Style Insetters**



4754T



4754-22, 4754-33
4754-44



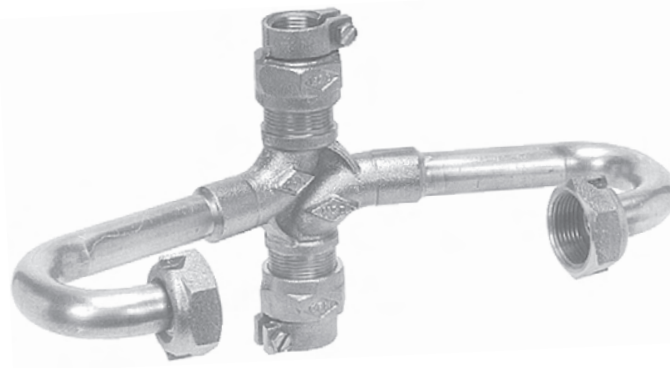
4754-55

MODEL	SIZE	DESCRIPTION
4754T*	1"x1 1/4"	"T" compression x FIP Thread
4754-22*	1"x1 1/4"	"22" compression x FIP Thread
4754T*	1 1/4"	"T" compression x FIP Thread
4754-22*	1 1/4"	"22" compression x FIP Thread
4754-33*	1 1/4"	"33" compression x FIP Thread
4754-33*	1"x1 1/4"	"33" compression x FIP Thread
4754-44	1"x1 1/4"	"44" compression x FIP Thread
4754-55	1"x1 1/4"	"55" compression x FIP Thread

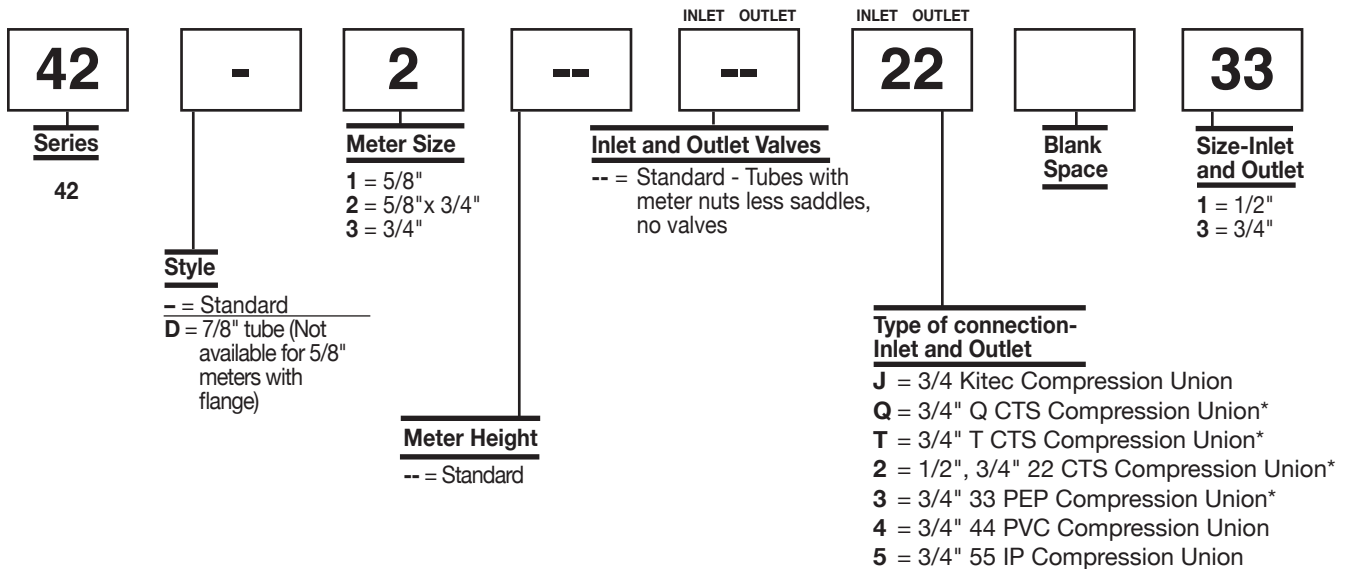
*Insert stiffeners are **required** on all flexible plastic connections.

Series 42 • "H" Style

5/8, 5/8 x 3/4 or 3/4 Meter Settings



To order "H" Style: Model No. **42-2----22 33** above means:



Assemblies shipped with two meter gaskets.

*Insert stiffeners are **required** on all flexible plastic connections.

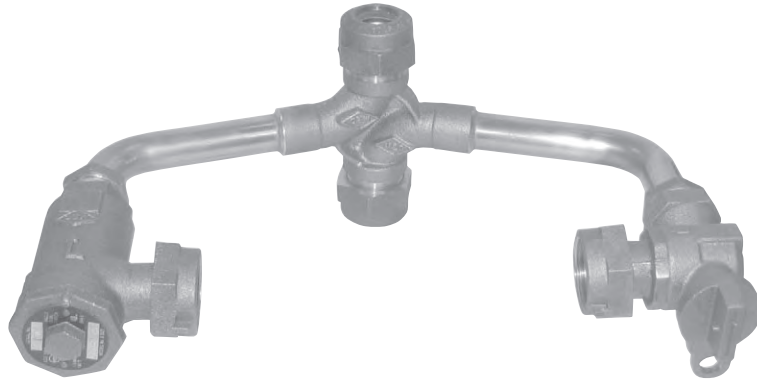
Not all combinations available, contact factory with your requirements.

MOST METER SETTERS ARE MADE TO ORDER AND ARE NOT RETURNABLE.

Please verify with the factory that the model number you have configured is available and meets your requirements.

■ Series 42 • “H” Style with Attached Valves

■ **5/8, 5/8 x 3/4 or 3/4 Meter Settings** ■



To order "H" Style: Model No. **42-2--QFQQ 33** above means:

42	-	2	--	QF	QQ		33
<u>Series</u> 42	<u>Style</u> -- = Standard	<u>Meter Size</u> 1 = 5/8" 2 = 5/8" x 3/4" 3 = 3/4"	<u>Meter Height</u> -- = Standard	<u>Inlet and Outlet Valves</u> -- = Standard - Tubes with meter nuts less saddles, no valves A = Single check valve F = Angle Dual Check Valve N = No Valve Q = Lockwing Ball Valve NOTE: Unless specified all components have meter nuts without saddles.	<u>Type of connection-Inlet and Outlet</u> J = 3/4 Kitec Compression Union Q = 3/4" Q CTS Compression Union* T = 3/4" T CTS Compression Union* 2 = 1/2", 3/4" 22 CTS Compression Union* 3 = 3/4" 33 PEP Compression Union* 4 = 3/4" 44 PVC Compression Union 5 = 3/4" 55 IP Compression Union	<u>Blank Space</u>	<u>Size-Inlet and Outlet</u> 1 = 1/2" 3 = 3/4"

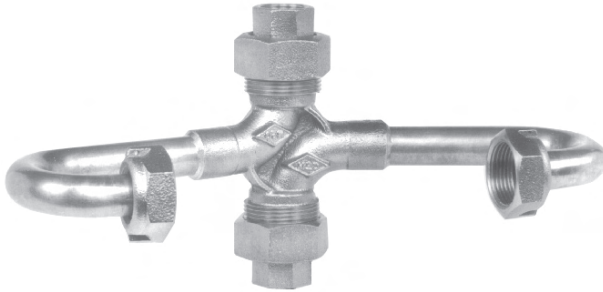
Assemblies shipped with two meter gaskets.

*Insert stiffeners are **required** on all flexible plastic connections.

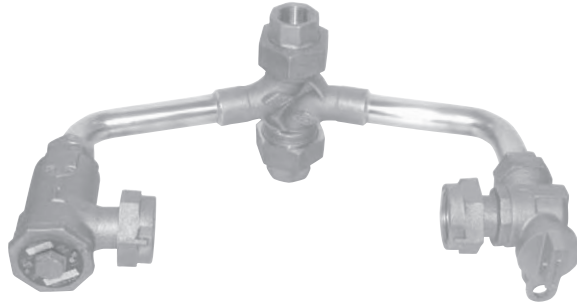
Not all combinations available, contact factory with your requirements.
MOST METER SETTERS ARE MADE TO ORDER AND ARE NOT RETURNABLE.
 Please verify with the factory that the model number you have configured is available and meets your requirements.

Series 43 - "M" Style • Double Purpose x Double Purpose

5/8, 5/8 x 3/4 or 3/4 Meter Settings



Model Number Example
43 - 2 - - - - DD 33



Model Number Example
43 - 2 - - - QFDD 33

To order "M" Style: Model No. **43-2-----DD 33** means:

43	-	2	--	INLET OUTLET --	INLET OUTLET DD	Blank Space	33
<u>Series</u> 43	<u>Style</u> - = Standard D = 7/8" tube (Not available for 5/8" meters with flange) N = Insetter w/Nuts Only - No End pieces	<u>Meter Size</u> 1 = 5/8" 2 = 5/8" x 3/4" 3 = 3/4"	<u>Meter Height</u> -- = Standard (Blank) = Insetter less union and connections	<u>Inlet and Outlet Valves</u> -- = Standard - Tubes with meter nuts less saddles, no valves A = Single check valve F = Angle Dual Check Valve N = No Valve Q = Lockwing Ball Valve NOTE: Unless specified all components have meter nuts without saddles.	<u>Type of connection-Inlet and Outlet</u> D = 3/4" Dual Purpose Union F = 1/2", 1" FIP Union L = Less nut or connection & nut M = 3/4", 1" MIP Union S = 3/4", 1" Solder Union T = 3/4", 1" T CTS Compression Union* 2 = 3/4", 1" 22 CTS Compression Union* 3 = 3/4" 33 PEP Compression Union* 4 = 3/4" 4 PVC Compression Union 5 = 3/4" 55 IP Compression Union	<u>Blank Space</u>	<u>Size-Inlet and Outlet</u> 1 = 1/2" 3 = 3/4" 4 = 1"

Assemblies shipped with two meter gaskets.

*Insert stiffeners are **required** on all flexible plastic connections.


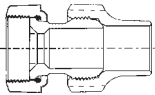
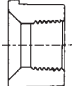

Not all combinations available, contact factory with your requirements.

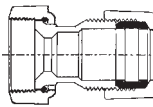
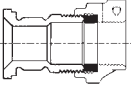

MOST METER SETTERS ARE MADE TO ORDER AND ARE NOT RETURNABLE.

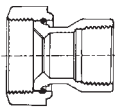


Please verify with the factory that the model number you have configured is available and meets your requirements.

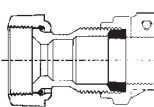
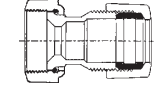

Series 43 - "M" Style • Double Purpose x Double Purpose

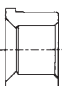

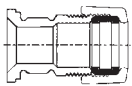

Unions - For 5/8, 5/8 x 3/4 or 3/4 "M" Style

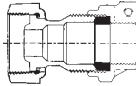
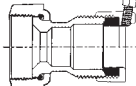
5/8, 5/8x3/4 or 3/4 Meters	
MODEL	DESCRIPTION
 20-C3	3/4" Flare Union
 20-C4	1" Flare Union with swivel nut
 20-F1	1/2" FIP Union
 20-D3	3/4" FIP Union

5/8, 5/8x3/4 or 3/4 Meters	
MODEL	DESCRIPTION
 20-T4	1" T Comp Union-CTS with swivel nut*
 20-R4	1" TE Comp Union-CTS with swivel nut*
 20-23	3/4" -22 Comp Union-CTS*

5/8, 5/8x3/4 or 3/4 Meters	
MODEL	DESCRIPTION
 20-F4	1" FIP Union with swivel nut
 20-M3	3/4" MIP Union
 20-M4	1" MIP Union

5/8, 5/8x3/4 or 3/4 Meters	
MODEL	DESCRIPTION
 20-24	1" -22 Comp Union-CTS with swivel nut*
 20-33	3/4" -33 Comp Union-IPS with swivel nut*
 20-U3	3/4" -3T Comp Union-IPS with swivel nut*

5/8, 5/8x3/4 or 3/4 Meters	
MODEL	DESCRIPTION
 20-S3	3/4" Solder Union
 20-S4	1" Solder Union
 20-T3	3/4" T Comp Union-CTS
 20-R3	3/4" TE Comp Union-CTS

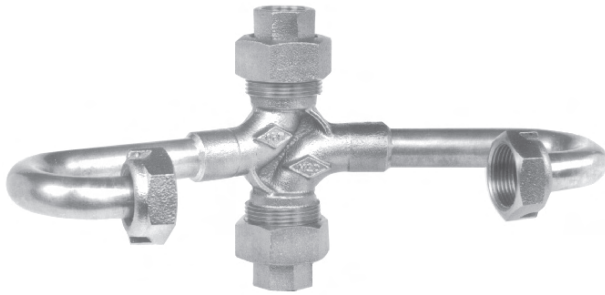
5/8, 5/8x3/4 or 3/4 Meters	
MODEL	DESCRIPTION
 20-43	3/4" -44 Comp Union-PVC with swivel nut
 20-53	3/4" -55 Comp Union-IP with swivel nut
Gasket	
20G3	Gasket

NOTE: Insetters normally supplied with end connections. The table above is for ordering replacement couplings.

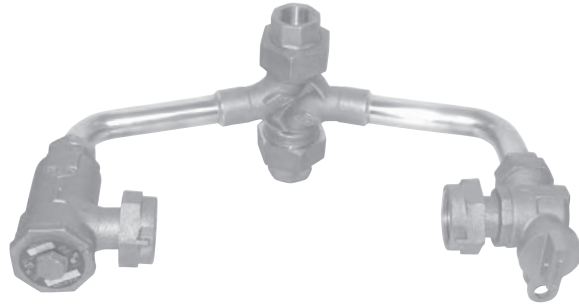
*Insert stiffeners are **required** on all flexible plastic connections.

Series 43 - "M" Style • Double Purpose x Double Purpose

1" Meter Settings



Model Number Example
43 - 4 - - - - DD 44



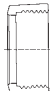

Model Number Example
43 - 4 - - QFDD 44

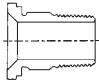
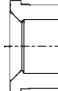
To order "M" Style: Model No. **43-4----DD 44** above means:

43	-	4	--	INLET OUTLET --	INLET OUTLET DD	Blank Space	44
<u>Series</u> 43	<u>Style</u> - = Standard N = Insetter w/Nuts Only - No Endpieces	<u>Meter Size</u> 4 = 1"	<u>Meter Height</u> -- = Standard (Blank) = Insetter less union and connections	<u>Inlet and Outlet Valves</u> -- = Standard - Tubes with meter nuts less saddles, no valves A = Single check valve F = Angle Dual Check Valve N = No Valve Q = Lockwing Ball Valve NOTE: Unless specified all components have meter nuts without saddles.	<u>Type of connection-Inlet and Outlet</u> D = 1" Dual Purpose L = Less nut or connection & nut M = 1" MIP Union S = 1" Solder Union	<u>Blank Space</u>	<u>Size-Inlet and Outlet</u> 4 = 1"

Assemblies shipped with two meter gaskets.

Unions

1 Meters		
MODEL	DESCRIPTION	
40-4N	1" Union Nut	
40-4D4	1" Double Purpose Union	

1 Meters		
MODEL	DESCRIPTION	
40-4M4	1" MIP Union	
40-4S4	1" Solder Union	

Gasket	
MODEL	DESCRIPTION
20G4	1" Dual Purpose Gasket

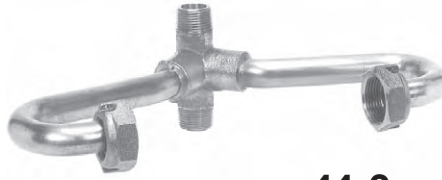
Not all combinations available, contact factory with your requirements.

MOST METER SETTERS ARE MADE TO ORDER AND ARE NOT RETURNABLE.

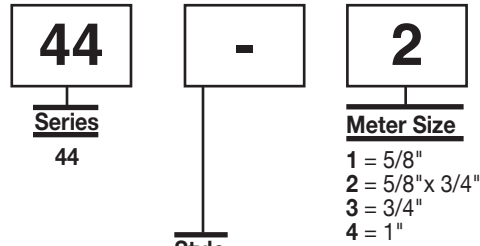
Please verify with the factory that the model number you have configured is available and meets your requirements.

Series 44 - "PU" Style • MIP Thread x MIP Thread

5/8, 5/8 x 3/4, 3/4 or 1 Meter Settings



To order "PU" Style: Model No. **44-2** means:

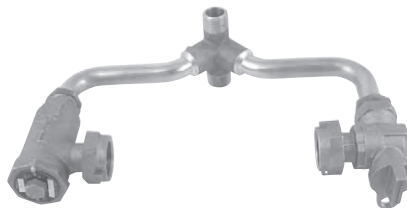


Inlet/Outlet Options:
MIP Thread x MIP Thread

-- = Standard
Q = PU Style Setter w/ K-Style tubes
X = PU Style w/ K-Styles tube in right hand configuration

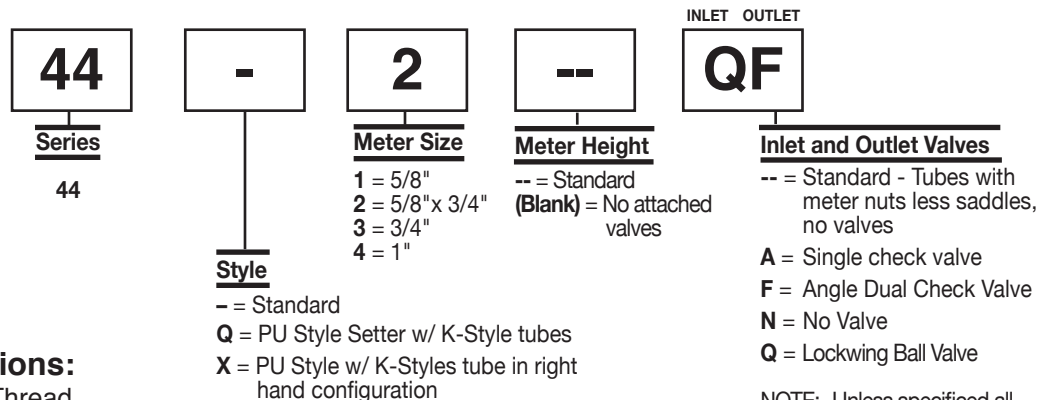
Meter Settings w/Integral Valves

With Angle Ball Valve and Angle Dual Check Valve



Model Number Example
44 - 2 -- QF

To order "PU" Style: Model No. **44-2--QF** above means:



Inlet/Outlet Options:
MIP Thread x MIP Thread

NOTE: Unless specified all components have meter nuts without saddles.

Assemblies shipped with two meter gaskets.

Not all combinations available, contact factory with your requirements.

MOST METER SETTERS ARE MADE TO ORDER AND ARE NOT RETURNABLE.

Please verify with the factory that the model number you have configured is available and meets your requirements.

Series 45 - "PZ" Style - Left Offset

5/8, 5/8 x 3/4, 3/4 or 1 Meter Settings



SERIES 45 LEFT

Model Number Example
45 - 2

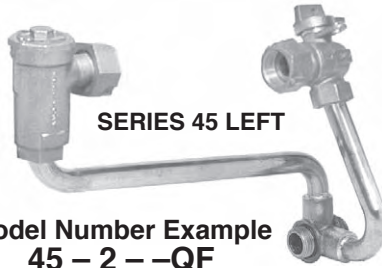
41S O-Ring

"K" Style thread

To order "PZ" Style: Model No. **45-2** above means:

45	-	2
<u>Series</u>	<u>Style</u>	<u>Meter Size</u>
45	- = Standard D = 7/8" tube (Not available for 5/8" meters with flange)	1 = 5/8" 2 = 5/8" x 3/4" 3 = 3/4" 4 = 1"

Meter Settings w/Integral Valves



SERIES 45 LEFT

Model Number Example
45 - 2 -- QF

To order "PZ" Style: Model No. **45-2--QF** above means:

45	-	2	--	QF
<u>Series</u>	<u>Style</u>	<u>Meter Size</u>	<u>Meter Height</u>	<u>Inlet and Outlet Valves</u>
45	- = Standard D = 7/8" tube (Not available for 5/8" meters with flange)	1 = 5/8" 2 = 5/8" x 3/4" 3 = 3/4" 4 = 1"	-- = Standard (Blank) = No Height	-- = Standard - Tubes with meter nuts less saddles, no valves (Blank) = No attached valves A = Single check valve F = Angle Dual Check Valve N = No Valve Q = Lockwing Ball Valve

• Valves and compression assemblies ordered separately.
See pages 9 and 11.

• **INLINE DUAL CHECK BACKFLOW VALVES** available for 5/8, 5/8x3/4 and 3/4 "PZ" Style insetters. See page 23.

Assemblies shipped with two meter gaskets.

NOTE: Unless specified all components have meter nuts without saddles.

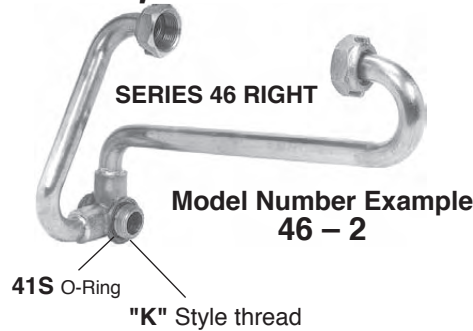
Not all combinations available, contact factory with your requirements.

MOST METER SETTERS ARE MADE TO ORDER AND ARE NOT RETURNABLE.

Please verify with the factory that the model number you have configured is available and meets your requirements.

Series 46 - "PZ" Style - Right Offset

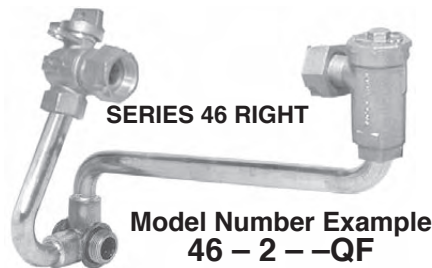
5/8, 5/8 x 3/4, 3/4 or 1 Meter Settings



To order "PZ" Style: Model No. **46-2** above means:

46	-	2
<u>Series</u>	<u>Style</u>	<u>Meter Size</u>
46	- = Standard D = 7/8" tube (Not available for 5/8" meters with flange)	1 = 5/8" 2 = 5/8"x 3/4" 3 = 3/4" 4 = 1"

Meter Settings w/Integral Valves



To order "PZ" Style: Model No. **46-2--QF** above means:

46	-	2	--	QF
<u>Series</u>	<u>Style</u>	<u>Meter Size</u>	<u>Meter Height</u>	<u>Inlet and Outlet Valves</u>
46	- = Standard D = 7/8" tube (Not available for 5/8" meters with flange)	1 = 5/8" 2 = 5/8"x 3/4" 3 = 3/4" 4 = 1"	-- = Standard (Blank) = No Height	-- = Standard - Tubes with meter nuts less saddles, no valves (Blank) = No attached valves A = Single check valve F = Angle Dual Check Valve N = No Valve Q = Lockwing Ball Valve

• Valves and compression assemblies ordered separately. See pages 9 and 11.

• **INLINE DUAL CHECK BACKFLOW VALVES** available for 5/8, 5/8x3/4 and 3/4 "PZ" Style insetters. See page 23.

Assemblies shipped with two meter gaskets.

NOTE: Unless specified all components have meter nuts without saddles.

Not all combinations available, contact factory with your requirements.
MOST METER SETTERS ARE MADE TO ORDER AND ARE NOT RETURNABLE.
 Please verify with the factory that the model number you have configured is available and meets your requirements.

Series 47 - "D" Style

5/8, 5/8 x 3/4, 3/4 or 1" Meter Settings



SERIES 47 MODEL "A"
Model Number Example
47 - 224



SERIES 47 MODEL "A"
Model Number Example
47 - 224QF

To order "D" Style: Model No. **47-224QF** means:

47	-	2	24	INLET OUTLET QF
<u>Series</u> 47	<u>Style</u> - = Standard	<u>Meter Size</u> 1 = 5/8" 2 = 5/8" x 3/4" 3 = 3/4" 4 = 1"	<u>Meter Drop</u> 18 21 24 27 30 33 36	<u>Inlet and Outlet Valves</u> (Blank) = Less valves A = Single check valve F = Angle Dual Check Valve N = No Valve Q = Lockwing Ball Valve NOTE: Unless specified all components have meter nuts without saddles.

Assemblies shipped with two meter gaskets.

- Valves and compression assemblies ordered separately. **See pages 9 and 11.**
- **INLINE DUAL CHECK BACKFLOW VALVES** available for 5/8, 5/8x3/4 and 3/4 "D" Style insetters. **See page 23.**
- For angle ball valves and/or angle dual check valves integral to the insetting, contact factory.

Not all combinations available, contact factory with your requirements.

MOST METER SETTERS ARE MADE TO ORDER AND ARE NOT RETURNABLE.

Please verify with the factory that the model number you have configured is available and meets your requirements.

Series Series 48 - "D" Style

5/8, 5/8 x 3/4, 3/4 or 1" Meter Settings



SERIES 48 MODEL "B"
Model Number Example
48 - 224



SERIES 48 MODEL "B"
Model Number Example
48 - 224QF

To order "D" Style: Model No. **48-224QF** above means:

48	-	2	24	INLET OUTLET QF
<u>Series</u> 48	<u>Style</u> -- = Standard	<u>Meter Size</u> 1 = 5/8" 2 = 5/8" x 3/4" 3 = 3/4" 4 = 1"	<u>Meter Drop</u> 18 21 24 27 30 33 36	<u>Inlet and Outlet Valves</u> (Blank) = Less valves A = Single check valve F = Angle Dual Check Valve N = No Valve Q = Lockwing Ball Valve
				NOTE: Unless specified all components have meter nuts without saddles.

Assemblies shipped with two meter gaskets.

- Valves and compression assemblies ordered separately. **See pages 9 and 11.**
- **INLINE DUAL CHECK BACKFLOW VALVES** available for 5/8, 5/8x3/4 and 3/4 "D" Style insetters. **See page 23.**
- For angle ball valves and/or angle dual check valves integral to the insetting, contact factory.

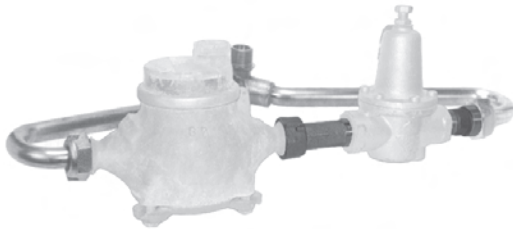
Not all combinations available, contact factory with your requirements.

MOST METER SETTERS ARE MADE TO ORDER AND ARE NOT RETURNABLE.

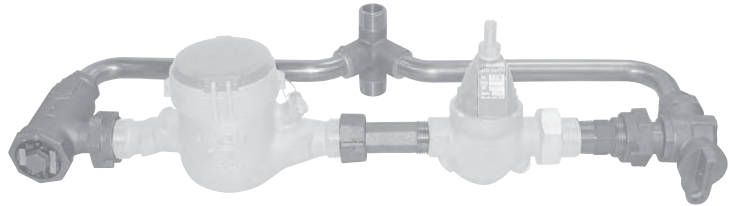
Please verify with the factory that the model number you have configured is available and meets your requirements.

Series 49 - "W" Style

5/8, 5/8 x 3/4 or 3/4 Meter Settings



Model Number Example
49 - 2 17 3/4



Model Number Example
49 - 2 --QF x16.83

To order "W" Style: Model No. **49-2 17 3/4** means:

49

Series

49

-

Style

- = Standard

2

Meter Size

1 = 5/8"
2 = 5/8" x 3/4"
3 = 3/4"

Blank

Space

Blank = Standard
-- = w/Integral Valves

INLET OUTLET

--

Inlet and Outlet Valves

-- = Standard - Tubes with meter nuts less saddles, no valves

A = Single check valve
F = Angle Dual Check Valve
N = No Valve
Q = Lockwing Ball Valve

Blank

Space

17 3/4

Spread Between Flanges

NOTE: Unless specified all components have meter nuts without saddles.

MODEL	METER SIZE	SPREAD	DEVICE LENGTH
49-1	5/8	17 3/4"	6 1/4"
49-2	5/8 x 3/4	17 3/4"	6 1/4"
49-3	3/4	19 1/4"	6 1/4"

Assemblies shipped with two meter gaskets.

- For setting meter and FIP x FIP device.
- Includes 4619 and 4620 adapters.
- Other spreads available. Contact factory.

Not all combinations available, contact factory with your requirements.

MOST METER SETTERS ARE MADE TO ORDER AND ARE NOT RETURNABLE.

Please verify with the factory that the model number you have configured is available and meets your requirements.

■ Series 11 • Inline Dual Check Backflow Preventers • “K” Thread



MODEL NO.	INLET	OUTLET	SIZE
11-3KL 33	Male “K” integral	Female “K” union	3/4" x 3/4"
11-3LK 33	Female “K” union	Male “K” integral	3/4" x 3/4"
11-3LT 33	Female “K” union	“T” compression integral*	3/4" x 3/4"
11-3L2 33	Female “K” union	“22” compression integral*	3/4" x 3/4"
11-3LE 33	Female “K” union	FIP integral	3/4" x 3/4"

- For dual check with 1/8" FIP opening on side for test valve, put “V” in place of dash in model number.
- For more information on our full line of backflow preventers, refer to catalog section 9.
- Dual check will also screw directly to our Series 41, 45, 46, 47, 48 “PZ” and “D” Insetters.

■ NOTES: