



PIT SETTERS

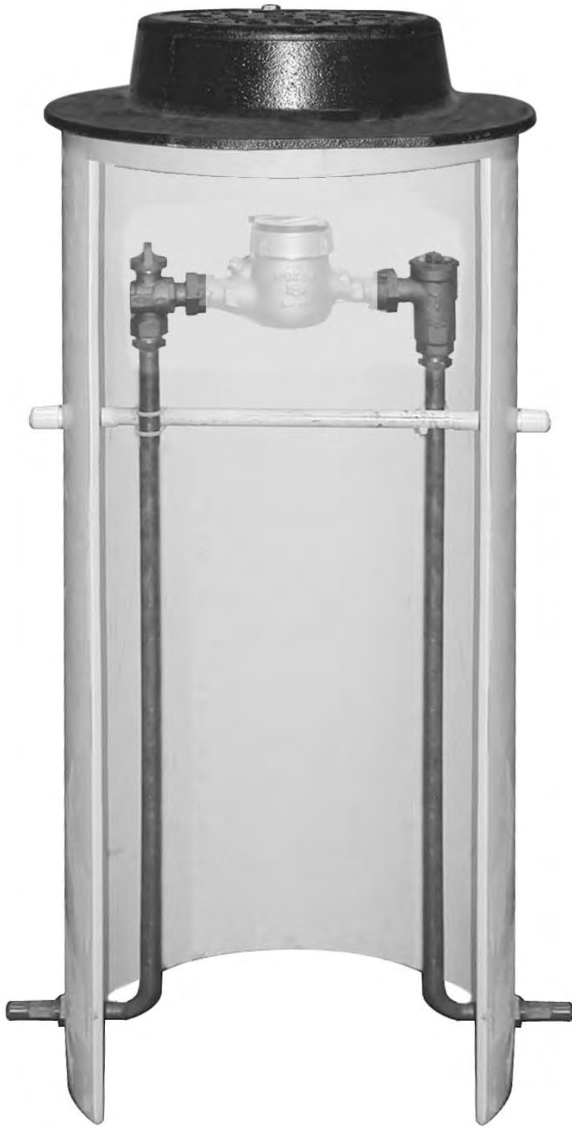


Pollardwater.com
THE PROFESSIONAL'S CHOICE
www.pollardwater.com
TOLL FREE 800-437-1146

A.Y. McDONALD MFG. CO.
WATER SERVICE PRODUCTS

■ Pit Setters General Information

A.Y. McDonald Mfg. Co. Pit Setters help prevent meter and service line freeze-ups in northern climates during the winter months. Air temperature, snow cover, type of soil, temperature of service water, and frequency of water usage affect freezing in meter pits. Pits should be positioned so the depth of the service line is well below the lowest frost line. The heat from the base of the meter pit circulates and keeps the meter setting above it from freezing.

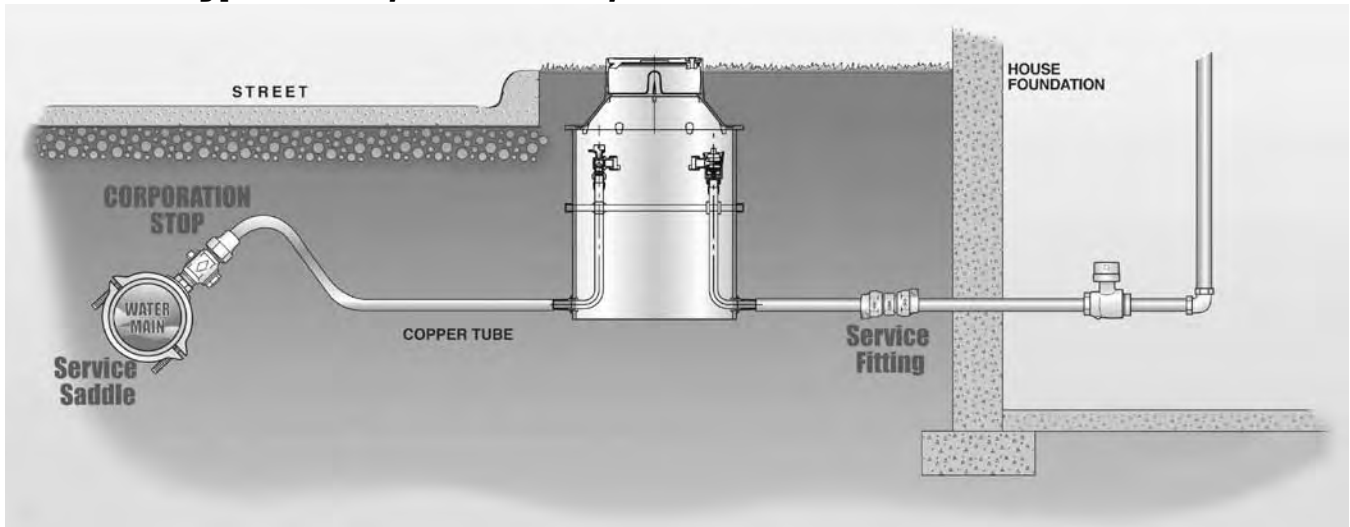


The meter pit diameter is recommended to provide 2" of clearance between any part of the setting and the pit wall to prevent "frost jump" from the pit walls and also the necessary amount of air movement to keep everything from freezing.

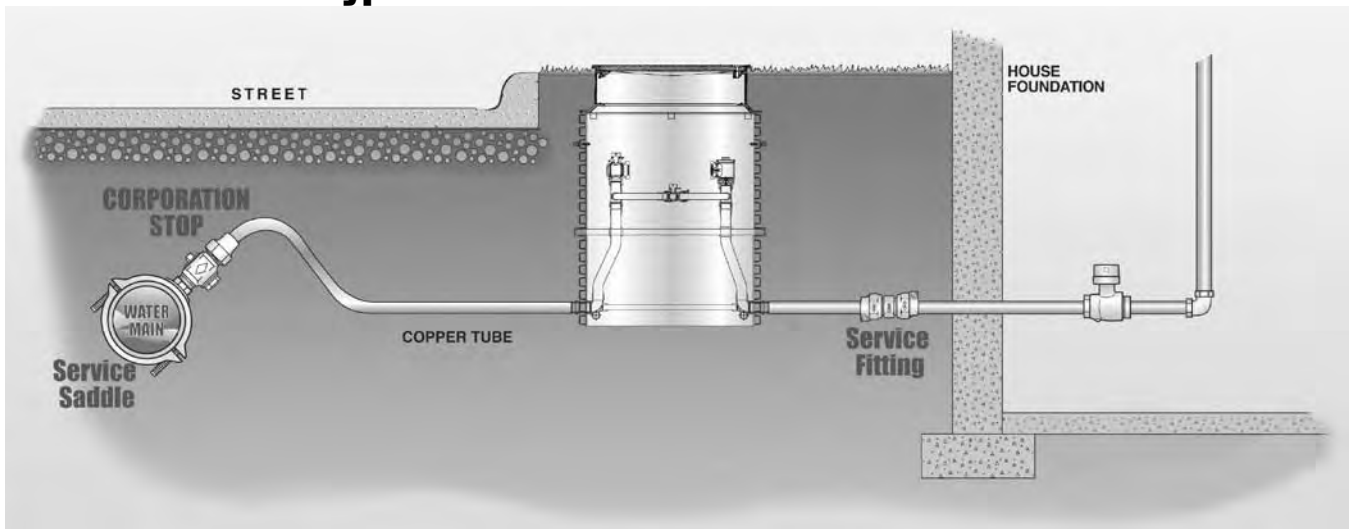
A frame and cover completes the installation. A.Y. McDonald's W Style frame and cover is recommended in cold climates, because it provides a dead air space between the top cover and the inside of the pit, acting as an insulator. The W Style frame and cover also features a plastic inner lid for further protection. A two piece 2" thick insulating cushion is available when extreme climates warrant. The center of this cushion is removable for easy access to the meter. A variety of other frames and covers are available and can be ordered separately. Please see the A.Y. McDonald Mfg. Co. Meter Frames and Covers brochure.

■ Pit Setters General Information

Typical 5/8", 5/8" x 3/4", 3/4" and 1" Meter Installations



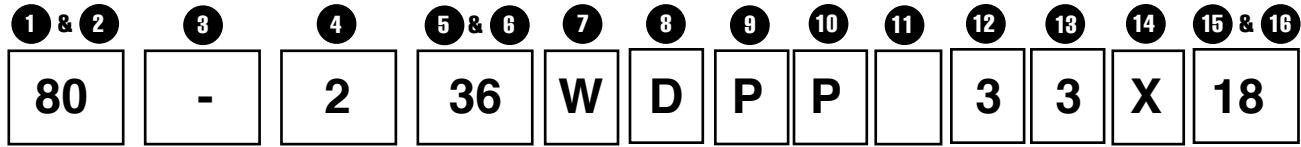
Typical 1 1/2" and 2" Meter Installations



Pit Setters Model Number Information

Following is a general guide to the A.Y. McDonald Mfg. Co. Pit Setter model numbering system.

Model 80-236WDPP 33X18



Series Number

Dash Standard
(single lid)
4" Deep

W = Double Lid
9 1/2" Deep or
special options
other than lid

Meter Size

Pit Height

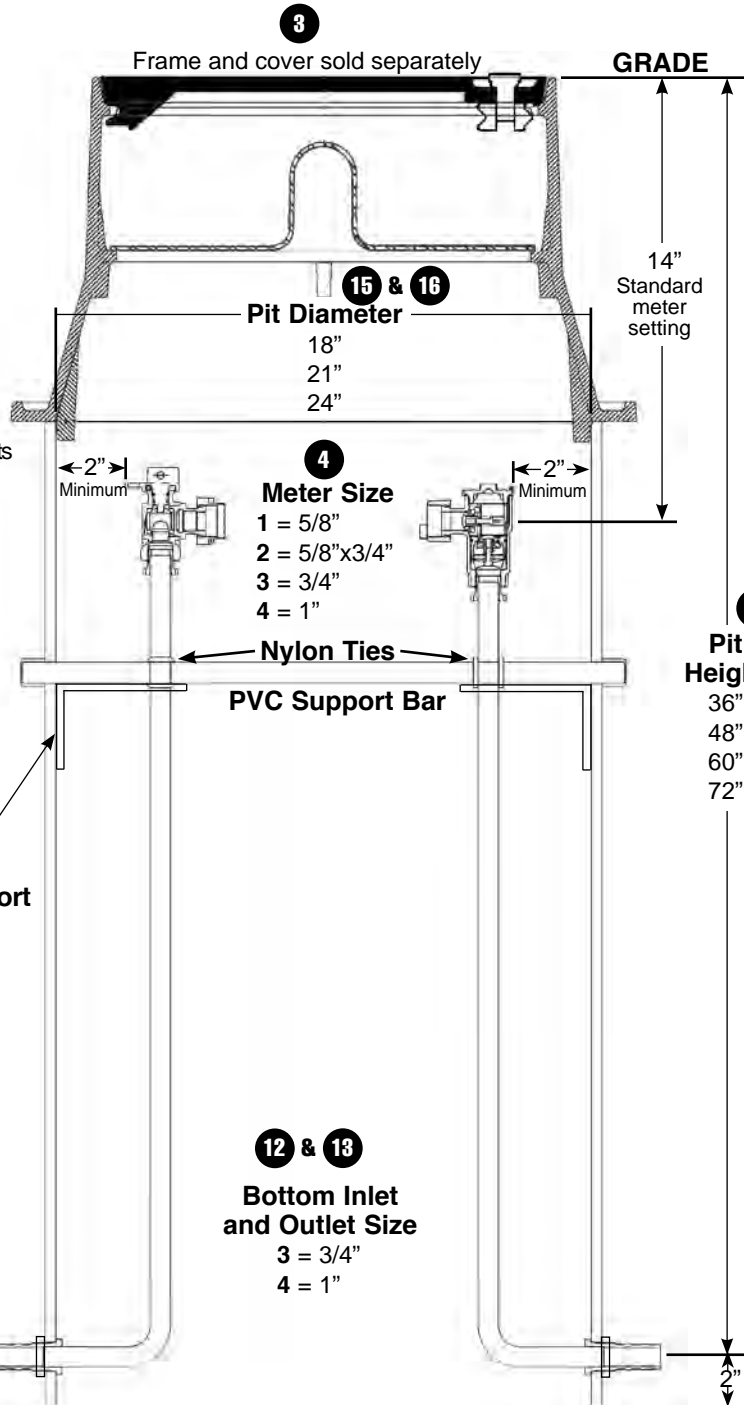
Top Inlet and Outlet

Bottom Inlet and Outlet

Bottom Inlet and Outlet Size

Pit Diameter

Minimum
18" for 5/8 & 5/8x3/4
meter standard pits
21" 3/4 meters standard pit
24" 1" meters standard pit or
5/8, 5/8x3/4, 3/4 dual
5/8 & 5/8x3/4 tandem



1 & 2 Series Number

- 80 = Single Meter Pit (standard)
- 81 = Dual Meter Pit
- 82 = Tandem Meter Pit
- 83 = Single Yoke Pit
- 84 = Dual Yoke Pit
- 85 = Tandem Yoke Pit
- 86 = Single Meter Pit w/ Angle PVC Support Brackets
- 87 = Dual Meter Pit w/ Angle PVC Support Brackets
- 88 = Tandem Meter Pit w/ Angle PVC Support Brackets

7 & 8 Top Inlet and Outlet

- C** = Single check valve
- D** = Angle dual check valve
- W** = Lockwing ball valve (standard on inlet)
- X** = No valve-meter nut (standard on outlet)
- Other options available, contact factory.

Angle PVC Support Bracket Option
Optional Support Series II, 86, 87 or 88

9 & 10 Bottom Inlet and Outlet

- P** = Male iron pipe (integral) Standard
- 2** = CTS 22 Comp
- Q** = CTS Q Comp (Assembly)
- T** = CTS T Comp
- Other options available, contact factory.

12 & 13 Bottom Inlet and Outlet Size
3 = 3/4"
4 = 1"

Add 2" insulating cushion sold separately (See page 5)

5 & 6 Pit Height
36"
48" Available in 3" increments
60"
72"

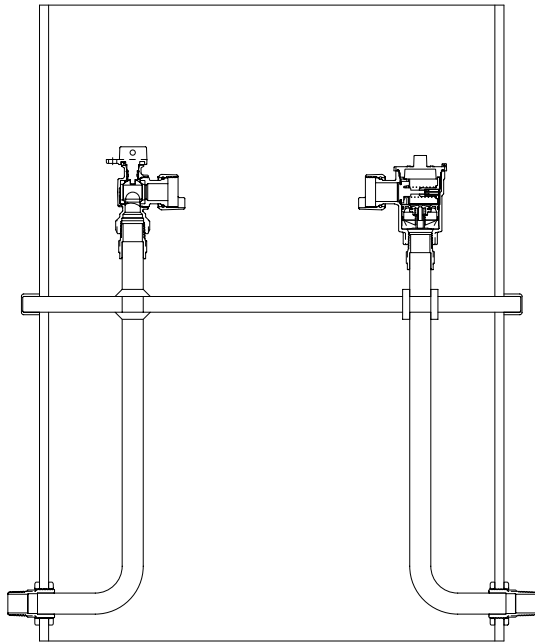
Pit height is measured from top of frame & cover (Grade) to center of service line.

See Frame & Cover Brochure for optional frames and covers sold separately.

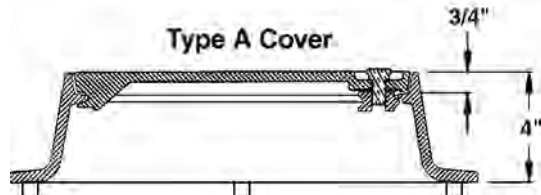
Center of service line

Pit Setters Models

Single Meter Pit - 80 Series

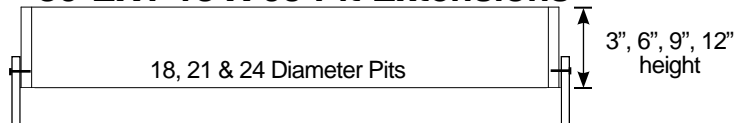


74M32A Frame & Cover



See Frame & Cover Brochure for optional frames and covers sold separately.

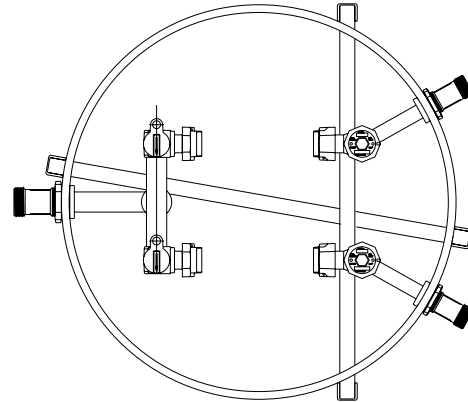
80-EXT 18 X 03 Pit Extensions



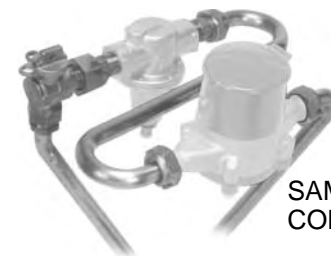
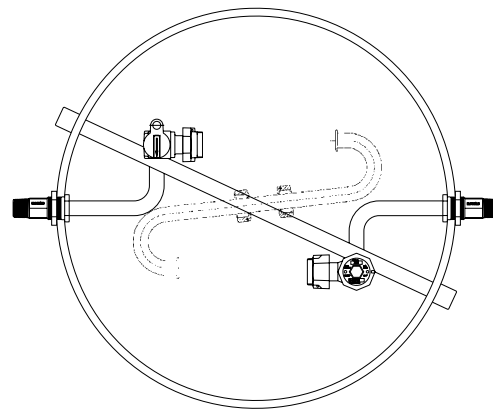
80-C2 Insulation Cushion

- 80-C2 18 x 2.00
- 80-C2 20 x 2.00
- 80-C2 21 x 2.00
- 80-C2 24 x 2.00

Dual Meter Pit - 81 Series



Tandem Meter Pit - 82 Series



SAMPLE TANDEM CONFIGURATION



80-BLK

48" x 48"
Insulating Blanket

- The centerline of the inlet and outlet are positioned 2" above the bottom of the pit.
- The centerline of the meter will be 14" below grade level.
- Type K copper tube risers connect the exterior inlet and outlet to the interior valves.
- A PVC support cross tube is tied to the copper tube risers and permanently attached to the pit walls.
- Cast brass jam nut installed to secure inlet/outlet tubing on exterior of the PVC frame.

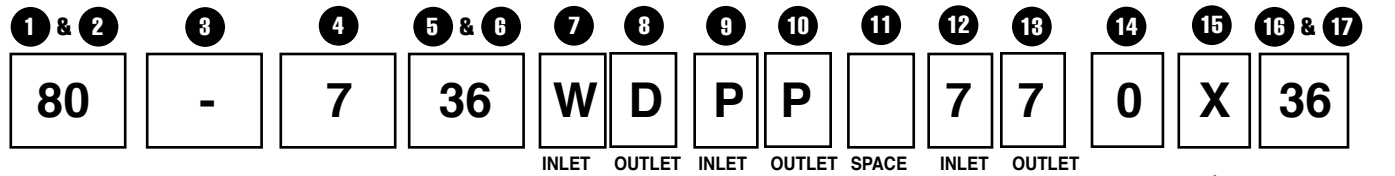
- Recommend minimum 2" clearance between the pit wall and any part of the setting to prevent frost jump.
- Expansion tank provided independently of pit setter.
- Cast iron frame, cover, and inner lid provided independently of pit setter.
- All interior cast brass and component parts to be 85-5-5-5.
- All pipe, valves, and fittings associated with the PVC pit setter shall be constructed at factory and shipped to the site pre-assembled.
- Materials meet or exceed A.W.W.A standard C-800-01.

Pit Setters

■ Pit Setters Model Number Information - 1 1/2" and 2"

Following is a general guide to the A.Y. McDonald Mfg. Co. Pit Setter model numbering system.

Model 80-736WDPP 770X36



Series Number
80 Series

Dash
|
No Bypass
B = Low Inline bypass
R = High offset bypass (right side of setter)

Meter Size
6" increments
6 = 1 1/2
7 = 2

Pit Height
6" increments

Top Inlet and Outlet
Angle Ball Valve
Angle Dual Check

Bottom Inlet and Outlet
MNPT MNPT

Bottom Inlet and Outlet Size
6 = 1 1/2
7 = 2

Sizes of Bypass
0 = No Bypass
4 = 1
5 = 1 1/4
6 = 1 1/2
7 = 2

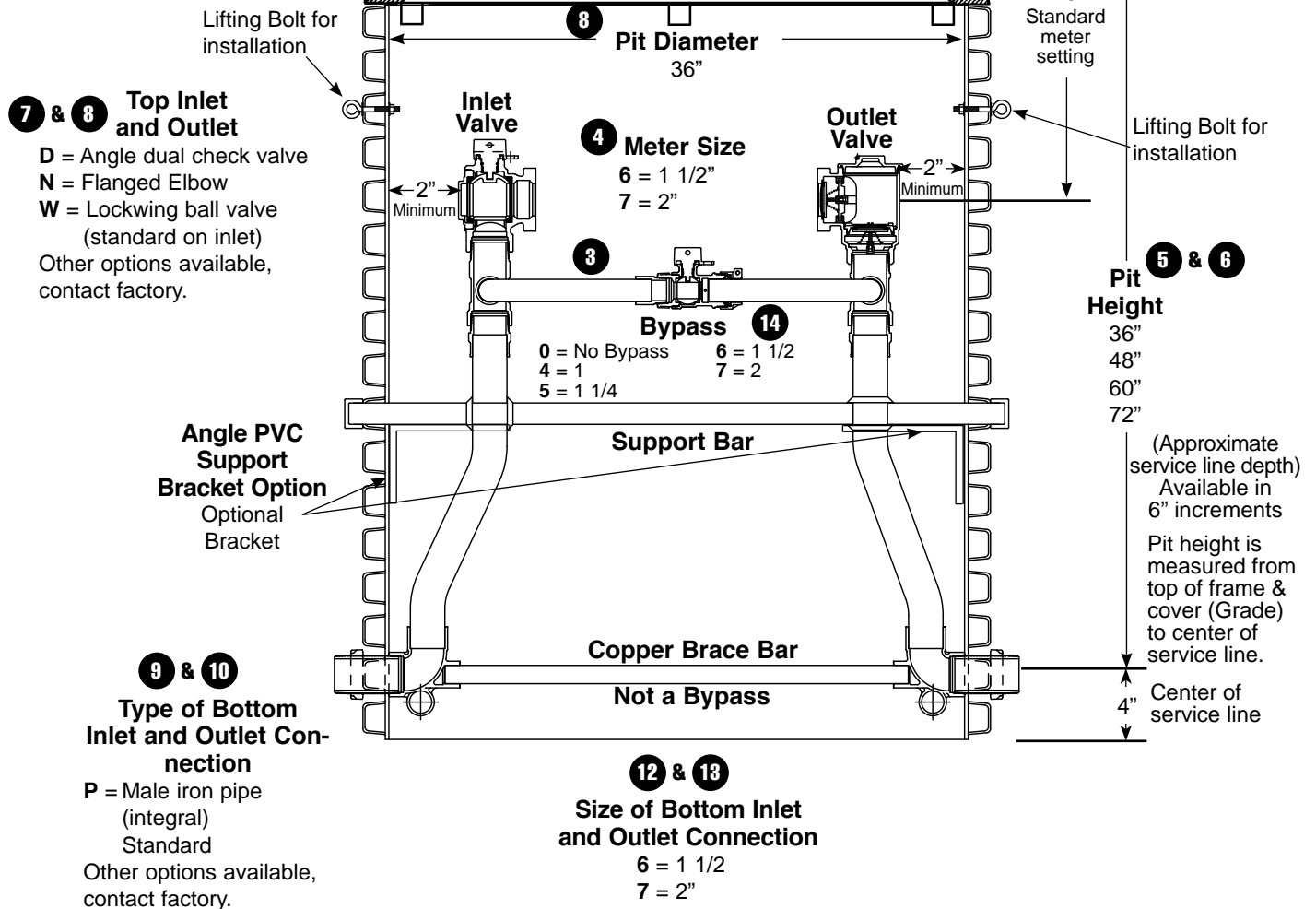
Corrugated Pit Diameter
30" or 36"

Special Bypass Conditions
Contact Factory

See Frame & Cover Brochure for optional frames and covers sold separately.

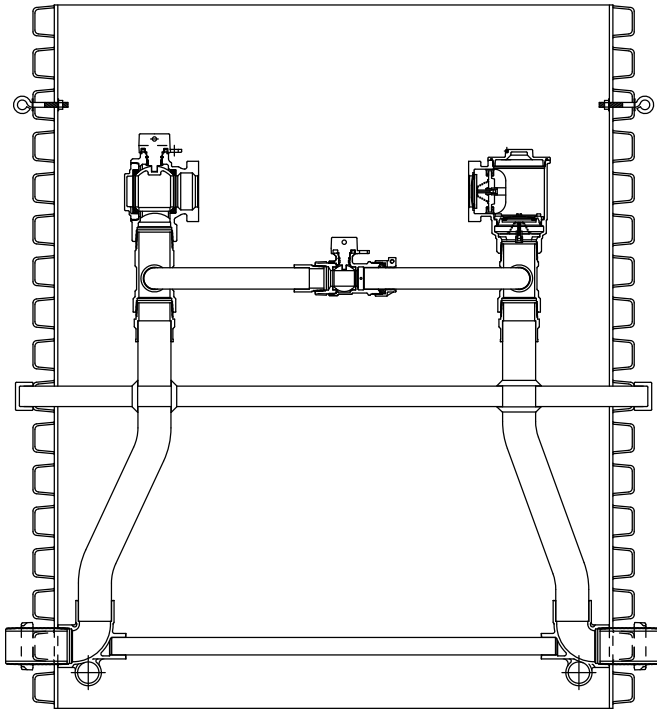
- 1 & 2 Series Number**
- 80 = Single Meter Pit (standard)
 - 81 = Dual Meter Pit
 - 82 = Tandem Meter Pit
 - 86 = Single Meter Pit w/Angle PVC Support Brackets
 - 87 = Dual Meter Pit w/Angle PVC Support Brackets
 - 88 = Tandem Meter Pit w/ Angle PVC Support Brackets

Note: Frame and cover sold separately

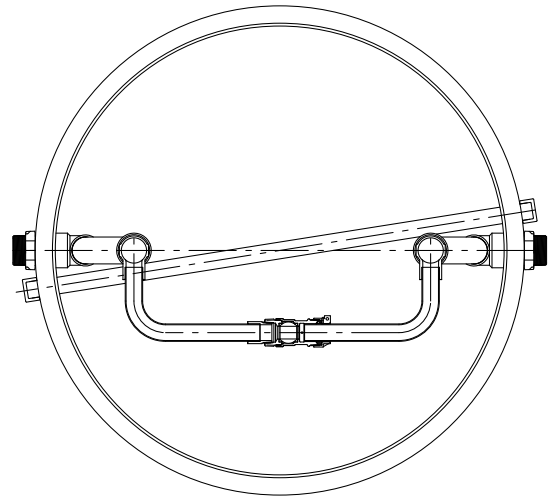


■ Pit Setters Models

**Single Meter Pit - 80 Series
with High Bypass**



Top View of High Bypass



80-BLK
48" x 48"
Insulating Blanket

82 Series



SAMPLE TANDEM
CONFIGURATION

- The centerline of the inlet and outlet are positioned 4" above the bottom of the pit.
- The centerline of the meter will be 20" below grade level.
- Type K copper tube risers connect the exterior inlet and outlet to the interior valves.
- A PVC support cross tube is tied to the copper tube risers and permanently attached to the pit walls.
- Cast brass jam nut installed to secure inlet/outlet tubing on exterior of the PVC frame.
- Corrugated PVC provided on 1 1/2" and 2" meter settings.
- Recommend minimum 2" clearance between the pit wall and any part of the setting to prevent frost jump.
- Cast iron frame, cover, and inner lid provided independently of pit setter.
- All interior cast brass and component parts to be 85-5-5-5.
- All pipe, valves, and fittings associated with the PVC pit setter shall be constructed at factory and shipped to the site pre-assembled.
- Materials meet or exceed A.W.W.A standard C-800-01.