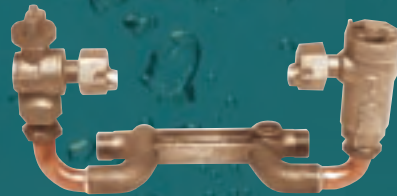
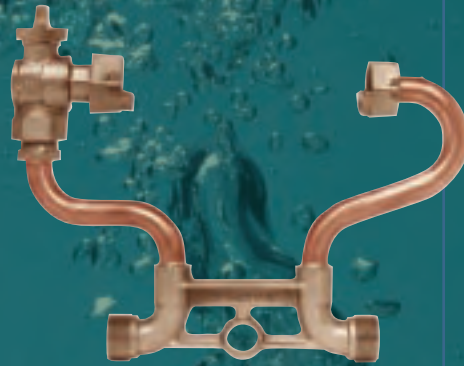
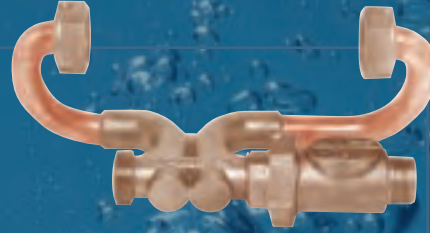




RESETTERS

Pollardwater.com
THE PROFESSIONAL'S CHOICE
www.pollardwater.com
TOLL FREE 800-437-1146



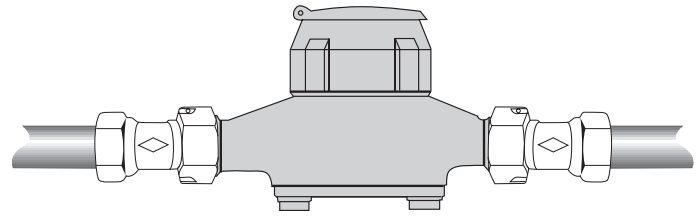
A.Y. McDONALD MFG. CO.
WATER SERVICE PRODUCTS

A.Y. McDONALD MFG. CO.
Copper Meter Reseters

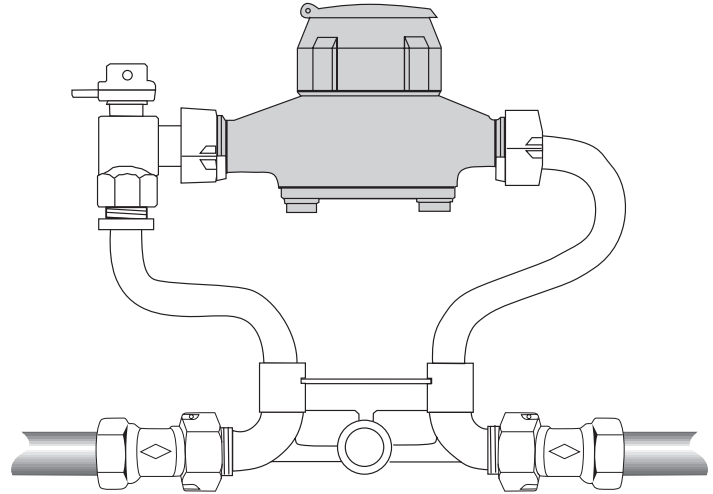
A.Y. McDonald Mfg. Co. Reseters offer a wide variety of options for resetting your current water meter to various heights and locations.

Reseters are used where the meter is already installed and the service lines are in place, but the meter needs to be relocated above or next to the current line. A.Y. McDonald Mfg. Co. reseters provide you with an array of variations that will see you through any relocation project.

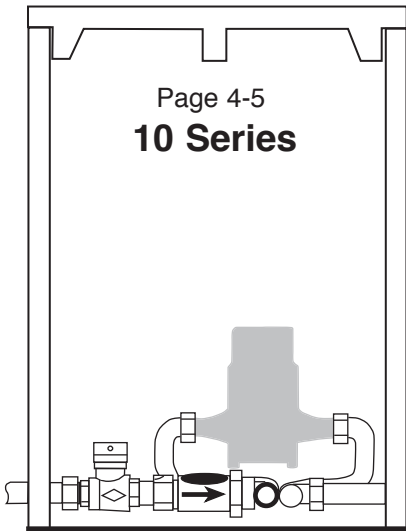
Common reseter installations are shown below. You can customize your reseter solution on the pages within, or contact our factory professionals to help you through.



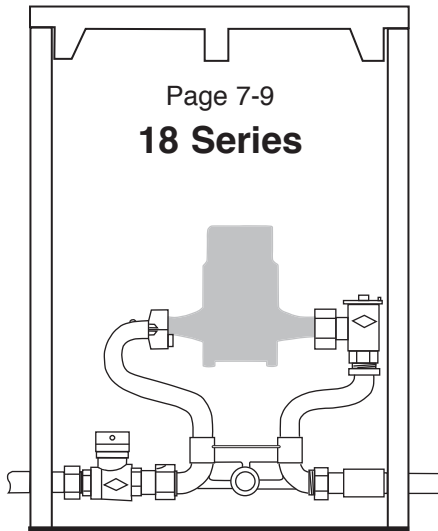
BEFORE



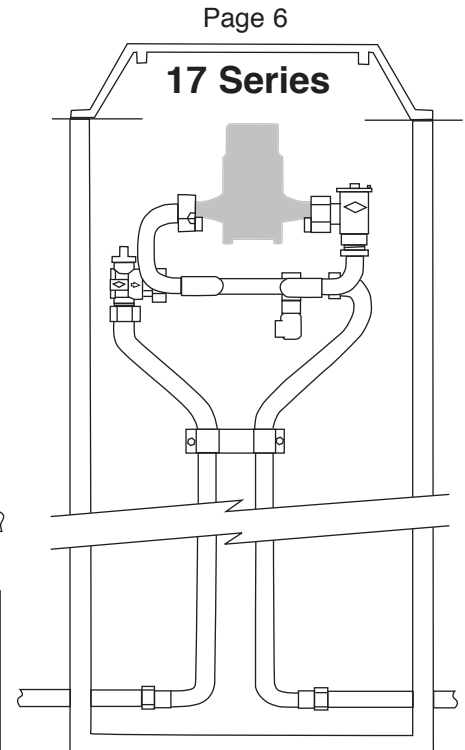
AFTER



Page 4-5
10 Series

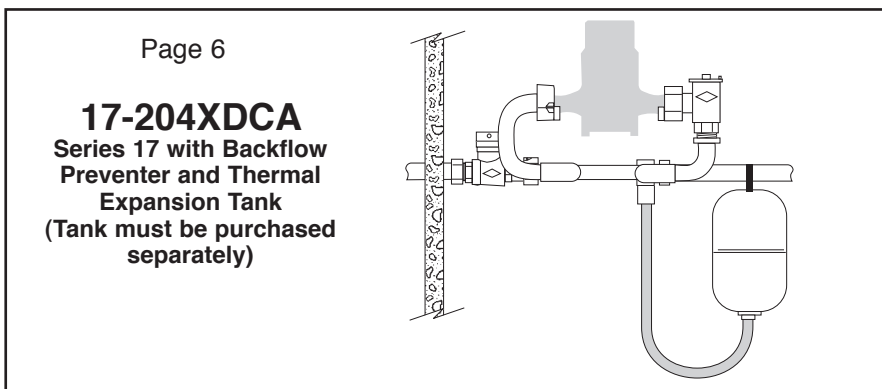


Page 7-9
18 Series



Page 6

17 Series



Page 6

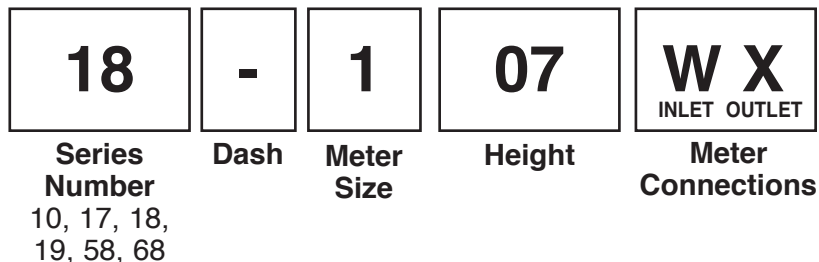
17-204XDCA
 Series 17 with Backflow Preventer and Thermal Expansion Tank
 (Tank must be purchased separately)

17-204XDCC
 Series 17 used to retrofit existing high rise meter pit and standard meter setter with backflow preventer and pressure relief valve.

Understanding the Resetter Model Number System

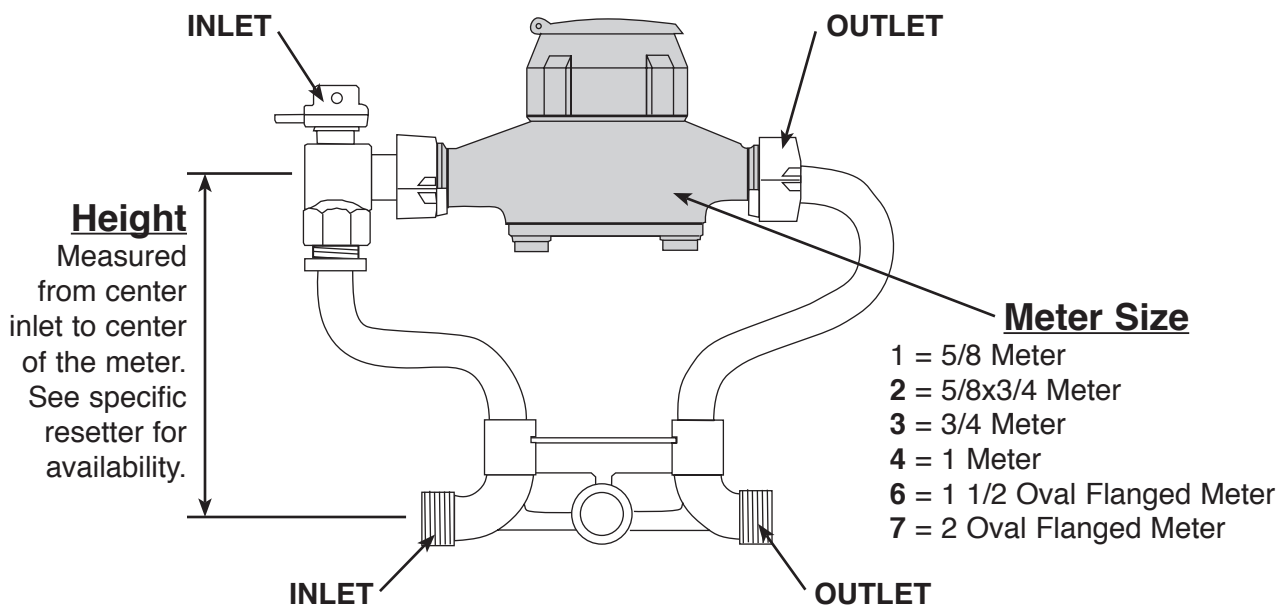
Following is a general guide to the A.Y. McDonald Mfg. Co. Resetter model numbering system. Please refer to a specific series page for more detailed information.

Example: Model number 18-107WX



Meter Connections - Inlet and Outlet

Inlet and outlet connections to the meter will vary depending on meter size and available connections. Refer to the series selection for available options.



Bottom Bar Options - Inlet and Outlet

On reseters, meter threads or meter flanges are standard. See individual reseters for availability of bottom bar options, or contact factory.

See individual reseters on the following pages for availability of all options, or contact factory.

Reseters

Series 10 General Information

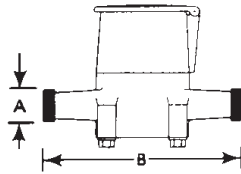
The A.Y. McDonald Meter Setter/Resetter is a unique and patented product designed to easily retrofit existing meter installations to include a dual check backflow preventer, or pressure relief valve. This is accomplished without the high risk of cutting

into old service lines, or the expensive process of digging up and replacing existing meter boxes or pits. This retrofitting can be easily performed in even the most confined meter boxes.



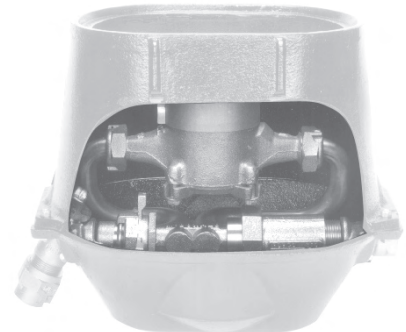
Before

NOTE: Meter box sold separately



Meter Dimensions

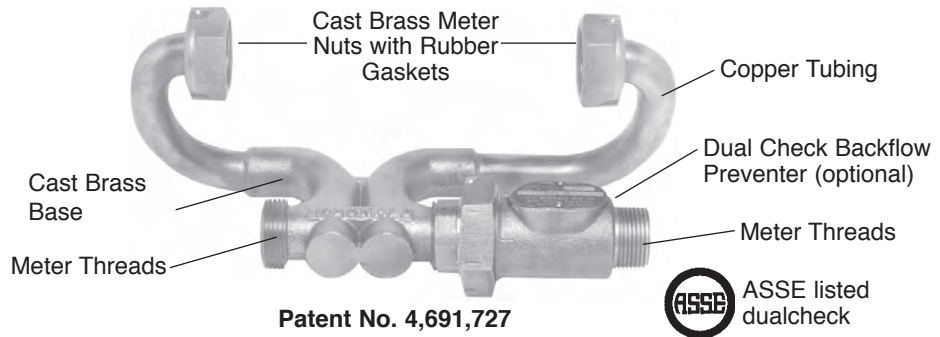
METER SIZE	5/8	5/8x3/4	3/4
A-Meter Threads	3/4"	1"	1"
B-Laying Length	7 1/2"	7 1/2"	9"
A.Y. McDonald Spacing*	7 13/16"	7 13/16"	9 5/16"



After

NOTE: Meter box sold separately

Available for 5/8, 5/8x3/4, or 3/4 meters

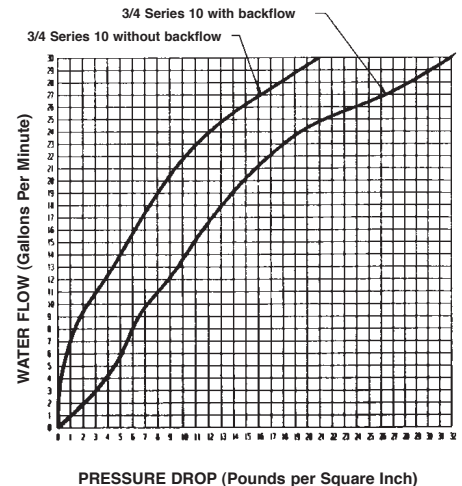
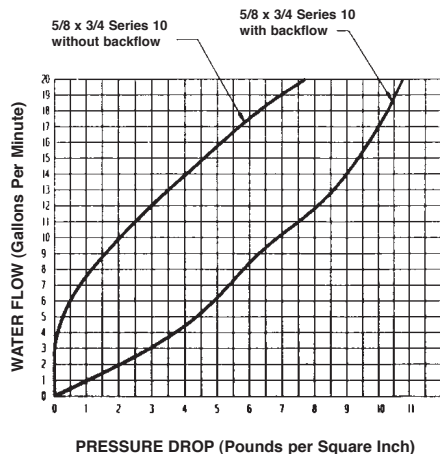
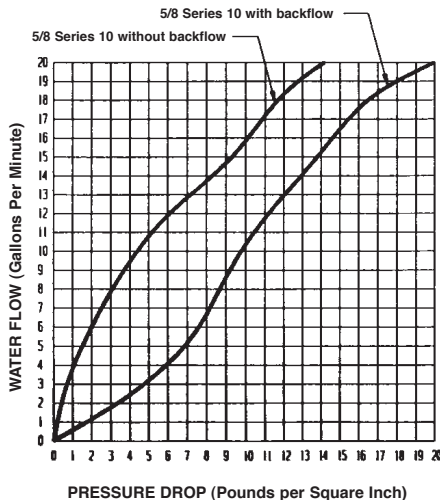


Patent No. 4,691,727

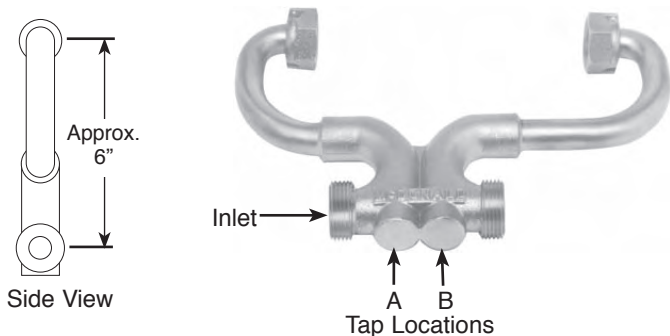


- THERMAL EXPANSION WARNING** - Creating a "closed" condition in a hot water system with the installation of a non-return barrier (such as a Check Valve or Backflow Preventer between the system piping and the public supply) can result in extreme pressure rises caused by thermal expansion and/or water hammer. This thermal expansion can damage piping, valves, and other components in the system. The installation of a pressure relief device or thermal expansion tank can avoid possible damages. A.Y. McDonald Mfg. Co. offers optional pressure relief devices (Page 5) for its Meter Resetter in order to avoid these possible damages.

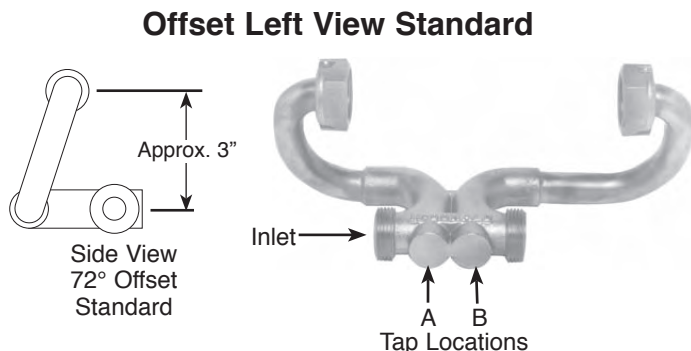
Pressure Loss Data - 10 Series Resetter



Series 10



Model 10-106NN - -



Model 10-103NN - - X72

10	-	1	06	N	N	-	-		X72
Horizontal Resetter Series 10	Dash = Standard For crossed sized meter sets A = 5/8 B = 5/8x3/4 C = 3/4	Meter Size 1 = 5/8 2 = 5/8x3/4 3 = 3/4	Height 3" or 6"	Meter Connections N = No valve (meter nut only without saddle) * Q = Lockwing ball valve (without saddle)		Bottom Bar Options	1/2" FNPT Bottom Bar Tap	Space	Tube Offset See above side view
						- = No option C = Dual check on inlet H = Dual check on outlet J = Adapter idler (sized to fit meter)	- = No tap A = Tap inlet, no plug B = Tap outlet, no plug D = Tap outlet, 125# PRV E = Tap inlet, 175# PRV F = Tap outlet, 175# PRV G = Tap inlet, with plug H = Tap outlet, with plug L = Tap inlet, 125# PRV (Inlet is city side, outlet is house side)		

* For angle ball valves integral to resetter, contact factory.

• Reseters with cross-over meter sizes are available. Contact factory.

Not all combinations available, contact factory with your requirements.
MOST METER SETTERS ARE MADE TO ORDER AND ARE NOT RETURNABLE.
 Please verify with the factory that the model number you have configured is available and meets your requirements.

Ordering Options Separately



Dual Check Backflow Preventer (Inlet side)

11-3AN 34 For 5/8 meter

11-3AN 44 For 5/8x3/4 and 3/4 meter

Inlet: Male meter thread
 Outlet: Female meter thread (union)



Dual Check Backflow Preventer (Outlet side)

11-3NA 43 For 5/8 meter

11-3NA 44 For 5/8x3/4 and 3/4 meter

Inlet: Female meter thread (union)
 Outlet: Male meter thread



Pressure Relief Valve

10P125 125 lb. rated

10P175 175 lb. rated

1/2" MIP thread



Plug

3208 1/2"



10J11 Meter Adapter Idler (New Style)

3 3/4" long with gasket, adapts basic 10 Series unit (less backflow preventer) to 7 1/2" laying length 5/8 meter



10J22 Meter Adapter Idler

3 3/4" long with gasket, adapts basic 10 Series unit (less backflow preventer) to 7" laying length 3/4 meter

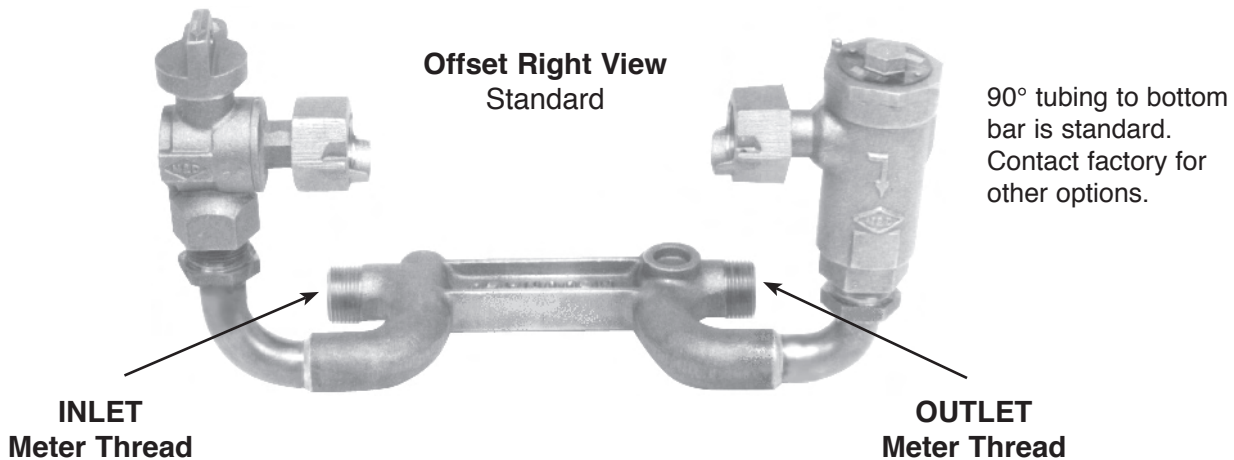


10J23 Meter Adapter Idler

1 1/2" long with gasket. Use with 10 Series unit and backflow preventer to increase laying length 3/4 meter

Both Required for 10-3

Series 17 • Low Rise Style Resetter

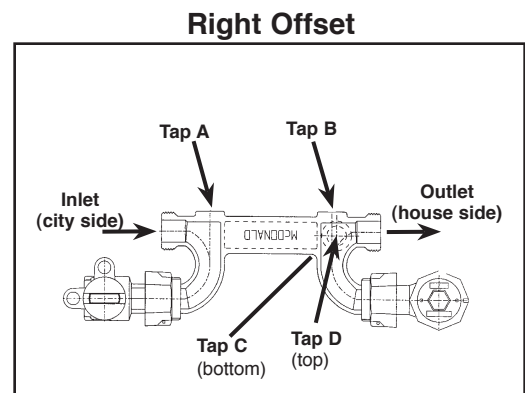
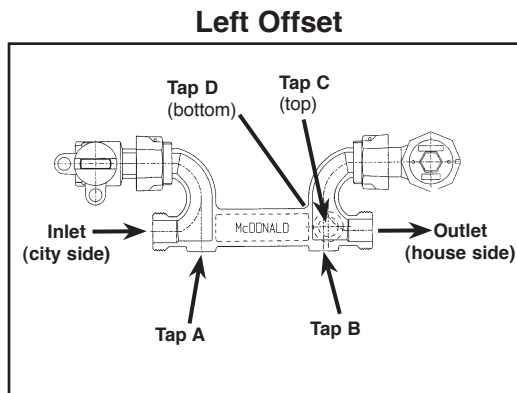


Model 17-204WD - -

17	-	2	04	W	D	-	-
Horizontal Resetter Series 17	Dash = Standard For crossed sized meter sets A = 5/8 B = 5/8x3/4 C = 3/4 Offset Left : U = 5/8 V = 5/8x3/4 W = 3/4 X = Offset Left	Meter Size 1 = 5/8 2 = 5/8x3/4 3 = 3/4 4 = 1	Height 4" 6" -for 1" meter only. For special heights, contact factory.	Meter Connections		Bottom Bar Tap Location	FNPT Bottom Bar Tap
				<ul style="list-style-type: none"> - = No Tap A = Inlet Left B = Outlet Left C = Outlet Top D = Outlet Bottom 		<ul style="list-style-type: none"> - = No Tap A = 1/2" FNPT - no plug B = 1/2" FNPT - with Brass Square Head Plug C = 1/2" FNPT - with 125# Pressure Relief Valve D = 3/4" FNPT - No Plug (Only 1" Reseters) E = 3/4" FNPT - with Brass Square Head Plug (Only 1" Reseters) F = 1/4" FNPT - No Plug G = 1/2" FNPT x 3/4" NPSM Adaptor - No Plug 	
<ul style="list-style-type: none"> C = Angle single check valve on outlet D = Angle dual check valve on outlet (ASSE 1024) W = Angle lockwing ball valve X = No valve; meter nut only For other special meter connections, contact factory.							

•Series 17 is typically viewed from the inlet side, and is fabricated as a "right offset" (see photo above and at right). This is critical when considering tap locations.

Left offset is available upon special request - contact factory.



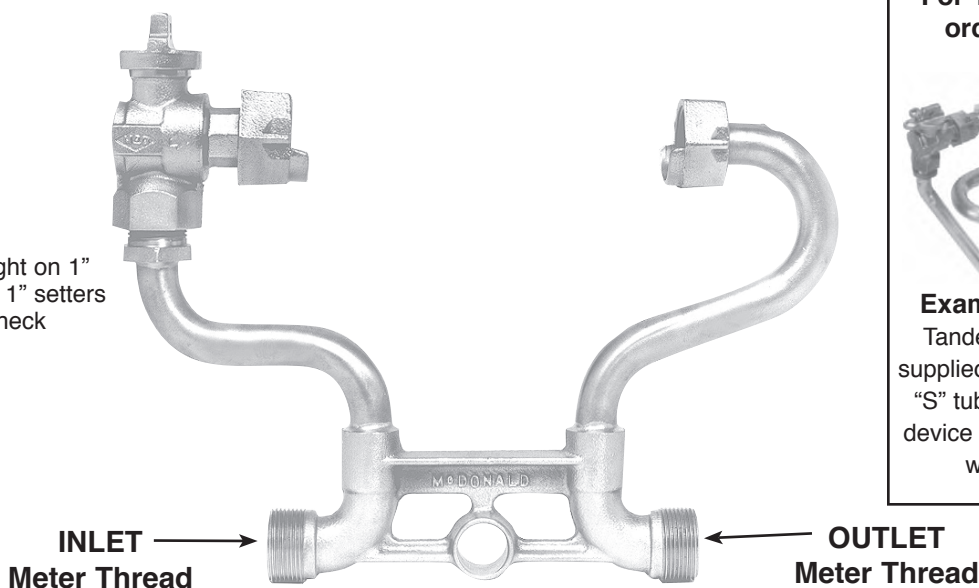
Not all combinations available, contact factory with your requirements.

MOST METER SETTERS ARE MADE TO ORDER AND ARE NOT RETURNABLE.

Please verify with the factory that the model number you have configured is available and meets your requirements.

Series 18 • Horizontal Style Resetter

• Minimum 10" height on 1" setters, or 12" on 1" setters with angle dual check



For Tandem Setter, order Series 58



Example 58-207WX

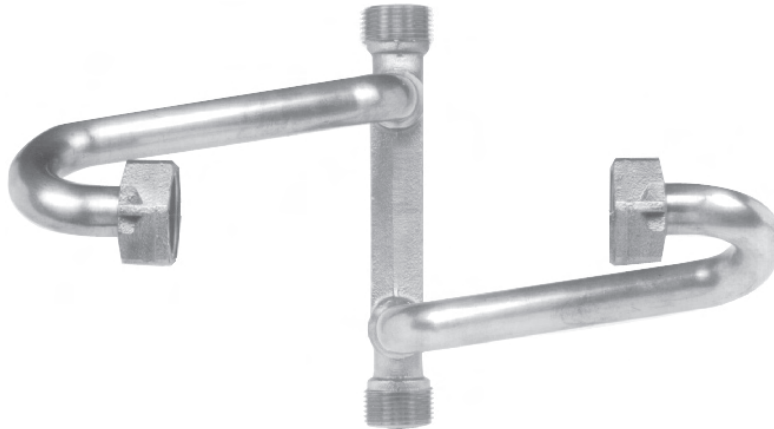
Tandem Reseters are supplied with adapters and "S" tube. Please specify device length and threads when ordering

Model 18-207WX

18	-	2	07	W	X	-	-
Horizontal Resetter Series 18	Dash = Standard	Meter Size	Height	Inlet Meter Connections	Outlet Meter Connections	Bottom Bar Tap Location	FNPT Bottom Bar Tap
Series 58	For crossed sized meter sets	1 = 5/8 2 = 5/8x3/4 3 = 3/4 4 = 1	07" 09" 10" 12" 15" 18" 21" 24" For special heights, contact factory.				
Horizontal Tandem Resetter	A = 5/8 B = 5/8x3/4 C = 3/4				Blank = No Tap A = 1/2" FNPT Inlet B = 1/2" FNPT Outlet		Blank = No Tap A = 1/2" FNPT - no plug B = 1/2" FNPT - with Brass Square Head Plug C = 1/2" FNPT - with 125# Pressure Relief Valve
				C = Angle single check valve on outlet D = Angle dual check valve on outlet (ASSE 1024) W = Angle lockwing ball valve X = No valve; meter nut only For other special meter connections, contact factory.			

Not all combinations available, contact factory with your requirements.
MOST METER SETTERS ARE MADE TO ORDER AND ARE NOT RETURNABLE.
 Please verify with the factory that the model number you have configured is available and meets your requirements.

Series 19 • Vertical Style Reseter • Meter Thread x Meter Thread



Model 19-2

19	-	1	- -	W	X
Series 19	Dash = Standard	Meter Size 1 = 5/8 2 = 5/8x3/4 3 = 3/4 4 = 1	Height No Option	Inlet Meter Connections	Outlet Connections

C = Angle single check valve on outlet
D = Angle dual check valve on outlet (ASSE 1024)
W = Angle lockwing ball valve
X = No valve; meter nut only
 For other special meter connections, contact factory.

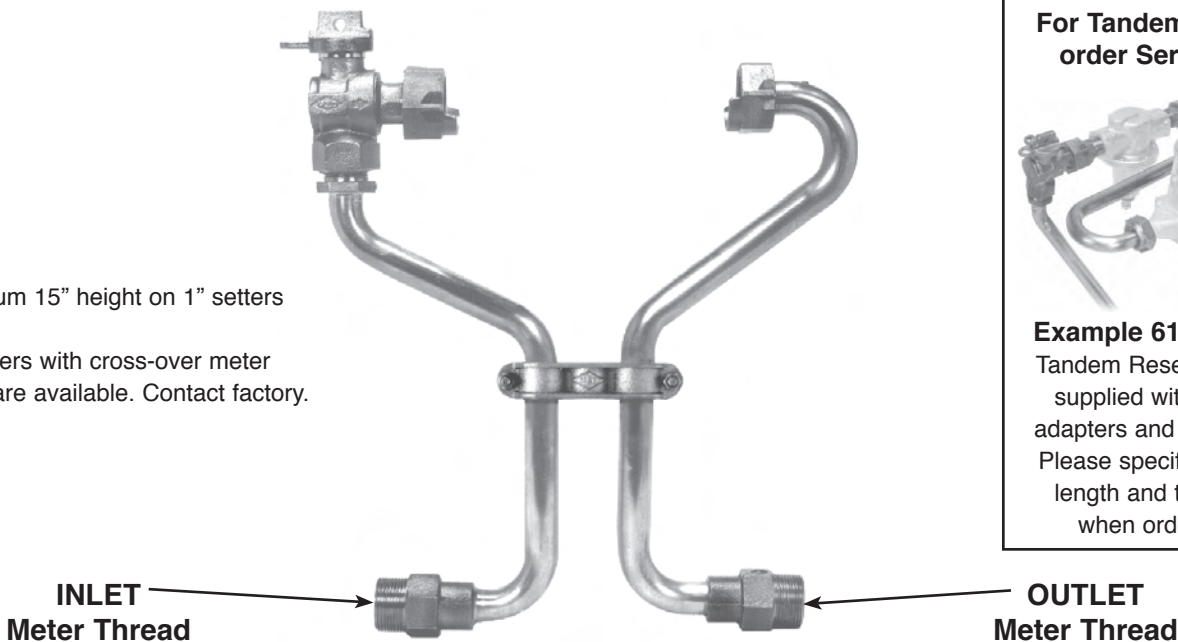
Not all combinations available, contact factory with your requirements.

MOST METER SETTERS ARE MADE TO ORDER AND ARE NOT RETURNABLE.

Please verify with the factory that the model number you have configured is available and meets your requirements.

Series 68 • Horizontal F Style Flexible Resetter

- Minimum 15" height on 1" setters
- Resetters with cross-over meter sizes are available. Contact factory.



Model 68-112WX

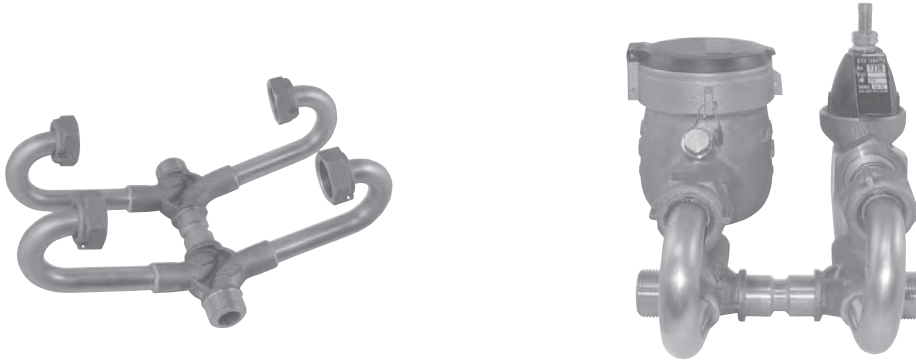
68	-	1	12	W	X
Horizontal Resetter Series 68 Series 61 Horizontal Tandem Resetter	Dash = Standard For crossed sized meter sets A = 5/8 B = 5/8x3/4 C = 3/4	Meter Size 1 = 5/8 2 = 5/8x3/4 3 = 3/4 4 = 1	Height 12" 15" 18" 24" For other heights, contact factory.	Inlet Meter Connections	Outlet Meter Connections

C = Angle single check valve on outlet (Not available on 1")
 D = Angle dual check valve on outlet (ASSE 1024)
 W = Angle lockwing ball valve
 X = No valve; meter nut only
 For other special meter connections, contact factory.

Not all combinations available, contact factory with your requirements.
MOST METER SETTERS ARE MADE TO ORDER AND ARE NOT RETURNABLE.
 Please verify with the factory that the model number you have configured is available and meets your requirements.

Reseters

Series 58 - Crab Style Tandem Resetter



Model 58-2--NN X419

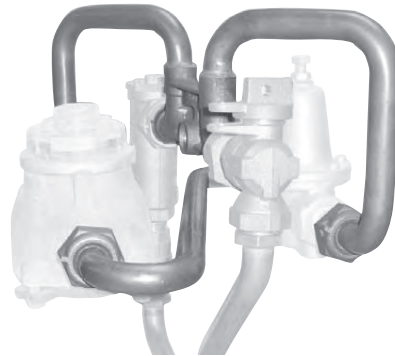
58	-	2	--	N	N		X419
Horizontal Tandem Resetter Series 58	Dash = Standard	Meter Size 2 = 5/8x3/4 3 = 3/4	Height For special heights, contact factory.	Meter Connections		Blank Space	Crab Style

Made to set two 7 1/2 meter thread x meter thread devices.

N = No valve; meter nut only
For other special meter connections, contact factory.

Series 58 - Inverted Tandem Resetter

For installing a regulator and meter in an existing setting and there is little room above.



2" Rise from original meter height

Model 58-202NN X406

58	-	2	02	N	N		X406
Inverted Tandem Resetter Series 58	Dash = Standard	Meter Size 2 = 5/8x3/4 3 = 3/4	Height For special heights, contact factory.	Meter Connections		Blank Space	Inverted Style

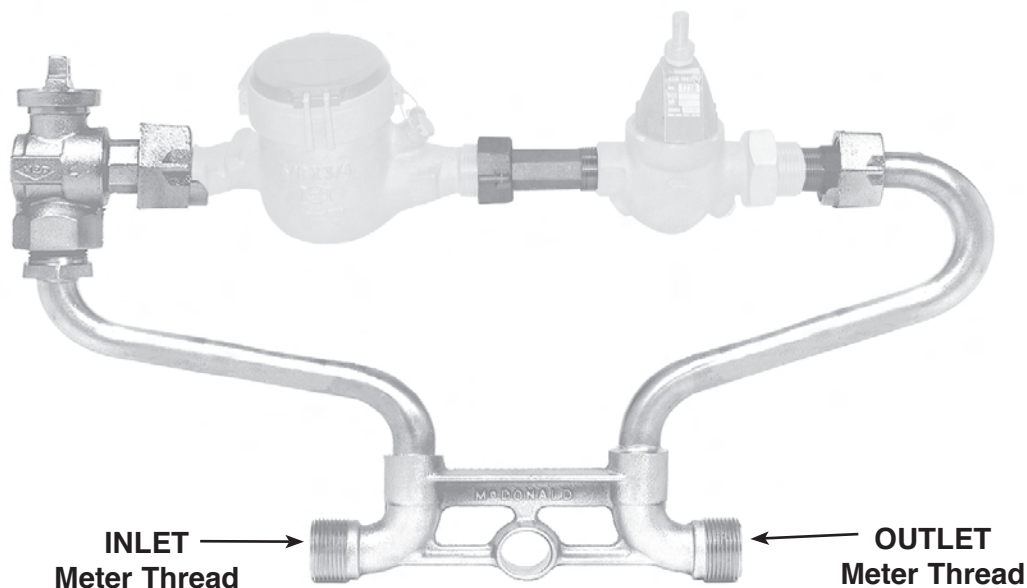
N = No valve; meter nut only
For other special meter connections, contact factory.

Not all combinations available, contact factory with your requirements.

MOST METER SETTERS ARE MADE TO ORDER AND ARE NOT RETURNABLE.

Please verify with the factory that the model number you have configured is available and meets your requirements.

■ Series 58 - Inline Tandem Resetter



Model 58-207QN X15.81

58	-	2	07	Q	N		X15.81
-----------	----------	----------	-----------	----------	----------	--	---------------

Horizontal
Inline
Tandem
Resetter
58

Dash =
Standard

Meter
Size
1 = 5/8
2 = 5/8x3/4
3 = 3/4
4 = 1

Height
07"
09"
10"
12"
15"
18"
21"
24"

For special
heights,
contact
factory.

Inlet
Meter Connections

Outlet
Connections

Blank
Space

Flange to
Flange
Spread

-
- A = Angle single check valve on outlet
 - F = Angle dual check valve on outlet (ASSE 1024)
 - Q = Angle lockwing ball valve
 - N = No valve; meter nut only
- For other special meter connections, contact factory.

Not all combinations available, contact factory with your requirements.

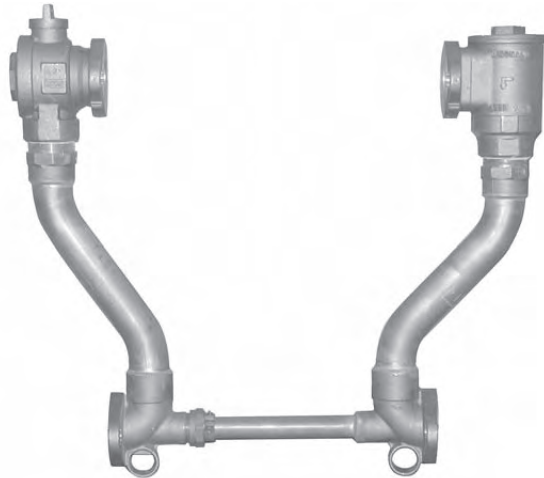
MOST METER SETTERS ARE MADE TO ORDER AND ARE NOT RETURNABLE.

Please verify with the factory that the model number you have configured is available and meets your requirements.

Series 18 • Horizontal Style Reseters - 1 1/2" and 2"

No Bypass

- 1" copper cross tube is standard for no by-pass reseters
- Brace eyes are sized to fit 1" iron pipe or 1" PVC



INLET
Meter Flange **OUTLET**
Meter Flange

Model 18-618WD

**For Tandem Setter,
order Series 58**

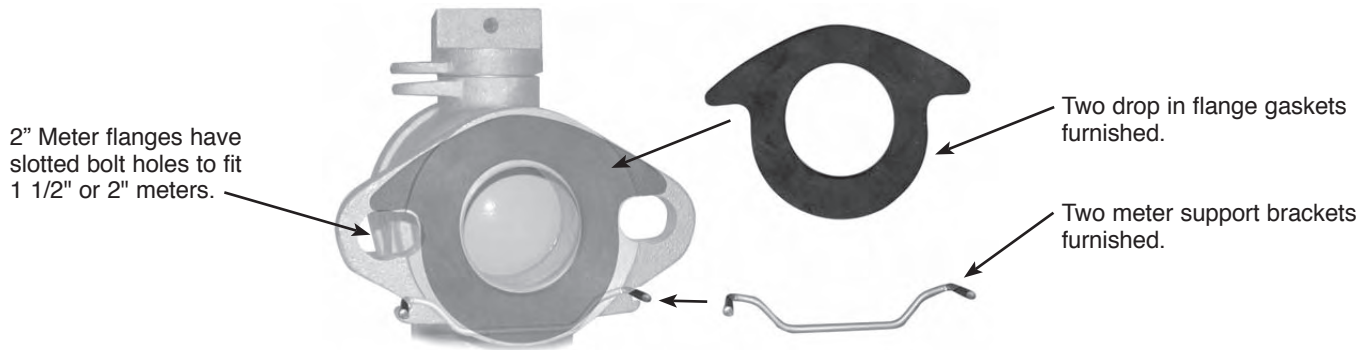
Example 58-618WD
Tandem Reseters are supplied with 610M adapters and "S" tube. Please specify device length and threads when ordering

18	-	6	18	W	D
Horizontal Reseter Series	Dash = Standard	Meter Size	Height	Inlet Meter Connections	Outlet Meter Connections
18	No Bypass	6 = 1 1/2 7 = 2	12" 15" 18" 21" 24" 27"	↓	D = Angle Dual Check Valve E = Angle Dual Check Valve with 1" Tap in Cap with 1" NPT Plug Assembled F = Angle Dual Check Valve with 1 1/2" Tap in Cap and 1 1/2" NPT Plug Assembled G = Angle Dual Check Valve with 2" Tap in Cap and 2" NPT Plug Assembled N = Flanged Elbow T = Flanged Tee with 2" Plug in top of Tee for access W = Angle lockwing ball valve
58			For other heights, contact factory. Minimum height may apply based on configuration of reseter.		
Series Horizontal Tandem Reseter					

Not all combinations available, contact factory with your requirements.
MOST METER SETTERS ARE MADE TO ORDER AND ARE NOT RETURNABLE.
 Please verify with the factory that the model number you have configured is available and meets your requirements.

Meter Size	1 1/2	2
Standard Laying Length	13"	17"

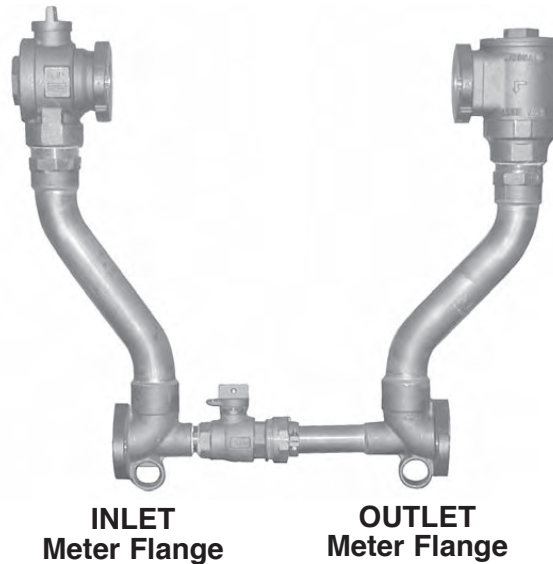
- Other meter laying lengths must be specified
- An additional 3/8" is added to top spacing to allow for gaskets: Standard 2" top spacing = 17 3/8"



Series 18 • Horizontal Style Reseters - 1 1/2" and 2"

With Bypass

- Brace eyes are sized to fit 1" iron pipe or 1" PVC
- 2" Meter flanges have slotted bolt holes to fit 1 1/2" or 2" meters.
- Two drop in flange gaskets furnished.
- Two meter support brackets furnished.
- 1 1/4" bypass includes a 1" x 1" x 1 1/4" ball valve.
- Reseter with bypass requires a check valve or ball valve on outlet.
- Cross sized Reseters available, Contact Factory.



**INLET
Meter Flange**

**OUTLET
Meter Flange**

**For Tandem Setter,
order Series 58**

Example 58-618WD
Tandem Reseters are supplied with 610M adapters and "S" tube. Please specify device length and threads when ordering

Model 18B618WD



Series
18

Bypass

Meter Size
6 = 1 1/2
7 = 2

Height
12"
15"
18"
21"
24"
27"

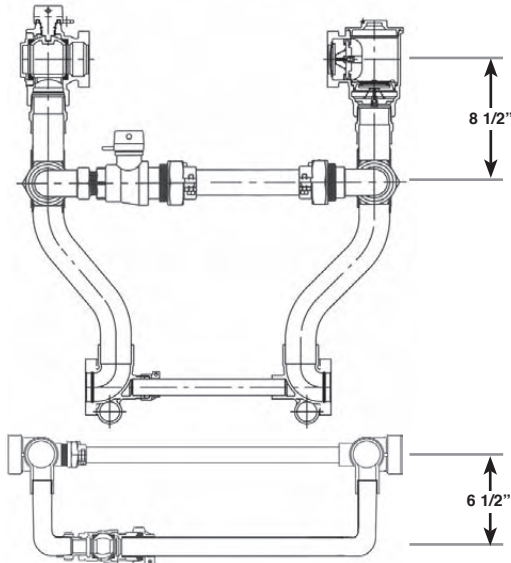
Inlet Meter Connections

Outlet

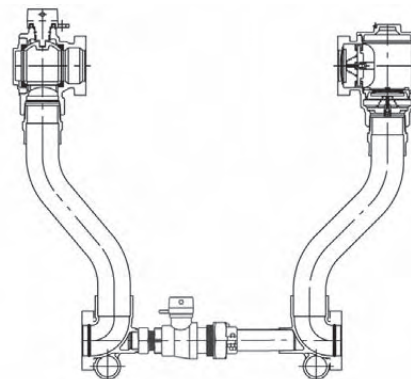
- B** = Low Bypass
J = High Offset -Right side - w/6107 w/Brass Handle Inline on Outlet side below top connection
K = Low - w/6107 w/Brass handle on outlet side below top connection
M = High Offset - Right side - For use with 5/8x3/4 meter built into bypass
R = High Offset

For other heights, contact factory.
Minimum height may apply based on configuration of setter.

- D** = Angle Dual Check Valve
E = Angle Dual Check Valve with 1" Tap in Cap with 1" NPT Plug Assembled
F = Angle Dual Check Valve with 1 1/2" Tap in Cap and 1 1/2" NPT Plug Assembled
G = Angle Dual Check Valve with 2" Tap in Cap and 2" NPT Plug Assembled
N = Flanged Elbow
T = Flanged Tee with 2" Plug in top of Tee for access
W = Angle locking ball valve



R = High Offset Bypass
6 1/2" to right of meter



B = Low Bypass

Not all combinations available, contact factory with your requirements.
MOST METER SETTERS ARE MADE TO ORDER AND ARE NOT RETURNABLE.
 Please verify with the factory that the model number you have configured is available and meets your requirements.

Accessories



Meter Bushings Changes thread size only
10J12 - Converts 5/8" meter spud to 5/8" x 3/4" meter spud - 2 pieces required per meter



10J45 - Converts 1" meter spud to 1 1/4" meter spud
 2 pieces required per meter



Meter Adapters Converts meter size and laying length
10J13 - Converts 5/8" meter to 3/4" meter
 2 pieces required per meter



10J34 - Converts 3/4" meter to 1" meter
 2 pieces required per meter



10J14 - Converts 5/8" meter to 1" meter
 2 pieces required per meter



10J46 - Converts 1" meter to 1 1/2" flanged meter size and length
 2 pieces required per meter



10J23 - Converts 5/8" x 3/4" meter to 3/4" meter - 1 piece required per meter



10J47 - Converts 1" meter to 2" flanged meter size and length
 2 pieces required per meter



10J24 - Converts 5/8" x 3/4" meter to 1" meter
 2 pieces required per meter



10J67 - Converts 1 1/2" flanged meter to 2" flanged meter size and length
 2 pieces required per meter

Gaskets



MODEL	DESCRIPTION	METER SIZE
18-G1	5/8" Rubber	5/8
18-G1F	5/8" Fiber	5/8
18-G1L	5/8" Waxed Leather	5/8
18-G2	3/4" Rubber	5/8x3/4 or 3/4
18-G2F	3/4" Fiber	5/8x3/4 or 3/4
18-G2L	3/4" Waxed Leather	5/8x3/4 or 3/4
18-G4	1" Rubber	1
18-G4F	1" Fiber	1
18-G4L	1" Waxed Leather	1



6121 -Meter support bracket
 1 1/2" and 2"



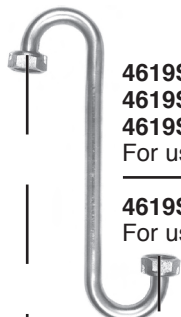
MODEL	DESCRIPTION	METER SIZE
18-G6	1 1/2" Flange-Rubber	1 1/2
18-G7	2" Flange-Rubber	2
4620G	1 1/2" Round-Rubber	1 1/2
4620G	2" Round-Rubber	2

Tandem Options • 5/8", 5/8"x3/4", and 1" Sizes

All A.Y. McDonald tandem copper setters are designed to provide the user with the option of placing an auxiliary device in addition to a water meter in a space as small as 18" in diameter (see Table I). The auxiliary device could be a pressure regulator, pressure relief valve, backflow preventer, etc. Table I also shows typical laying lengths available for these devices. Other lengths can be provided. Contact our customer service department for details.

- Standard centerline spread for 5/8, 5/8x3/4, 3/4 meters is 7". 1" meter is 9"
- Tandem meter setter "S" bar (4619S-size) and brass adapters (4619-size) come as standard when ordering tandem reseters, but are also available separately (see below). Contact factory.
- Reseters with cross-over meter sizes are available. Contact factory.

Meter Size	Device Length (FIP x FIP)	Minimum Recommended Inside Pit Diameter
5/8	4" to 5"	18"
5/8 x 3/4	4" to 5"	18"
3/4	4" to 5"	20"
1	5" to 6"	21"



Tandem "S" Bar

4619S 5/8 x 4.5 - for use with 5/8 meter tandem
4619S 5/8x3/4 x 4.5 - for use with 5/8x3/4 meter tandem
4619S 3/4 x 4.5 - for use with 3/4 meter tandem
 For use with 4"-5" device

4619S 1 x 5.5 - for use with 1 meter tandem
 For use with 5"-6" device



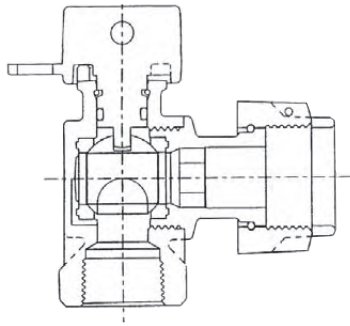
"S" Bar Adapter

Two pieces required per device

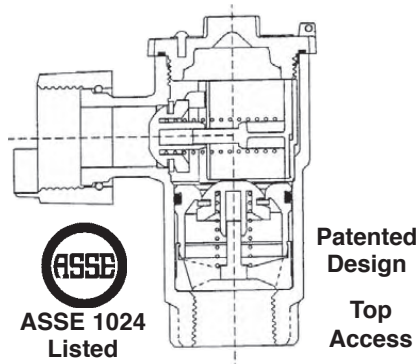
4619 5/8 - (5/8 meter x 3/4 NPT)
4619 3/4 - (5/8x3/4 or 3/4 meter x 3/4 NPT)
4619 1 - (1 meter x 1 NPT)

7" Spread for 5/8", 5/8"x 3/4" and 3/4" Meters
 9" Spread for 1" Meters

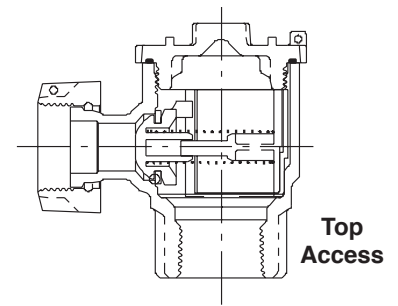
Valves and Option Details



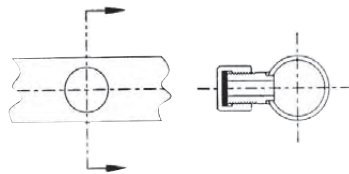
Angle Meter Valve Ball Style



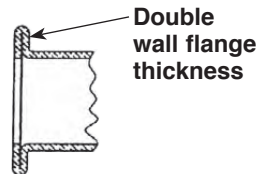
Angle Dual Check Valve



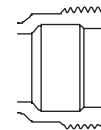
Angle Single Check Valve



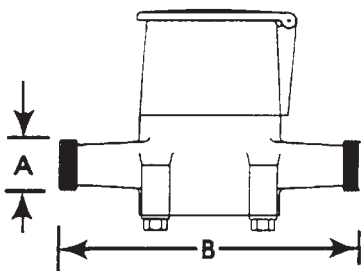
Test Valve in Tubing



Copper Tube Flange



Meter Threads



Meter Dimensions

Meter Size	Oval Flange					
	5/8	5/8 x 3/4	3/4	1	1 1/2	2
A-Meter Threads	3/4"	1"	1"	1 1/4"	1 1/2"	2"
B-Laying Length	7 1/2"	7 1/2"	9"	10 3/4"	13"	17"
A.Y. McDonald Spacing*	7 13/16"	7 13/16"	9 5/16"	11 3/32"	13.38"	17.38"

*Allows for meter and two gaskets.

NOTE: A.Y. McDonald uses the above standards for typical meter applications. If your application is special or in question, you should always measure the meter as shown above.

Resetter Abbreviations / Definitions

ASSE - American Society of Sanitary Engineers

FNPT - Female National Pipe Threads

MNPT - Male National Pipe Threads

PRV - Pressure Relief Valve

Idler - Brass fitting used to replace a void in service line.

Typically sized to fill a dimensional void of the water meter or check valve.

Cross-Over - The changing from one size meter to another

(Example: Replacing a 1" meter with a 3/4" meter)

Meter Spud - The inlet/outlet threaded ends of the water meter

Test Valve - Small threaded tube used to test the flow of water through the line