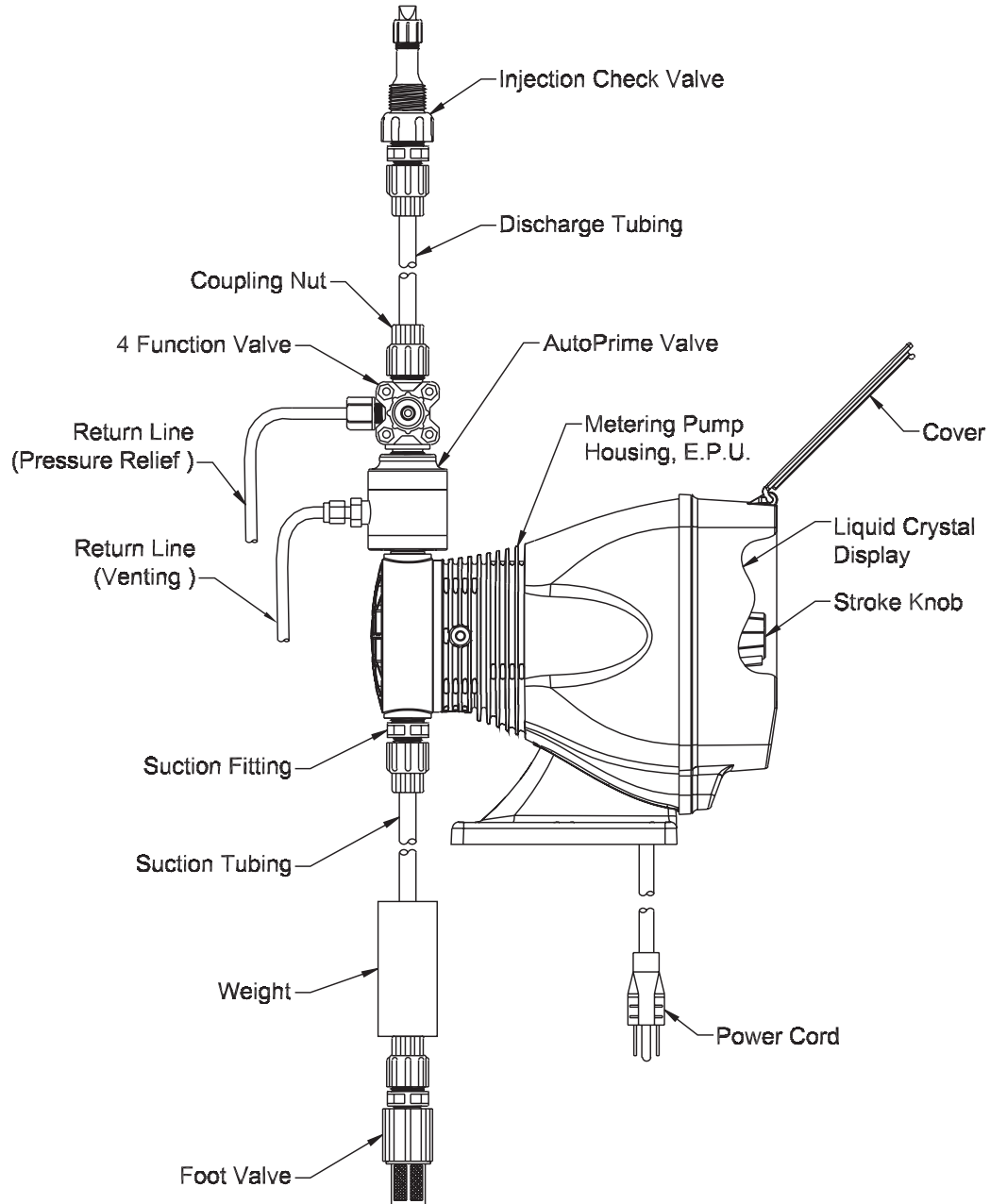


Instruction Supplement

Series AA9

Electronic Metering Pump

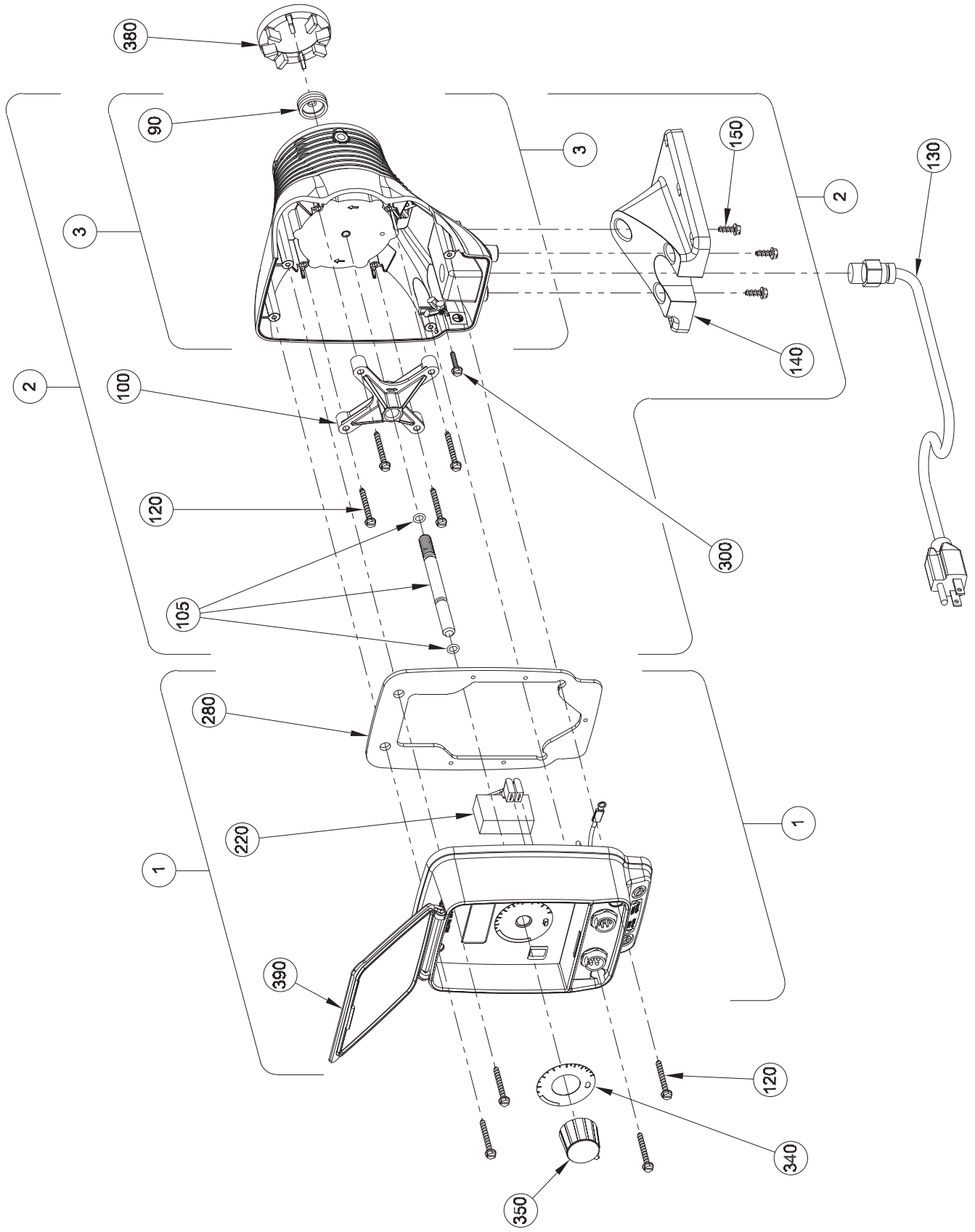


Metering Pump Component Diagram



201 Ivyland Road
Ivyland, PA 18974 USA
TEL: (215) 293-0401
FAX: (800) 327-7563
<http://www.lmipumps.com>

Series AA9 Drive Assembly Exploded View Diagram

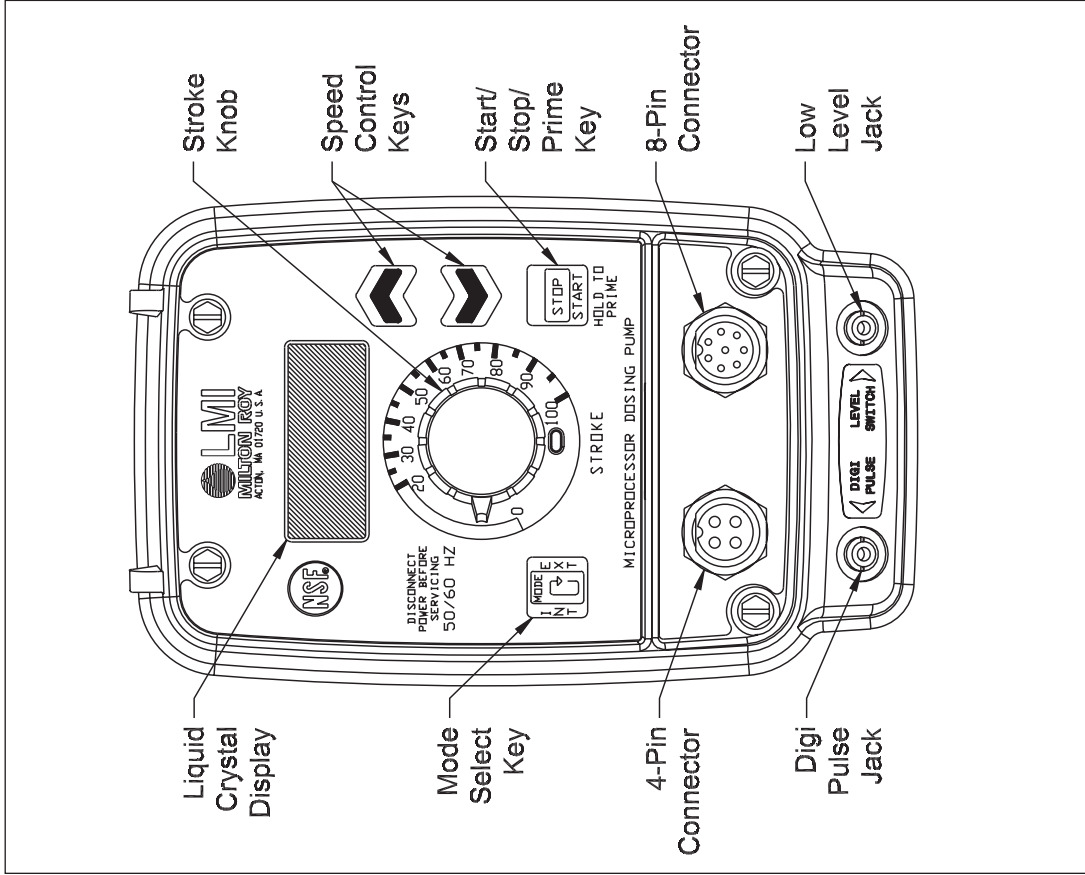


Series AA9 Drive Assembly Parts List

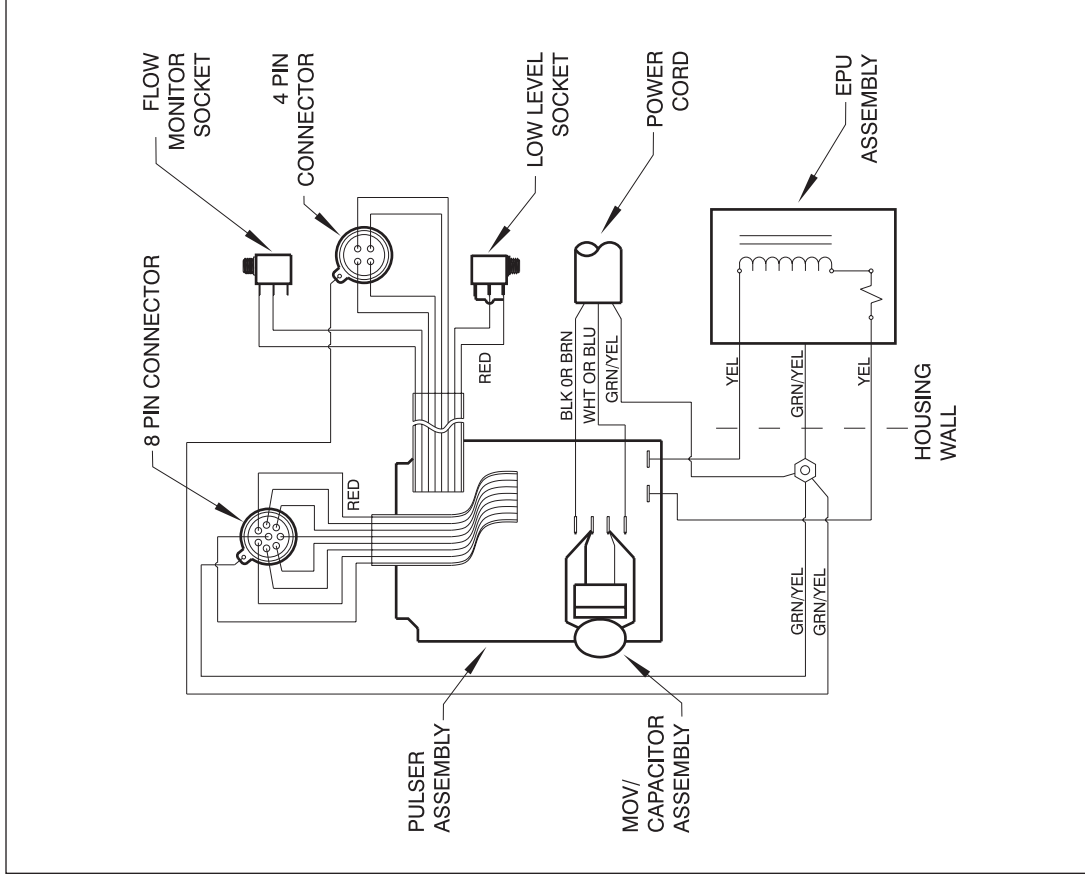
Key No.	Model Series	Part No.	Description	Part No.	Description	Qty.
130	AA941, AA951, AA961, AA971, AA981	29033CE	Power Cord Assembly, 115V	29033CE	Power Cord Assembly, 115V	1
	AA742, AA752, AA762, AA772, AA782	29039CE	Power Cord Assembly, 230V US	29039CE	Power Cord Assembly, 230V US	1
	AA743, AA753, AA763, AA773, AA783	29042CE	Power Cord Assembly, 230V DIN	29042CE	Power Cord Assembly, 230V DIN	1
	AA745, AA755, AA765, AA775, AA785	29044CE	Power Cord Assembly, 240V UK	29044CE	Power Cord Assembly, 240V UK	1
	AA746, AA756, AA766, AA776, AA786	29046CE	Power Cord Assembly, 250V AU/ST	29046CE	Power Cord Assembly, 250V AU/ST	1
	AA747, AA757, AA767, AA777, AA787	29048CE	Power Cord Assembly, 230V SWISS	29048CE	Power Cord Assembly, 230V SWISS	1
	AA9	37879	Foot	37879	Foot	1
	AA9	38199	Screw	38199	Screw	3
	AA9	10422	Retaining Ring	10422	Retaining Ring	1
	AA741, AA751, AA761, AA771, AA781	35254	MOV and Capacitor Assy, 115V	35254	MOV and Capacitor Assy, 115V	1
	AA942, AA952, AA962, AA972, AA982	35255	MOV and Capacitor Assy, 230-250V	35255	MOV and Capacitor Assy, 230-250V	1
	AA943, AA953, AA963, AA973, AA983					
	AA945, AA955, AA965, AA975, AA985					
AA946, AA956, AA966, AA976, AA986						
AA947, AA957, AA967, AA977, AA987						
280	AA9	38887	Gasket	38887	Gasket	1
300	AA9	41244	Screw	41244	Screw	1
340	AA76	30374	Stroke Dial	30374	Stroke Dial	1
	AA77	29269	Stroke Dial	29269	Stroke Dial	1
	AA78	29268	Stroke Dial	29268	Stroke Dial	1
350	AA9	31890	Stroke Knob Assembly	31890	Stroke Knob Assembly	1
380	AA74, AA77	29445	Disk, 0.5	29445	Disk, 0.5	1
	AA75, AA78	29437	Disk, 0.9	29437	Disk, 0.9	1
	AA76	29442	Disk, 1.8	29442	Disk, 1.8	1
390	AA9	37974	Cover	37974	Cover	1

Key No.	Model Series	Part No.	Description	Part No.	Description	Qty.
1	AA941, AA951, AA961, AA971, AA981	48018	Control Panel Assembly, 115V	48018	Control Panel Assembly, 115V	1
	AA942, AA952, AA962, AA972, AA982	48019	Control Panel Assembly, 230-250V	48019	Control Panel Assembly, 230-250V	1
	AA943, AA953, AA963, AA973, AA983					
	AA945, AA955, AA965, AA975, AA985					
	AA946, AA956, AA966, AA976, AA986					
	AA947, AA957, AA967, AA977, AA987					
	AA941, AA951	48034	EPU w/ Stroke Adjustment, 115V	48034	EPU w/ Stroke Adjustment, 115V	1
	AA942, AA943, AA945, AA946, AA947	48035	EPU w/ Stroke Adjustment, 230-250V	48035	EPU w/ Stroke Adjustment, 230-250V	1
	AA952, AA953, AA955, AA956, AA957					
	AA961	48036	EPU w/ Stroke Adjustment, 115V	48036	EPU w/ Stroke Adjustment, 115V	1
	AA962, AA963, AA965, AA966, AA967	48037	EPU w/ Stroke Adjustment, 230-250V	48037	EPU w/ Stroke Adjustment, 230-250V	1
	AA971, AA981	48038	EPU w/ Stroke Adjustment, 115V	48038	EPU w/ Stroke Adjustment, 115V	1
	AA972, AA973, AA975, AA976, AA977	48039	EPU w/ Stroke Adjustment, 230-250V	48039	EPU w/ Stroke Adjustment, 230-250V	1
AA982, AA983, AA985, AA986, AA987						
AA941, AA951	48025	EPU, 115V	48025	EPU, 115V	1	
AA942, AA943, AA945, AA946, AA947	48026	EPU, 230-250V	48026	EPU, 230-250V	1	
AA952, AA953, AA955, AA956, AA957						
AA961	48027	EPU, 115V	48027	EPU, 115V	1	
AA962, AA963, AA965, AA966, AA967	48028	EPU, 230-250V	48028	EPU, 230-250V	1	
AA971, AA981	48029	EPU, 115V	48029	EPU, 115V	1	
AA972, AA973, AA975, AA976, AA977	48030	EPU, 230-250V	48030	EPU, 230-250V	1	
AA982, AA983, AA985, AA986, AA987						
AA9	10973	Seal	10973	Seal	1	
AA9	38886	Stroke Adjustment Bracket	38886	Stroke Adjustment Bracket	1	
AA9	48012	Stroke Adjustment Shaft Assembly	48012	Stroke Adjustment Shaft Assembly	1	
AA9	41227	Screw	41227	Screw	8	

Series AA9 Control Panel Detail



Series AA9 Wiring Diagram



© 2003 LMI Milton Roy - USA - All Rights Reserved
 Printed in USA
 Specifications subject to change without notice.

