



OWNER'S MANUAL

CP, CB SERIES CENTRIFUGAL PUMP

MODELS

Medium Head – Noryl® Impellers

Medium Head – Brass Impellers

High Head – Noryl® Impellers

High Head – Brass Impellers

1/3 through 2-1/2 H.P.:

115/230 Volt Single Phase

230 Volt Single Phase

230/460 Volt Three Phase

BERKELEY LIMITED WARRANTY

Berkeley/Wicor Canada Company ("Wicor") warrants to the original consumer purchaser ("Purchaser") of its products that they are free from defects in material or workmanship.

If within twelve (12) months from the date of installation or twenty-four (24) months from the date of manufacture any such product shall prove to be defective, it shall be repaired or replaced at Berkeley's/Wicor's option, subject to the terms and conditions set forth below.

General Terms and Conditions

Purchaser must pay all labor and shipping charges necessary to replace product covered by this warranty. This warranty shall not apply to products which, in the sole judgement of Berkeley/Wicor, have been subject to negligence, abuse, accident, misapplication, tampering, alteration; nor due to improper installation, operation, maintenance or storage; nor to other than normal application, use or service, including but not limited to, operational failures caused by corrosion, rust or other foreign materials in the system, or operation at pressures in excess of recommended maximums.

Requests for service under this warranty shall be made by contacting the installing Berkeley/Wicor dealer as soon as possible after the discovery of any alleged defect. Berkeley/Wicor will subsequently take corrective action as promptly as reasonably possible. No requests for service under this warranty will be accepted if received more than 30 days after the term of the warranty.

The warranty on all three phase submersible motors is void if three-leg overload protection of recommended size is not used.

This warranty sets forth Berkeley's/Wicor's sole obligation and purchaser's exclusive remedy for defective products.

BERKELEY/WICOR SHALL NOT BE LIABLE FOR ANY CONSEQUENTIAL, INCIDENTAL, OR CONTINGENT DAMAGES WHATSOEVER.

THE FOREGOING WARRANTIES ARE EXCLUSIVE AND IN LIEU OF ALL OTHER EXPRESS WARRANTIES. IMPLIED WARRANTIES, INCLUDING BUT NOT LIMITED TO THE IMPLIED WARRANTIES OF MERCHANTABILITY AND FITNESS FOR A PARTICULAR PURPOSE, SHALL NOT EXTEND BEYOND THE DURATION OF THE APPLICABLE EXPRESS WARRANTIES PROVIDED HEREIN.

Some states do not allow the exclusion or limitation of incidental or consequential damages or limitations on how long an implied warranty lasts, so the above limitations or exclusions may not apply to you. This warranty gives you specific legal rights and you may also have other rights which vary from state to state.

In the U.S.: Berkeley, 293 Wright St., Delavan, WI 53115

In Canada: Wicor Canada Company, 1800 Courtney Park Drive East, Unit 5-7, Mississauga, Ontario L5T 1W1

Berkeley Pumps / 293 Wright Street / Delavan, Wisconsin 53115

BE873 (Rev. 8/10/05)

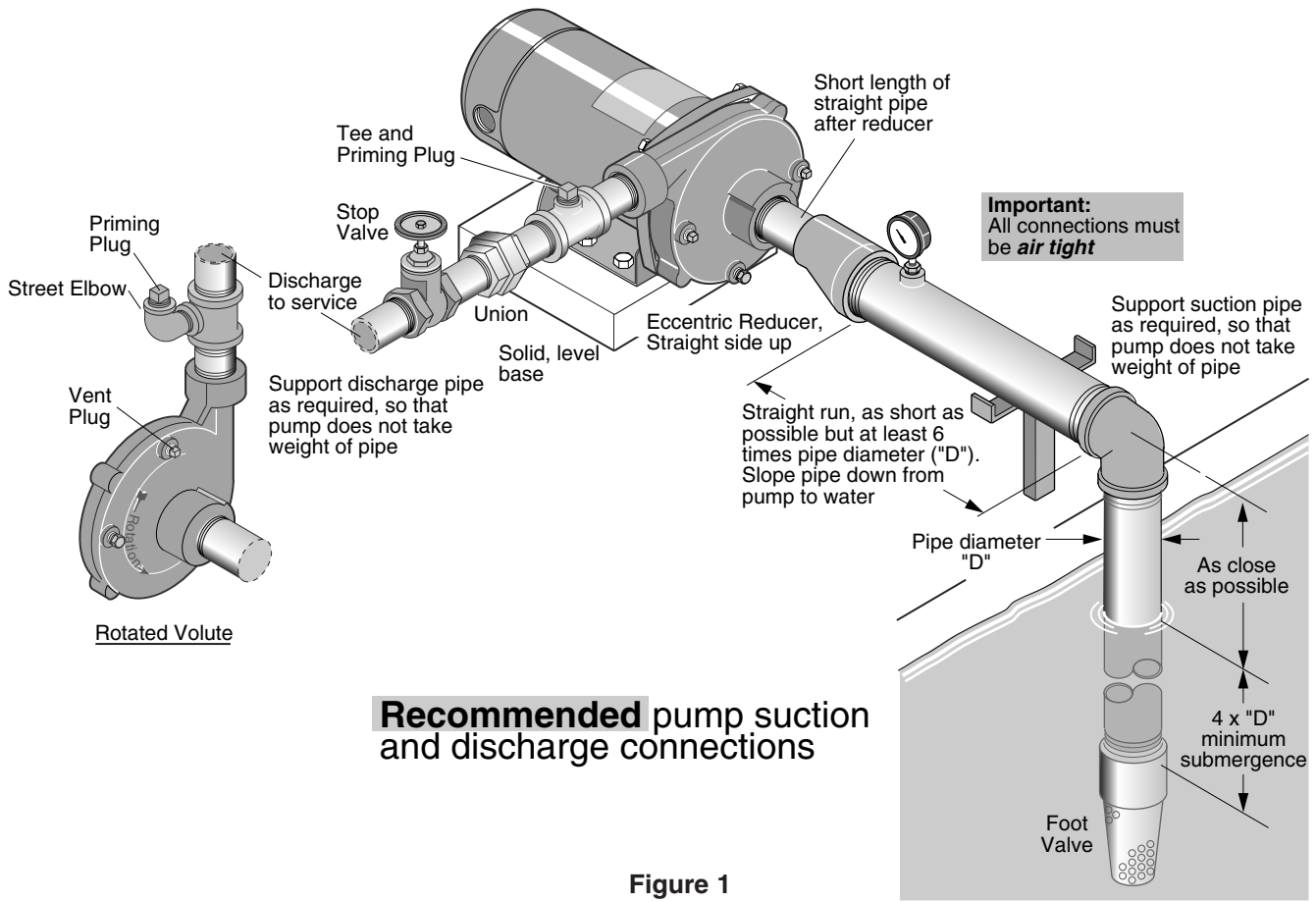


Figure 1

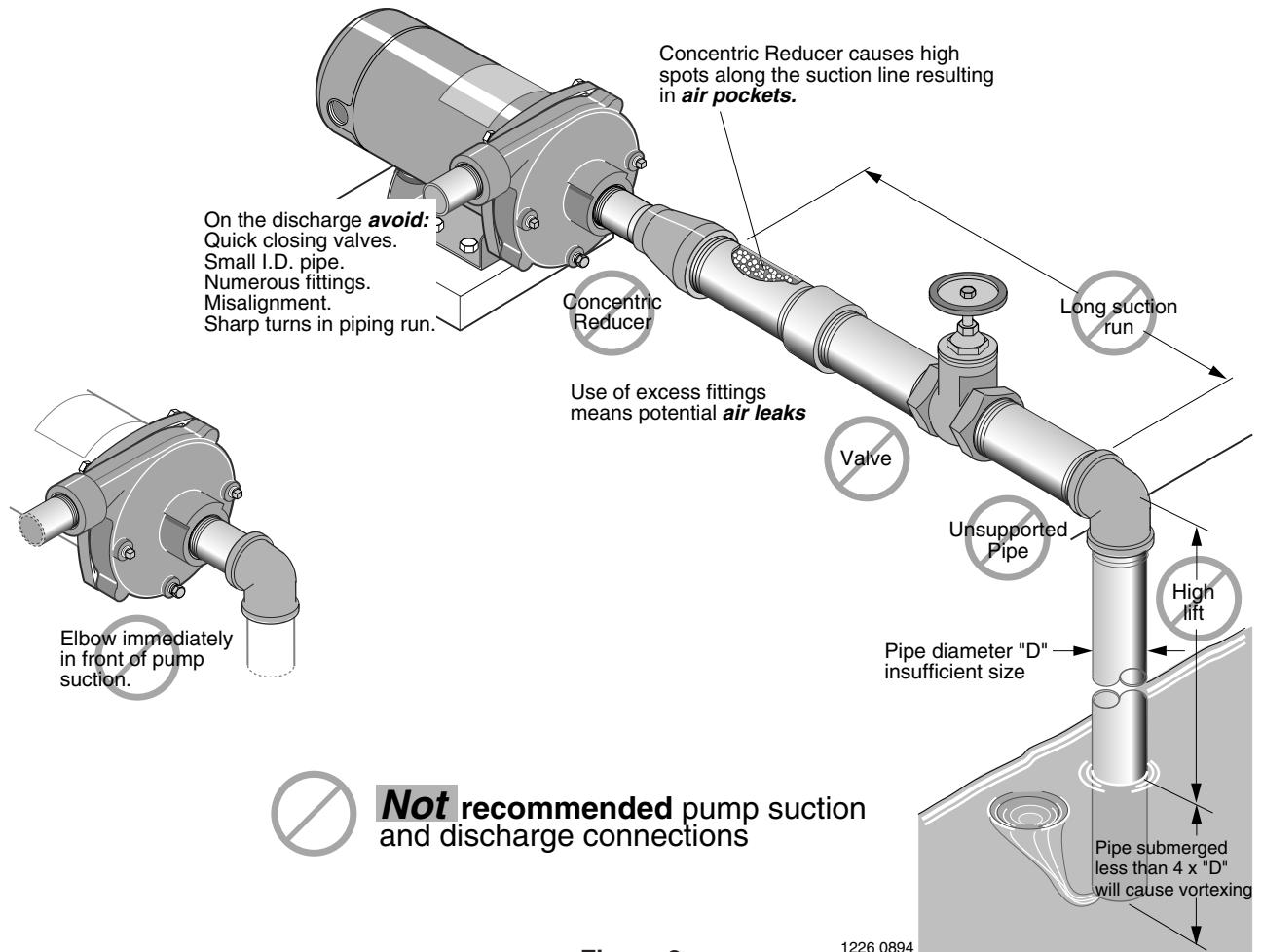


Figure 2

1226 0894

PIPING - GENERAL

Support both suction and discharge piping independently at a point near the pump to avoid putting a strain on the pump housing. Start all piping **AT THE PUMP**.

Increase pipe diameter at both the suction and discharge by one (1) standard pipe size (minimum) to obtain desired performance and flow rate. Refer to Table I when sizing pipe for your pumping system.

NOTICE: Do not use pipe with **smaller** diameter on the suction side of pump.

TABLE I

Pump Port Size (NPT)		Recommended Pipe Size	
Suction	Discharge	Suction	Discharge
1-1/4	1	1-1/2	1-1/4
1-1/2	1-1/4	2	1-1/2
2	1-1/2	3	2

SUCTION PIPE

Increase pipe size from pump suction port as shown in Table I.

Figure 1 (Page 2) depicts a recommended run of pipe and fittings for the suction side of a centrifugal pump. Please refer to this illustration when choosing pipe and fittings for your suction connection.

IMPORTANT: All connections must be air tight!

Figure 2 (Page 2) depicts conditions that are **NOT DESIRABLE** on the suction side of a centrifugal pump and may cause problems in flow rate and priming. Please look this illustration over carefully before choosing pipe and fittings for your suction connection.

DISCHARGE PIPING

Increase pipe size from pump discharge port as shown in Table I. Figure 1 (Page 2) depicts a recommended run of pipe and fittings for the discharge. Install tee with priming plug as close to pump as possible. Figure 2 (Page 2) notes conditions that should be avoided. Please read over carefully before making discharge connection.

PRIMING THE PUMP

A pump is primed when all air in the suction line and pump volute has been evacuated and replaced with water.

To Prime:

1. Close valve in discharge line.
2. Remove priming plug from tee and fill pump and suction line with water until water is flowing back out of tee.
3. Replace priming plug.
4. Start pump and slowly open valve until desired water flow is achieved.

NOTICE: If water is not being pumped, turn off pump, close valve, and repeat steps 1 thru 4.

If pump volute is rotated as shown in Figure 1 (Page 2), loosen vent plug when priming to evacuate air trapped inside volute. Tighten when volute is completely filled with water.

NOTICE: Do not run the pump dry. This will damage mechanical seal and void warranty.

▲ CAUTION

Burn hazard. Motor normally operates at high temperature and will be too hot to touch. It is protected from heat damage during operation by an automatic internal cutoff switch. Before handling pump or motor, stop motor and allow it to cool for 20 minutes.

TABLE II - RECOMMENDED FUSING AND WIRING DATA - 60 CYCLE MOTORS

MOTOR HP	MAX. LOAD AMPERES	BRANCH FUSE* RATING AMPS	DIAMETER IN FEET FROM MOTOR TO METER					
			0' TO 50'	51' TO 100'	101' TO 200'	201' TO 300'	301' TO 400'	401' TO 500'
WIRE SIZE								
SINGLE PHASE - 115 VOLT								
1/3	9.4	15	14	14	12	10	8	8
1/2	9.4	15	14	14	12	10	8	8
3/4	12.2	20	12	12	10	8	6	4
1	14.8	20	12	12	8	6	6	4
1-1/2	19.2	30	10	10	8	6	4	2
2	24.0	30	12	10	6	6	4	4
SINGLE PHASE - 230 VOLT								
1/3	4.7	15	14	14	14	12	12	10
1/2	4.7	15	14	14	14	12	12	10
3/4	6.1	15	14	14	14	14	12	10
1	7.4	15	14	14	14	12	12	10
1-1/2	9.6	15	14	14	14	12	10	10
2	12.0	15	14	14	12	12	10	8
2-1/2	12.0	15	14	14	12	12	10	8
THREE PHASE - 230 VOLT								
1/2	2.3	15	14	14	14	14	14	14
3/4	3.1	15	14	14	14	14	14	14
1	3.6	15	14	14	14	14	14	14
1-1/2	4.7	15	14	14	14	14	14	14
2	6.8	15	14	14	14	14	14	12
2-1/2	8.5	15	14	14	14	14	14	12
THREE PHASE - 460 VOLT								
1/2	1.15	15	14	14	14	14	14	14
3/4	1.55	15	14	14	14	14	14	14
1	1.8	15	14	14	14	14	14	14
1-1/2	2.35	15	14	14	14	14	14	14
2	3.4	15	14	14	14	14	14	14
2-1/2	4.25	15	14	14	14	14	14	14

*A Fusetron is recommended instead of a fuse in any motor circuit.

ELECTRICAL

Connection diagram for dual voltage, single-phase motors. Your dual-voltage motor's terminal board (under the motor end cover) will match one of the diagrams below. Follow that diagram if necessary to convert motor to 115 Volt power.

Connect power supply wires to L1 and L2. For 3-phase motors, or if motor does not match these pictures, follow the connection diagram on the motor nameplate.

THE MOTOR IS SET FOR 230 VOLTS WHEN SHIPPED.

To change the motor to use 115 volts:

1. Turn off power
2. Remove the back motor cover.
3. Use a screwdriver or 1/2" wrench and turn the voltage selector dial counterclockwise until 115 shows in the dial opening.
4. Reinstall the motor cover.

⚠ WARNING Hazardous voltage. Can shock, burn, or cause death. Disconnect power to motor before working on pump or motor. Ground motor before connecting to power supply.

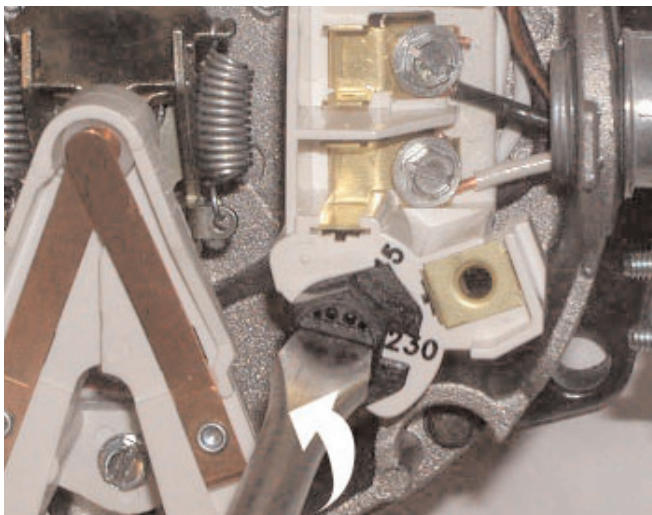


Figure 3: Changing the Voltage Setting

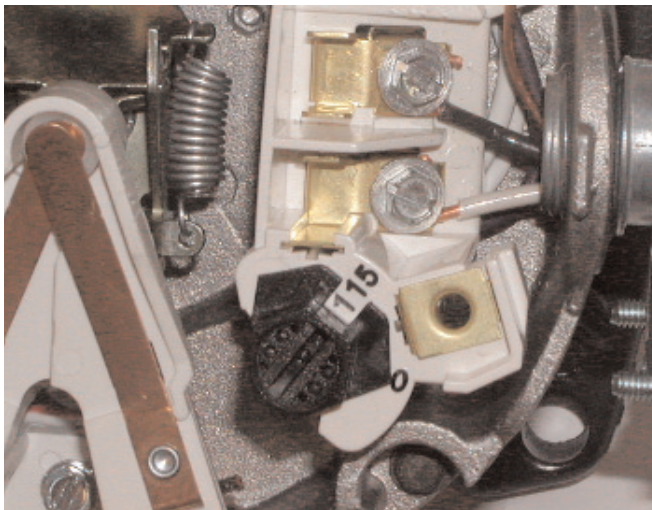


Figure 4: Motor Set for 115 Volt Operation

WIRING

⚠ Ground motor before connecting to electrical power supply. Failure to ground motor can cause severe or fatal electrical shock hazard.

⚠ Do not ground to a gas supply line.

⚠ To avoid dangerous or fatal electrical shock, turn OFF power to motor before working on electrical connections.

⚠ Supply voltage must be within $\pm 10\%$ of nameplate voltage. Incorrect voltage can cause fire or damage motor and voids warranty. If in doubt consult a licensed electrician.

⚠ Use wire size specified in Wiring Chart (Page 3). If possible, connect pump to a separate branch circuit with no other appliances on it.

⚠ Wire motor according to diagram on motor nameplate. If nameplate diagram differs from diagrams above, follow nameplate diagram.

1. Install, ground, wire and maintain your pump in compliance with the National Electrical Code (NEC) in the U.S., or the Canadian Electrical Code (CEC), as applicable, and with all local codes and ordinances that apply. Consult your local building inspector for code information.
2. Provide a correctly fused disconnect switch for protection while working on motor. For switch requirements, consult your local building inspector for information about codes.
3. Disconnect power before servicing motor or pump. If the disconnect switch is out of sight of pump, lock it open and tag it to prevent unexpected power application.
4. Ground the pump permanently using a wire of the same size as that specified in wiring chart (Page 3). Make ground connection to green grounding terminal under motor canopy marked GRD. or \ominus .
5. Connect ground wire to a grounded lead in the service panel or to a metal underground water pipe or well casing at least 10 feet long. Do not connect to plastic pipe or insulated fittings.
6. Protect current carrying and grounding conductors from cuts, grease, heat, oil, and chemicals.
7. Connect current carrying conductors to terminals L1 and L2 under motor canopy. When replacing motor, check wiring diagram on motor nameplate against Figure 3. If the motor wiring diagram does not match either diagram in Figure 3, follow the diagram on the motor.

IMPORTANT: 115/230 Volt single phase models are shipped from factory with motor wired for 230 volts. If power supply is 115 volts, remove motor canopy and reconnect motor as shown in Figure 4. Do not try to run motor as received on 115 volt current.

8. Motor has automatic internal thermal overload protection. If motor has stopped for unknown reasons, thermal overload may restart it unexpectedly, which could cause injury or property damage. Disconnect power before servicing motor.
9. If this procedure or the wiring diagrams are confusing, consult a licensed electrician.

SERVICE

PUMP SERVICE

This centrifugal pump requires little or no service other than reasonable care and periodic cleaning. Occasionally, however, a shaft seal (Key No. 4, Page 6) may become damaged and must be replaced. The procedure as outlined below will enable you to replace the seal.

NOTICE: These mechanical seals are supplied with either a rubber seat ring or a sealing O-Ring. They are completely interchangeable.

NOTICE: The highly polished and lapped faces of this seal are easily damaged. Read instructions and handle the seal with care.

Some models are equipped with an impeller screw, which has a left hand thread. Before unscrewing the impeller, remove the impeller screw.

REMOVAL OF OLD SEAL

1. After unscrewing impeller (Key No. 5, Page 6), carefully remove rotating part of seal by prying up on sealing washer, using two screwdrivers (see Figure 5A). Use care not to scratch motor shaft.
2. Remove seal plate (Key No. 3) from motor and place on flat surface, face down. Use a screwdriver to push ceramic seat out from seal cavity (see Figure 5B).

INSTALLATION OF FLOATING SEAT

(Figure 5C)

1. Clean polished surface of floating (ceramic) seat with clean cloth.
2. Turn seal plate over so seal cavity is up; clean cavity thoroughly.
3. Lubricate outside rubber surface or O-Ring of ceramic seat with soapy water and press firmly into seal cavity with finger pressure. If seat will not locate properly in this manner, place cardboard washer over polished face of seat and press into seal cavity using a 3/4" socket or 3/4" piece of standard pipe.
4. **DISPOSE OF CARDBOARD WASHER.** Be sure polished surface of seat is free of dirt and has not been damaged by insertion. Remove excess soapy water.

INSTALLATION OF ROTATING PART OF SEAL UNIT

- (Figure 5D)
1. Reinstall seal plate using extreme caution not to hit ceramic portion of seal on motor shaft.
 2. Inspect shaft to make sure that it is clean.
 3. Clean face of sealing washer with clean cloth.
 4. Lubricate inside diameter and outer face of rubber drive ring (see Figure 5D) with soapy water and slide assembly on motor shaft (sealing face first) until rubber drive ring hits shaft shoulder.
 5. Screw impeller on shaft until impeller hub hits shaft shoulder. This will automatically locate seal in place and move the sealing washer face up against the facing seat. Reinstall impeller screw (if used).

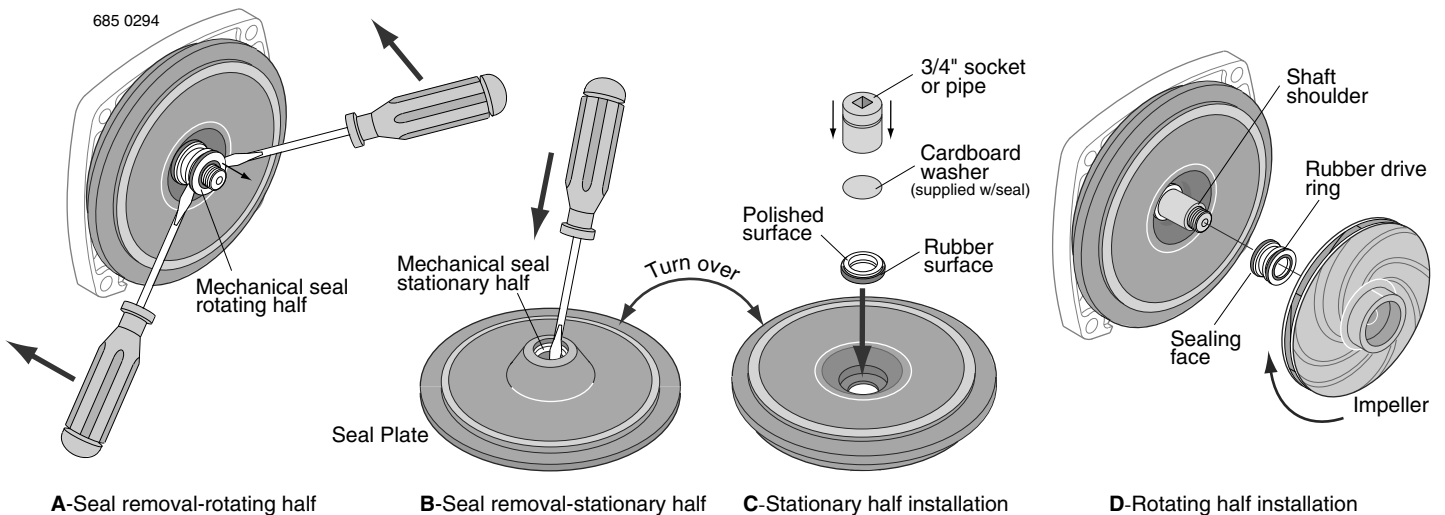
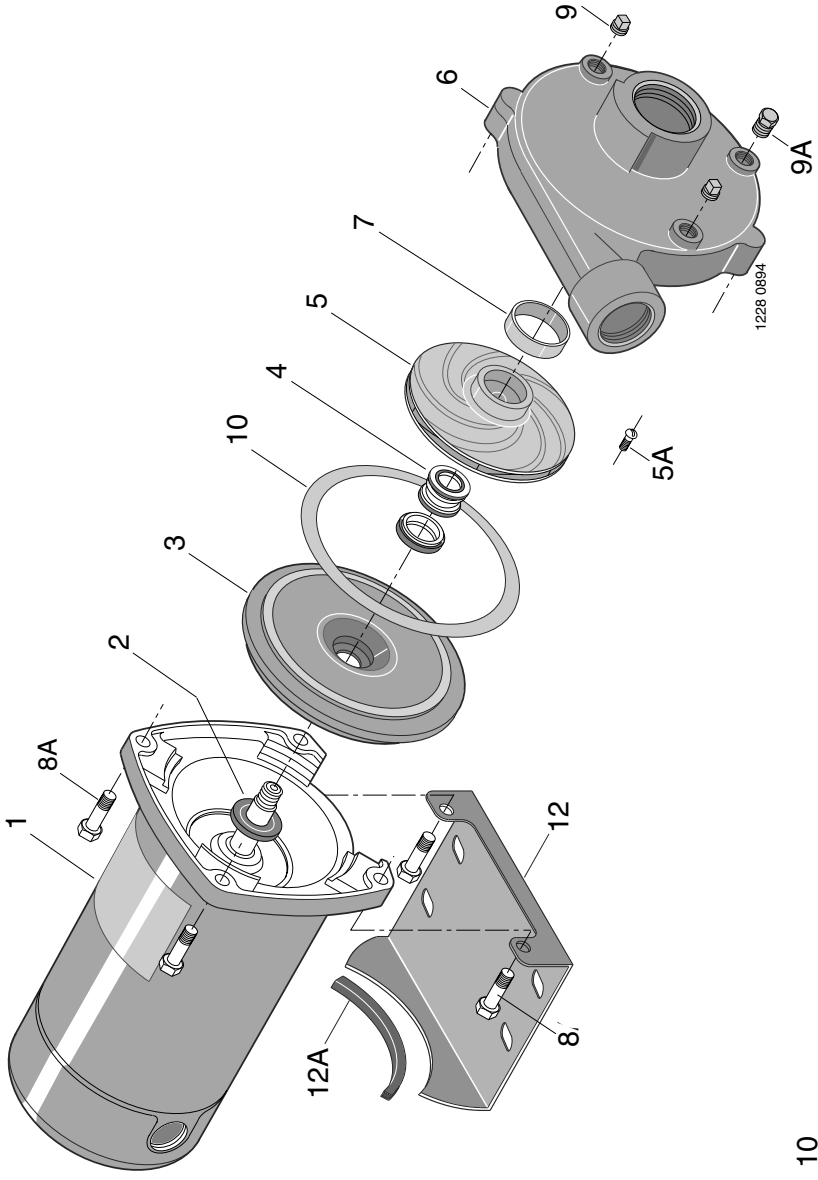
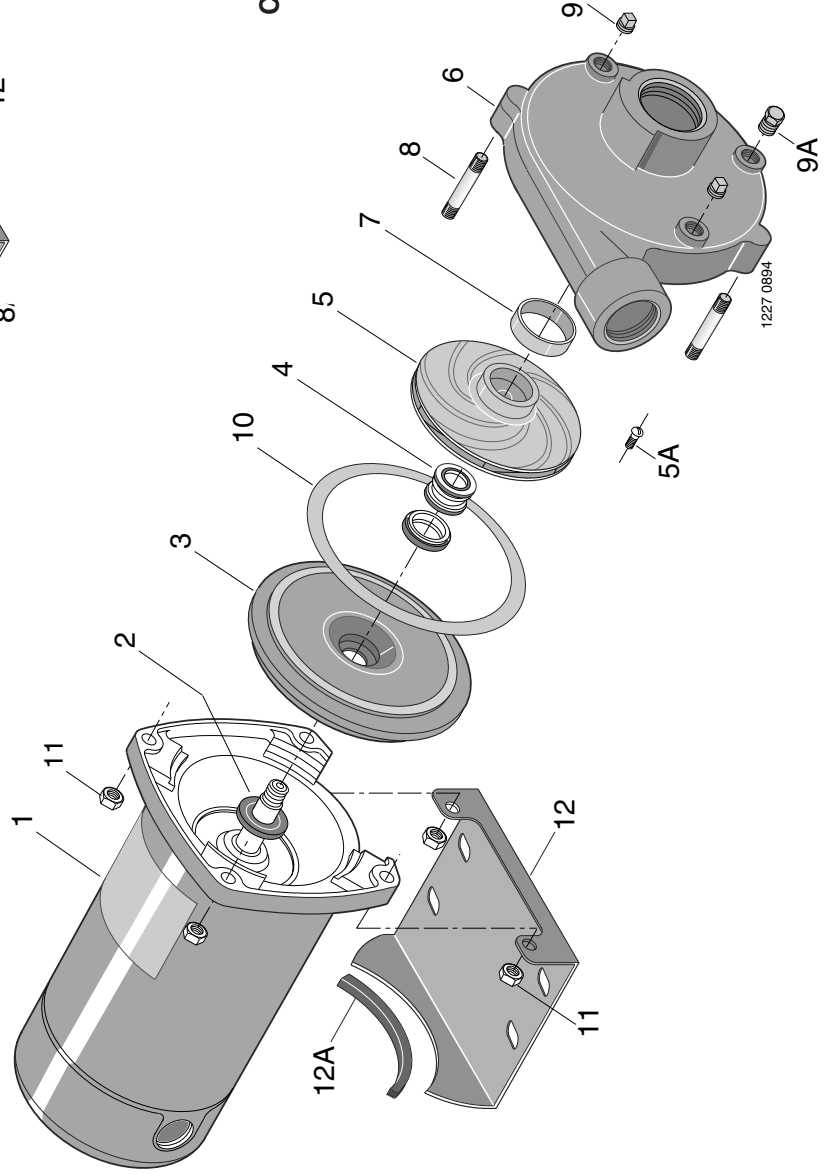


FIGURE 5



Capscrew Configuration



Stud Configuration

REPAIR PARTS LIST – MEDIUM HEAD – NORYL® IMPELLER

Key No.	Part Description	No. Used	MOTOR AND HORSEPOWER							
			CP1MPS				CP1 1/4 XPS			
			1/3 HP	1/2 HP	3/4 HP	1 HP	1 1/2 HP	2 HP		
1*	Motor - 115/230V, 60 Cycle, Single Phase	1	J218-582APKG	J218-582APKG	J218-590PKG	J218-596PKG	J218-601PKG	J218-883APKG		
1*	Motor - 230/460V, 60 Cycle, Three Phase	1	-	AP100CL	AP100DL	AP100EL	AP100FL	AP100GL		
†2	Water Slinger	1	17351-0009	17351-0009	17351-0009	17351-0009	17351-0009	17351-0009		
3	Seal Plate	1	N3-8	N3-8	N3-8	N3-8	C3-52	C3-52		
†4	Shaft Seal	1	U109-6A	U109-6A	U109-6A	U109-6A	U109-6A	U109-6A		
5	Impeller - Single Phase	1	J105-42PHA	J105-42PHA	J105-42PJA	J105-42PP	C105-114PC	C105-114PA		
5	Impeller - Three Phase	1	-	J105-42PHA	J105-42PJA	J105-42PPA	C105-114PCA	C105-114PA		
5A	Impeller Screw - Single Phase	1	-	-	-	-	-	C30-14SS		
5A	Impeller Screw - Three Phase	1	-	C30-6SS	C30-6SS	C30-6SS	C30-14SS	C30-14SS		
6	Volute Assembly - Complete	1	-	-	-	-	C201-123	C201-123		
6	Volute Assembly - w/Wear Ring	1	C101-122E	C101-122E	C101-122E	C101-122	-	-		
7	Wear Ring (only)	(1)	N23-7	N23-7	N23-7	N23-7	C23-19	C23-19		
8	Studs - 3/8 - 16 x 2" Lg.	(4)	-	-	-	-	U30-29	U30-29		
9	Pipe Plug - 1/4" NPT	(3)	-	-	-	-	U78-57CT	U78-57CT		
9A	Drain Plug - 1/4" NPT	(1)	-	-	-	-	U78-941ZPV	U78-941ZPV		
8	Capscrew - 3/8 - 16 x 1-1/2" Lg.	2	U30-76ZP	U30-76ZP	U30-76ZP	U30-76ZP	-	-		
8A	Capscrew - 3/8 - 16 x 1-1/4" Lg.	2	U30-75ZP	U30-75ZP	U30-75ZP	U30-75ZP	-	-		
9	Pipe Plug - 1/4" NPT	3	U78-57CT	U78-57CT	U78-57CT	U78-57CT	-	-		
9A	Drain Plug - 1/4" NPT	1	U78-941ZPV	U78-941ZPV	U78-941ZPV	U78-941ZPV	-	-		
†10	Gasket - Volute	1	N20-26	N20-26	N20-26	N20-26	C20-21	C20-21		
11	Nuts - 3/8 - 16 Hex	4	-	-	-	-	U36-38ZP	U36-38ZP		
12	Base	1	J104-9A	J104-9A	J104-9A	J104-9A	J104-9A	J104-9A		
12A	Motor Pad	1	C35-5	C35-5	C35-5	C35-5	C35-5	C35-5		

* For repair or service to motors, always give the motor Model Number and any other data found on the Motor Model Plate.

† Included in Seal & Gasket Kit.

REPAIR PARTS LIST – MEDIUM HEAD – BRASS IMPELLER

Key No.	Part Description	No. Used	MOTOR AND HORSEPOWER							
			CB1MPS		CB1 ¹ / ₄ XPS			CB1 ¹ / ₂ XPS		
			1/2 HP S39503 S39504	3/4 HP S39505 S39506	1 HP S39507 S39508	1-1/2 HP S39509 S39510	2 HP S39511 S39512	2-1/2 HP S39513 S39514		
1*	Motor - 115/230V, 60 Cycle, Single Phase	1	J218-582APKG	J218-590PKG	J218-596PKG	J218-601PKG	J218-883APKG	-	-	
1*	Motor - 230/460V, 60 Cycle, Three Phase	1	AP100CL	AP100DL	AP100EL	AP100FL	AP100GL	AP100G5L	-	
†2	Water Slinger	1	17351-0009	17351-0009	17351-0009	17351-0009	17351-0009	17351-0009	-	
3	Seal Plate	1	N3-8	N3-8	N3-8	C3-52	C3-52	C3-52	-	
†4	Shaft Seal	1	U109-6A	U109-6A	U109-6A	U109-6A	U109-6A	U109-6A	-	
5	Impeller - Single Phase	1	J105-42MA	J105-42LA	J105-42NA	C105-79B	C105-73BA	C105-80BA	-	
5	Impeller - Three Phase	1	J105-42MA	J105-42LA	J105-42NA	C105-79BA	C105-73BA	C105-80BA	-	
5A	Impeller Screw - Single Phase	1	-	-	-	-	C30-14SS	C30-14SS	-	
5A	Impeller Screw - Three Phase	1	C30-6SS	C30-6SS	C30-6SS	C30-14SS	C30-14SS	C30-14SS	-	
6	Volute Assembly - Complete	1	-	-	-	C201-123	C201-123	C201-123B	-	
6	Volute Assembly - w/Wear Ring	1	C101-122E	C101-122E	C101-122	-	-	-	-	
7	Wear Ring (only)	(1)	N23-27	N23-27	N23-27	-	-	-	-	
8	Studs - 3/8 - 16 x 2" Lg.	(4)	-	-	-	C23-19	C23-19	C23-19	-	
9	Pipe Plug - 1/4" NPT	(3)	-	-	-	U30-29	U30-29	U30-29	-	
9A	Drain Plug - 1/4" NPT	(1)	-	-	-	U78-57CT	U78-57CT	U78-57CT	-	
8	Capscrew - 3/8 - 16 x 1-1/2" Lg.	2	U30-76ZP	U30-76ZP	U30-76ZP	-	-	-	-	
8A	Capscrew - 3/8 - 16 x 1-1/4" Lg.	2	U30-75ZP	U30-75ZP	U30-75ZP	-	-	-	-	
9	Pipe Plug - 1/4" NPT	3	U78-57CT	U78-57CT	U78-57CT	-	-	-	-	
9A	Drain Plug - 1/4" NPT	1	U78-941ZPV	U78-941ZPV	U78-941ZPV	-	-	-	-	
†10	Gasket - Volute	1	N20-26	N20-26	N20-26	C20-21	C20-21	C20-21	-	
11	Nuts - 3/8 - 16 Hex	4	-	-	-	U36-38ZP	U36-38ZP	U36-38C	-	
12	Base	1	J104-9A	J104-9A	J104-9A	J104-9A	J104-9A	J104-9A	-	
12A	Motor Pad	1	C35-5	C35-5	C35-5	C35-5	C35-5	C35-5	-	

* For repair or service to motors, always give the motor Model Number and any other data found on the Motor Model Plate.

† Included in Seal & Gasket Kit.

REPAIR PARTS LIST – HIGH HEAD – NORYL® IMPELLER

Key No.	Part Description	No. Used	MOTOR AND HORSEPOWER							
			CP1XPHS							
			1/2 HP	3/4 HP	1 HP	1-1/2 HP	2 HP	CP1 1/4 TPHS	CP1 1/2 TPHS	
1*	Motor - 115/230V, 60 Cycle, Single Phase	1	J218-582APKG	J218-590PKG	J218-596PKG	J218-601PKG	J218-883APKG	J218-628APKG		
1*	Motor - 230/460V, 60 Cycle, Three Phase	1	AP100CL	AP100DL	AP100EL	AP100FL	AP100GL	AP100G5L		
†2	Water Slinger	1	17351-0009	17351-0009	17351-0009	17351-0009	17351-0009	17351-0009		
3	Seal Plate	1	C3-178	C3-178	C3-178	C3-178	C3-181	C3-181		
†4	Shaft Seal	1	U109-6A	U109-6A	U109-6A	U109-6A	U109-93SS	U109-93SS		
5	Impeller - Single Phase	1	C105-92PN	C105-92PM	C105-92PL	C105-92PB	C105-214PCA	C105-214PA		
5	Impeller - Three Phase	1	C105-92PNA	C105-92PMA	C105-92PLA	C105-92PBA	C105-214PCA	C105-214PA		
5A	Impeller Screw - Single Phase	1	-	-	-	-	C30-14SS	C30-14SS		
5A	Impeller Screw - Three Phase	1	C30-14SS	C30-14SS	C30-14SS	C30-14SS	C30-14SS	C30-14SS		
6	Volute Assembly - Complete	1	C101-281E	C101-281E	C101-281E	C101-281E	C101-264E	C101-264E		
7	Wear Ring (only)	(1)	C23-27	C23-27	C23-27	C23-27	C23-19	C23-19		
8	Capscrew - 3/8 - 16 x 1"	2	-	-	-	-	U30-74ZP	U30-99SS		
8A	Capscrew - 3/8 - 16 x 1-1/4"	2	U30-75ZP	U30-75ZP	U30-75ZP	U30-75ZP	U30-75ZP	U30-104ZP		
8	Capscrew - 3/8 - 16 x 1-1/2"	2	U30-76ZP	U30-76ZP	U30-76ZP	U30-76ZP	-	-		
9	Pipe Plug - 1/4" NPT	(2)	U78-57CT	U78-57CT	U78-57CT	U78-57CT	U78-57CT	U78-57CT		
9A	Drain Plug - 1/4" NPT	(1)	U78-941ZPV	U78-941ZPV	U78-941ZPV	U78-941ZPV	U78-941ZPV	U78-941ZPV		
†10	Gasket - Volute	1	C20-121	C20-121	C20-121	C20-121	C20-122	C20-122		
12	Base	1	J104-9F	J104-9F	J104-9F	J104-9F	J104-9F	J4-9A		
12A	Motor Pad	1	C35-5	C35-5	C35-5	C35-5	C35-5	C35-5		

* For repair or service to motors, always give the motor Model Number and any other data found on the Motor Model Plate.

† Included in Seal & Gasket Kit.

REPAIR PARTS LIST – HIGH HEAD – BRASS IMPELLER

Key No.	Part Description	No. Used	MOTOR AND HORSEPOWER							
			CB1XPHS				CB1¼TPHS			
			1/2 HP	3/4 HP	1 HP	1-1/2 HP	2 HP	2-1/2 HP		
1*	Motor - 115/230V, 60 Cycle, Single Phase	1	J218-582APKG	J218-590PKG	J218-596PKG	J218-601PKG	J218-883APKG	J218-628APKG		
1*	Motor - 230/460V, 60 Cycle, Three Phase	1	AP100CL	AP100DL	AP100EL	AP100FL	AP100GL	AP100G5L		
†2	Water Slinger	1	17351-0009	17351-0009	17351-0009	17351-0009	17351-0009	17351-0009		
3	Seal Plate	1	C3-178	C3-178	C3-178	C3-178	C3-181	C3-181		
†4	Shaft Seal	1	U109-6A	U109-6A	U109-6A	U109-6A	U109-6A	U109-6A		
5	Impeller - Single Phase	1	C5-256BA	C5-256BAA	C5-254B	C5-254BB	C5-257BB	C5-257B		
5	Impeller - Three Phase	1	C5-256BA	C5-256BAA	C5-254BA	C5-254BC	C5-257BB	C5-257B		
5A	Impeller Screw - Single Phase	1	-	-	-	-	C30-14SS	C30-14SS		
5A	Impeller Screw - Three Phase	1	C30-14SS	C30-14SS	C30-14SS	C30-14SS	C30-14SS	C30-14SS		
6	Volute Assembly - Complete	1	C101-281E	C101-281E	C101-281E	C101-281E	C101-264E	C101-264EB		
7	Wear Ring (only)	(1)	C23-27	C23-27	C23-27	C23-27	C23-19	C23-19		
8	Capscrew - 3/8 - 16 x 1"	2	-	-	-	-	U30-74ZP	U30-74ZP		
8A	Capscrew - 3/8 - 16 x 1-1/4"	2	U30-75ZP	U30-75ZP	U30-75ZP	U30-75ZP	U30-75ZP	U30-75ZP		
8	Capscrew - 3/8 - 16 x 1-1/2"	2	U30-76ZP	U30-76ZP	U30-76ZP	U30-76ZP	U30-76ZP	U30-76ZP		
9	Pipe Plug - 1/4" NPT	(3)	U78-57CT	U78-57CT	U78-57CT	U78-57CT	U78-57CT	U78-57CT		
9A	Drain Plug - 1/4" NPT	(1)	U78-941ZPV	U78-941ZPV	U78-941ZPV	U78-941ZPV	U78-941ZPV	U78-941ZPV		
†10	Gasket - Volute	1	C20-121	C20-121	C20-121	C20-121	C20-122	C20-122		
12	Base	1	J104-9A	J104-9A	J104-9A	J104-9A	J104-9A	J104-9A		
12A	Motor Pad	1	C35-5	C35-5	C35-5	C35-5	C35-5	C35-5		

* For repair or service to motors, always give the motor Model Number and any other data found on the Motor Model Plate.

† Included in Seal & Gasket Kit.

TROUBLE - CAUSES AND REMEDY

TROUBLE AND CAUSE	REMEDY
<p>FAILURE TO PUMP</p> <p>1. Pump not properly primed.</p>	<p>1. Make sure pump casing and suction line are full of water. See priming instructions.</p>
<p>REDUCED CAPACITY AND/OR HEAD</p> <p>1. Air pockets or leaks in suction line. 2. Clogged impeller.</p>	<p>1. Check suction piping. 2. Remove and clean.</p>
<p>PUMP LOSES PRIME</p> <p>1. Air leaks in suction line. 2. Excessive suction lift and operating too near shut-off point. 3. Water level drops while pumping, uncovering suction piping.</p>	<p>1. Check suction piping 2. Move pump nearer to water level. 3. Check water supply. Add length of pipe to suction to keep submerged end under water.</p>
<p>MECHANICAL TROUBLES AND NOISE</p> <p>1. Bent shaft and/or damaged bearings. 2. Suction and/or discharge piping not properly supported and anchored.</p>	<p>1. Take motor to authorized motor repair shop. 2. See that all piping is supported to relieve strain on pump assembly.</p>

