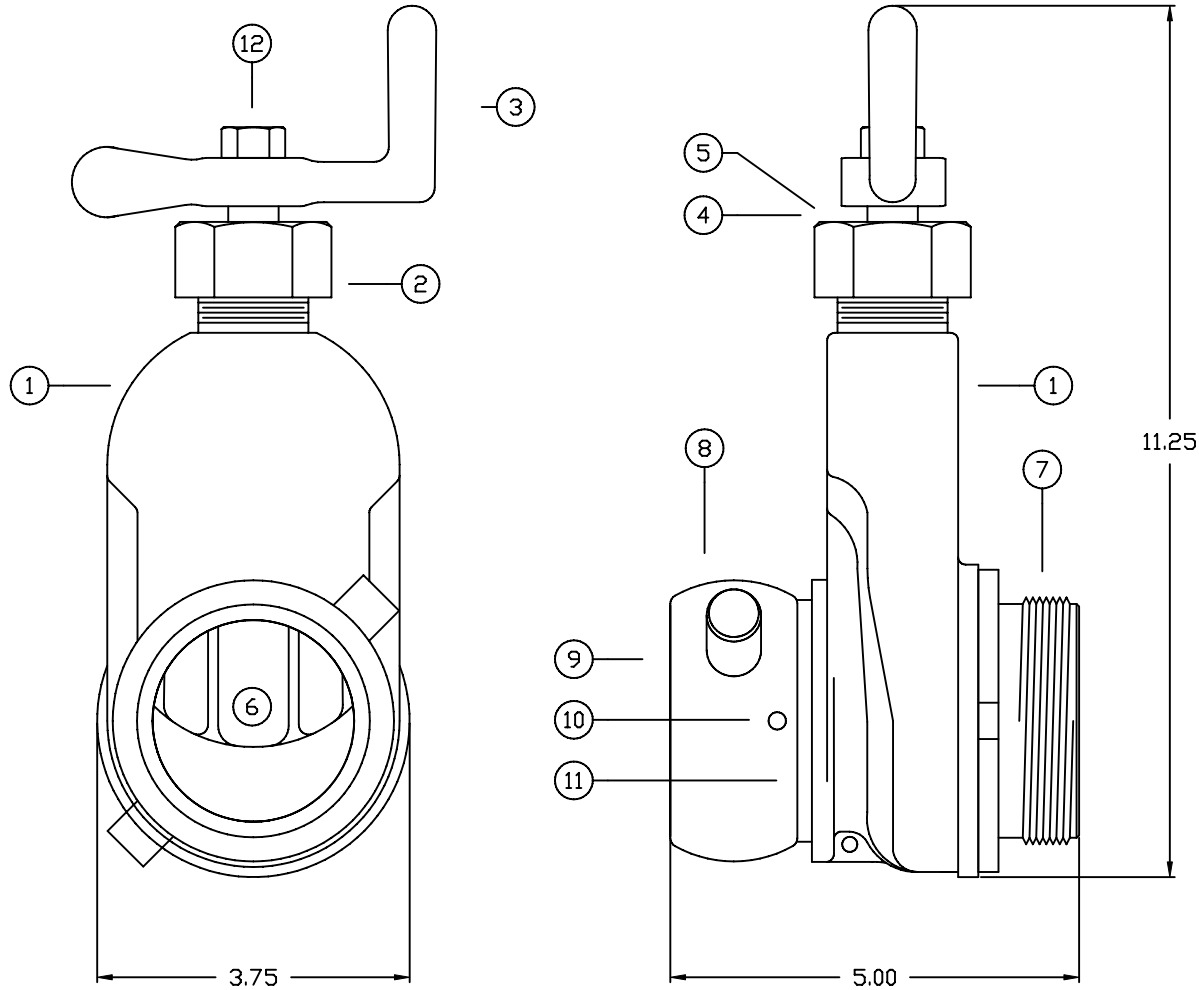


PRODUCT DATA SHEET



NO	DESCRIPTION	MATERIAL
1	MAIN BODY	BRONZE
2	STEM PACKING NUT	BRASS
3	HANDLE	ALUMINUM
4	STEM	BRASS
5	STEM O-RING	BUNA-N
6	GATE	BRONZE
7	2-1/2 MNPT	BRASS
8	2-1/2 FNST	BRASS
9	FLAT GASKET	NEOPRENE
10	RETAINING SCREW	BRASS
11	BALL BEARINGS	BRASS
12	STEM NUT	STEEL

The Hydrant Swivel Gate Valve is used to restrict outflow of a hydrant in frequent use.

It can also be used to throttle a hydrant instead of using the hydrant main valve to throttle, thereby preventing damage to the main valve.

Intended for use on standpipes, fire pumps and hydrants.

THIS DRAWING AND ALL INFORMATION THEREON IS THE PROPERTY OF THE POLLARDWATER.COM COMPANY AND SHALL NOT BE USED, COPIED, OR REPRODUCED WITHOUT WRITTEN CONSENT. ALL DESIGN AND INVENTION RIGHTS ARE RESERVED.

REV	REVISION DESCRIPTION		DATE			
PollardWater.com 200 Atlantic Avenue • New Hyde Park, NY 11040						
TITLE P67596 SWIVEL GATE VALVE						
SIZE	DRAFTSMAN	DATE	APPROVAL	DATE	DRAWING NO.	REV
B	DMB	11/09/07			JGPS0053	
SCALE	NTS	SUPERSEDES		SHEET 1 OF 1		