



User Instruction Manual Tripod Anchorage Connectors

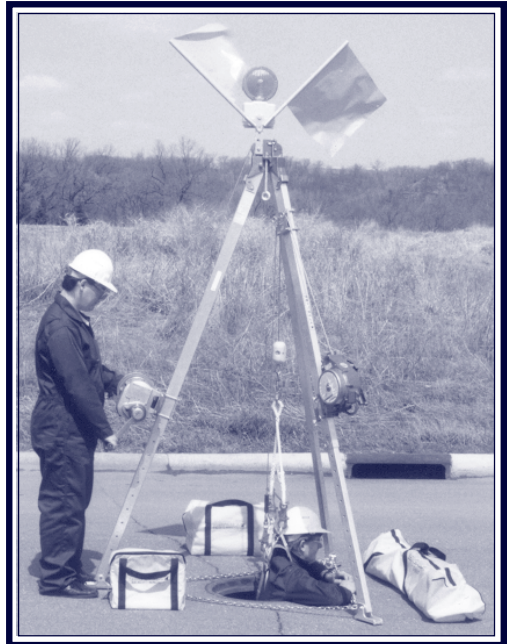
This manual is intended to meet the Manufacturer's Instructions as required by ANSI Z359.1 and ANSI A10.14, and should be used as part of an employee training program as required by OSHA.

WARNING: This product is part of a personal fall arrest, work positioning, personnel riding, material handling, or rescue and evacuation system. The user must read and follow the manufacturer's instructions for each component or part of the complete system. These instructions must be provided to the user of this equipment. The user must read and understand these instructions or have them explained to them before using this equipment. Manufacturer's instructions must be followed for proper use and maintenance of this product. Alterations or misuse of this product or failure to follow instructions may result in serious injury or death.

IMPORTANT: If you have any questions on the use, care, application, or suitability for use of this safety equipment, contact DBI/SALA immediately.

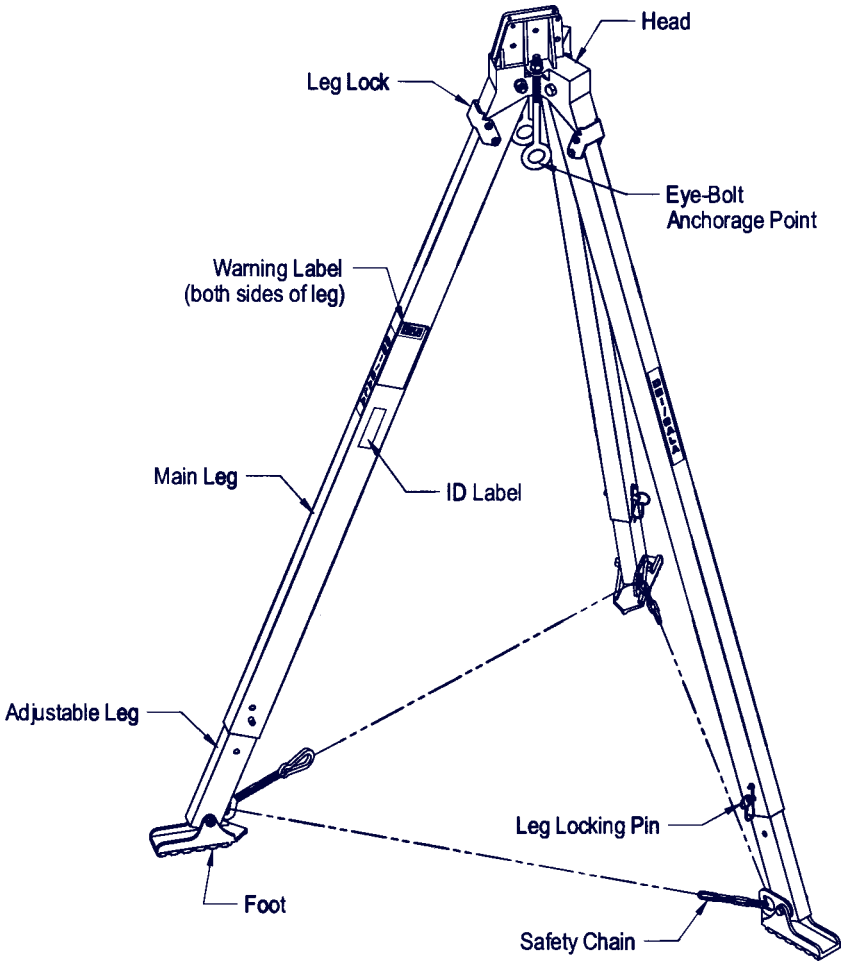
IMPORTANT: Before using this equipment, record the product identification information found on the ID label of the tripod on the inspection and maintenance log in section 9.0 of this manual.

* **If additional information on this product is necessary, supplemental instructions will be included.**



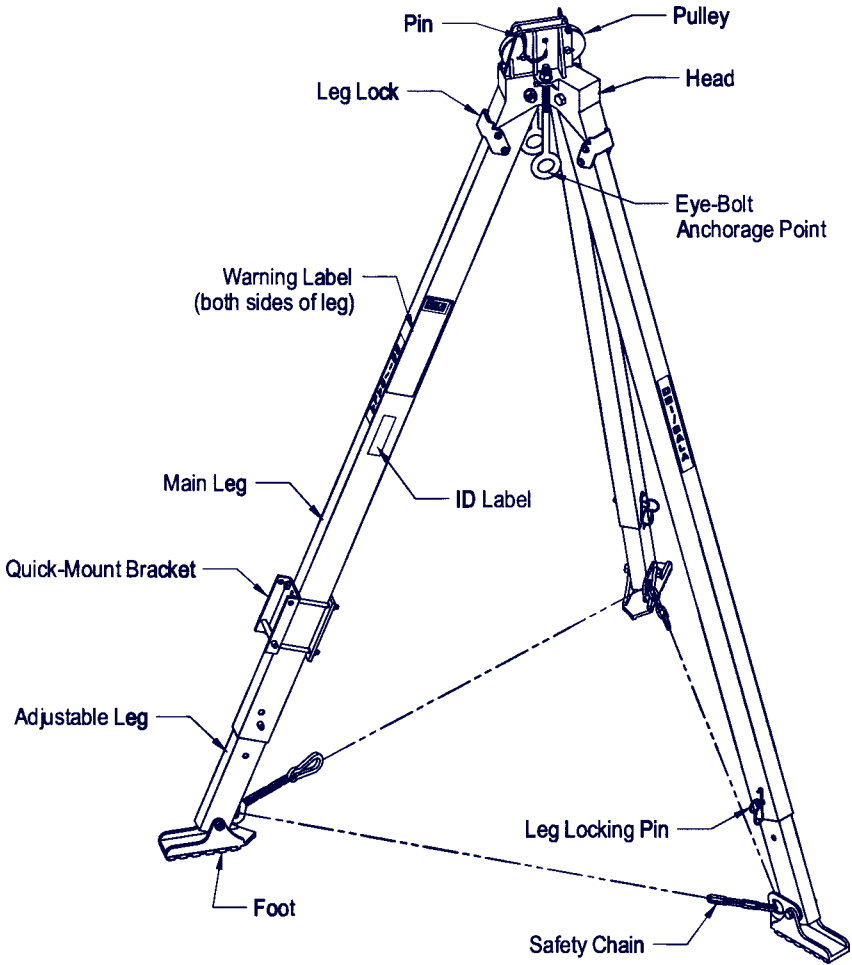
The 8000000 and 8000010 Tripods are Classified by Underwriters Laboratories Inc. as to the 350 lb. load capacity only.

Figure 1



8001717 and 8001718 Parts Identification

Figure 2



8000000 and 8000010 Parts Identification

DESCRIPTIONS

8001717 Tripod: 7 ft. maximum height to eye bolt, 5 ft. minimum. Aluminum construction with adjustable locking legs and safety chains. Fitted rubber safety shoes with spiked edges.

8001718 Tripod: 9 ft. maximum height to eye bolt, 7 ft. minimum. Aluminum construction with adjustable locking legs and safety chains. Fitted rubber safety shoes with spiked edges.

8000000 Tripod: 7 ft. maximum height to eye bolt, 5 ft. minimum. Aluminum construction with adjustable locking legs and safety chains. Fitted rubber safety shoes with spiked edges. Includes head mount pulley assembly and mounting bracket for DBI/SALA Salalift® Winch or Self Retracting Lifeline.

8000010 Tripod: 9 ft. maximum height to eye bolt, 7 ft. minimum. Aluminum construction with adjustable locking legs and safety chains. Fitted rubber safety shoes with spiked edges. Includes head mount pulley assembly and mounting bracket for DBI/SALA Salalift® Winch or Self Retracting Lifeline.

IMPORTANT: *For special (custom) versions of this product, follow the instructions herein. If enclosed, see attached supplement for additional instructions to be followed when using a custom product.*

1.0 APPLICATIONS

- 1.1 PURPOSE:** DBI/SALA tripods are to be used as part of a work positioning, personnel riding, personal fall arrest, material handling, or rescue and evacuation system. The tripod is a support structure or anchorage for these systems.
- 1.2 LIMITATIONS:** The following application limitations must be considered before using this product. Failure to observe product limitations could result in serious injury or death.
 - A. INSTALLATION:** The tripod must be properly installed in accordance with the requirements stated in section 3.0 of this manual.
 - B. CAPACITY:** The maximum working load for this product is 350 lbs. (160 kg).
 - C. PERSONAL FALL ARREST SYSTEMS:** Personal fall arrest systems used in combination with the tripod must meet applicable state and federal regulations and the requirements in section 3.3.

- D. PHYSICAL AND ENVIRONMENTAL HAZARDS:** Use of this equipment in areas containing physical or environmental hazards may require that additional precautions be taken to reduce the possibility of damage to this equipment or injury to the user. Hazards may include, but are not limited to; high heat (welding metal cutting); strong or caustic chemicals; corrosive environments (seawater); high voltage power lines; explosive or toxic gases; moving machinery; or sharp edges. Contact DBI/SALA if you have any questions about the application of this equipment in areas where physical or environmental hazards are present.
- E. TRAINING:** This equipment is to be installed and used by persons who have been trained in its correct application and use.

- 1.3** Refer to national standards, including; ANSI Z359.1, ANSI A10.14, ANSI Z117.1, and applicable local, state, and federal (OSHA) requirements, including 29 CFR 1910.146, for more information on the application of this and associated equipment.

2.0 SYSTEM REQUIREMENTS

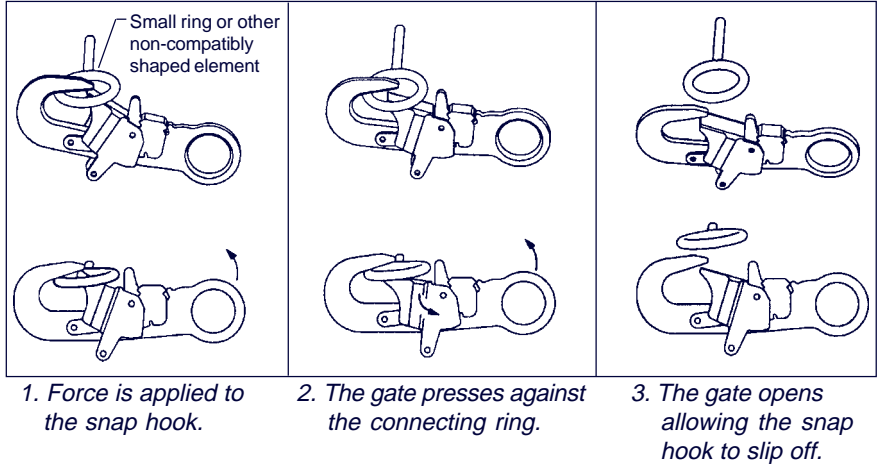
- 2.1 COMPATIBILITY OF COMPONENTS:** DBI/SALA equipment is designed for use with DBI/SALA approved components and subsystems only. Substitutions or replacements made with non-approved components or subsystems may jeopardize compatibility of equipment and may effect the safety and reliability of the complete system.
- 2.2 COMPATIBILITY OF CONNECTORS:** Connectors are considered to be compatible with connecting elements when they have been designed to work together in such a way that their sizes and shapes do not cause their gate mechanisms to inadvertently open regardless of how they become oriented. Contact DBI/SALA if you have any questions about compatibility.

Connectors (hooks, carabiners, and D-rings) must be capable of supporting at least 5,000 lbs. (22kN). Connectors must be compatible with the anchorage or other system components. Do not use equipment that is not compatible. Non-compatible connectors may unintentionally disengage. See Figure 3. Connectors must be compatible in size, shape, and strength. Self locking snap hooks and carabiners are required by ANSI Z359.1 and OSHA.

- 2.3 MAKING CONNECTIONS:** Only use self-locking snap hooks and carabiners with this equipment. Only use connectors that are suitable to each application. Ensure all connections are compatible in size,

Figure 3 - Unintentional Disengagement (Roll-out)

If the connecting element that a snap hook (shown) or carabiner attaches to is undersized or irregular in shape, a situation could occur where the connecting element applies a force to the gate of the snap hook or carabiner. This force may cause the gate (of either a self-locking or a non-locking snap hook) to open, allowing the snap hook or carabiner to disengage from the connecting point.



shape and strength. Do not use equipment that is not compatible. Ensure all connectors are fully closed and locked.

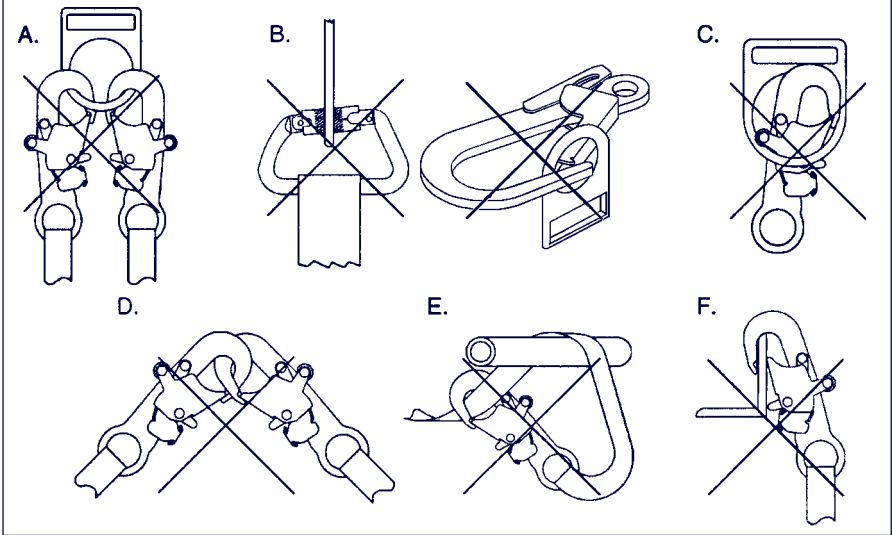
DBI/SALA connectors (snap hooks and carabiners) are designed to be used only as specified in each product's user's instructions. See Figure 4 for inappropriate connections. DBI/SALA snap hooks and carabiners should not be connected:

- A. To a D-ring to which another connector is attached.
- B. In a manner that would result in a load on the gate.

NOTE: Large throat opening snap hooks should not be connected to standard size D-rings or similar objects which will result in a load on the gate if the hook or D-ring twists or rotates. Large throat snap hooks are designed for use on fixed structural elements such as rebar or cross members that are not shaped in a way that can capture the gate of the hook.

- C. In a false engagement, where features that protrude from the snap hook or carabiner catch on the anchor and without visual confirmation seems to be fully engaged to the anchor point.
- D. To each other.
- E. Directly to webbing or rope lanyard or tie-back (unless the

Figure 4 - Inappropriate Connections



manufacturer's instructions for both the lanyard and connector specifically allows such a connection).

- F. To any object which is shaped or dimensioned such that the snap hook or carabiner will not close and lock, or that roll-out could occur.

2.4 STRUCTURAL STRENGTH: The structure (mounting surface) onto which the tripod is erected (floor, tank top, roof, etc.) must meet minimum strengths given below for the applications selected:

Fall Arrest: From ANSI Z359.1; "The structure (mounting surface) selected for personal fall arrest systems (PFAS) shall have a strength capable of sustaining static loads in the direction(s) permitted by the PFAS when in use of at least (A) 3,600 lbs. (16kN) when certification exists (see ANSI Z359.1 for certification definition), or (B) 5,000 lbs. (22.2kN) in absence of certification. When more than one tripod is installed on a structure for fall arrest, and the systems will be used simultaneously, the strengths set forth in (A) and (B) above shall be multiplied by the number of systems attached to the structure." From OSHA 1926.500 and 1910.66; "Anchorages (mounting surface) used for attachment of personal fall arrest systems (PFAS) shall be independent of any anchorage being used to support or suspend platforms, and capable of supporting at least 5,000 lbs. (22.2kN) per user attached, or be designed, installed, and used as part of a complete PFAS which maintains a safety factor of at least two and is under the supervision of a qualified person."

Work Positioning: The structure (mounting surface) selected for work positioning applications must sustain a static load of at least 5,000 lbs. applied in the directions permitted by the work positioning system when in use. Each tripod installation must independently sustain this load.

Personnel Riding: The structure (mounting surface) selected for personnel riding applications must sustain a static load of at least 2,500 lbs. applied in the directions permitted by the personnel riding system when in use. Each tripod installation must independently sustain this load.

Material Handling: The structure (mounting surface) selected for material handling applications must sustain a static load of at least 2,500 lbs. applied in the directions permitted by the material handling system when in use. Each tripod installation must independently sustain this load.

Rescue: The structure (mounting surface) selected for rescue applications must be capable of sustaining a static load of at least 2,500 lbs. applied in the directions permitted by the rescue system when in use. Each tripod installation must independently sustain this load.

3.0 OPERATION AND USE

WARNING: *Do not alter or intentionally misuse this equipment. Consult DBI/SALA when using this equipment in combination with components or subsystems other than those described in this manual. Some subsystem and component combinations may interfere with the operation of this equipment. Use caution when using this equipment around moving machinery, electrical hazards, chemical hazards, and sharp edges.*

WARNING: *Consult your doctor if there is reason to doubt your fitness to safely absorb the shock from a fall arrest. Age and fitness seriously affect a worker's ability to withstand falls. Pregnant women or minors must not use the DBI/SALA tripods except for emergency situations.*

- 3.1 BEFORE EACH USE:** Before each use of this equipment carefully inspect it to ensure that it is in good working condition. Check for worn or damaged parts. Ensure all parts (nuts, bolts, etc.) are present and secure. Check legs to ensure they are straight, free of cracks, dents, etc. Ensure pulleys rotate freely and entire system is free of corrosion. Refer to section 5.0 for further inspection details. Do not use if inspection reveals an unsafe condition.

3.2 PLANNING: Plan your work positioning, personnel riding, personal fall arrest, material handling, or rescue and evacuation system before starting your work. Consider all factors that affect your safety at any time during use. Some important points to consider when planning your system are:

- A. HAZARD EVALUATION:** An evaluation of job site hazards is necessary prior to starting work. Consult applicable OSHA and industry standards for guidelines and regulatory requirements on issues such as confined space entry, personal fall arrest systems, single point adjustable suspended scaffolds, etc.
- B. WORK SITE GEOMETRY:** The installation and use of the tripod must be consistent with the geometric requirements given in section 3.4 or 3.5. When suspending working lines from the tripod check for obstructions or sharp edges in the work path. Avoid working where the user may swing and hit an object or where lines may cross or tangle with that of another worker in the area.
- C. SECONDARY OR BACK-UP FALL ARREST SYSTEM:** When using the tripod as a support for suspending a worker at a work level, or for personnel riding applications, a secondary or back-up fall arrest system is required. See OSHA 29 CFR 1910.28 and 1926.451. The tripod has provisions for connection of a secondary or back-up personal fall arrest system. See sections 3.3 and 3.5.
- D. RESCUE:** In the event of an accident with injuries or other medical emergency, it is critical that a means of dealing with such a situation has been planned in advance. Response time often plays an important role in the survival of an injured worker. Users of this equipment must be trained in emergency procedures.

3.3 REQUIREMENTS FOR PERSONAL FALL ARREST SYSTEMS:

Personal fall arrest systems used with this tripod must meet applicable OSHA requirements. When in use, the PFAS should be rigged to minimize any potential free fall and never allow a free fall greater than six feet. It is recommended that the PFAS used with this equipment include a full body harness as the body support component. PFAS's that incorporate full body harnesses must maintain fall arrest forces below 1,800 lbs. and arrest the fall within 42 inches. Body belts, unless incorporated into a full body harness, not recommended for use with this equipment. A typical PFAS includes a full body harness, a connecting subsystem or component (self retracting lifeline or a lifeline and rope grab) and the connectors to couple the system together.

WARNING: Follow the manufacturer's instructions for the personal fall arrest equipment selected for use with the tripod.

IMPORTANT: For free fall and rescue applications, body belts are not recommended for use. Body belts increase the risk of injury during fall arrest in comparison to a full body harness and drastically reduce the tolerable suspension time compared to a full body harness. Limited suspension time, increased risk of injury, and the potential for improperly wearing a body belt, may result in added danger to the user. DBI/SALA recommends using a full body harness for fall arrest and rescue applications.

3.4 INSTALLATION REQUIREMENTS OF TRIPOD

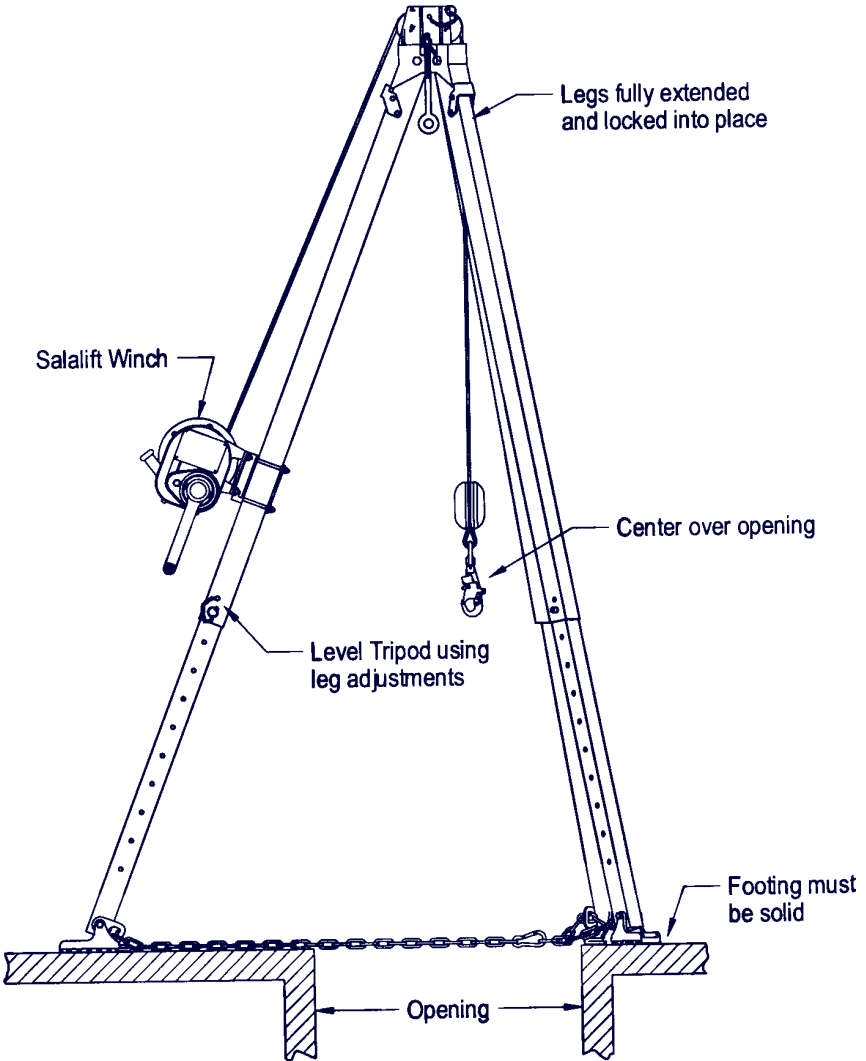
- A. LOAD REQUIREMENTS:** Depending on the application, the strength requirements for the supporting structure onto which the tripod is erected vary. See section 2.4 for application types and the supporting structure load requirements. If an installation will be used for more than one type of application, always select the loading for the application with the greater load requirements.
- B. GEOMETRIC REQUIREMENTS:** The tripod must be mounted where it can be leveled using the leg adjustments. The footing must be solid under each leg, and support the intended loading. Position the tripod such that the lifeline will be directly over the intended work area when installed. Do not position the tripod where the worker will have to swing under the tripod to reach the work area. Avoid positioning the tripod where the working line may abrade against sharp edges. See Figure 5.

WARNING: Never allow the working line to extend outside the legs of the tripod. Tipping of the tripod could occur.

- C. TO ERECT TRIPOD:** The tripod is shipped with the legs set at full retraction. Erect as follows, see Figure 5: 1) Lay the tripod on the working surface; 2) Adjust legs to required working height; 3) Tilt the tripod into an upright position; 4) Fully spread the legs, ensure legs are against bearing surface on head. The legs will automatically lock in place. To collapse tripod, pull leg down to disengage leg lock and swing leg in; 5) Position tripod over opening so working line will be located approximately in the center of the opening. Ensure footing is solid under each leg and can support the intended loads. Level the tripod by adjusting the leg height; 6) Adjust the leg chain by removing excess slack.

WARNING: Except for emergency situations where leg chains may interfere with rescue, the tripod must never be used without the leg chains in place.

Figure 5

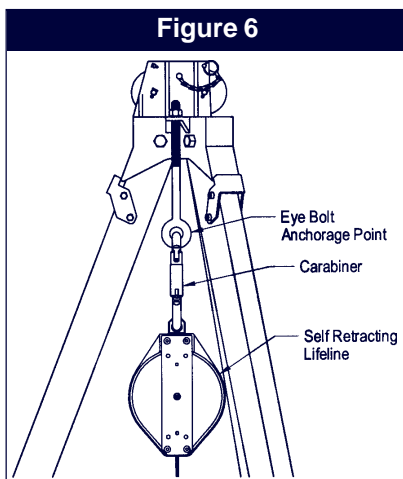


IMPORTANT: The tripod must be positioned so the working line will be directly over the intended work area. It must be positioned to ensure a safe working area for the operator.

WARNING: Do not use the tripod if one or more of the legs are not locked into the erect position (completely spread out).

3.5 CONNECTING EQUIPMENT TO THE TRIPOD: The tripod has been designed for multi-purpose applications that may involve the use of one or more systems attached to the tripod. The following details the connection of equipment to DBI/SALA tripods. See associated equipment instructions for further information:

A. EYE-BOLT: A component (self retracting lifeline, rope grab/lifeline system) can be attached to either one of the eye-bolt anchorage points. See Figure 6. Connect equipment to the eye bolt anchorage point by using a clevis and pin (minimum breaking strength of 5,000 lbs.), self locking carabiners or self locking snap hooks.



B. LEG MOUNT PULLEY:

Figures 7 and 8 shows the optional leg mount pulley model 8003238. This pulley is used when more than one device is mounted to the tripod leg requiring a directional pulley. The leg mount pulley will accommodate up to 1/4 inch diameter line. Install the leg mount pulley on the desired tripod leg as shown in Figure 7. Position the leg mount pulley directly under the leg lock near the top of the tripod. The pulley may be positioned on either side of the tripod leg. It may be necessary to remove one of the eye bolts to gain clearance for the lifeline. Tighten the clamp plate bolts to 15 ft.-lbs. Do not use or install more than one system on a single tripod leg.

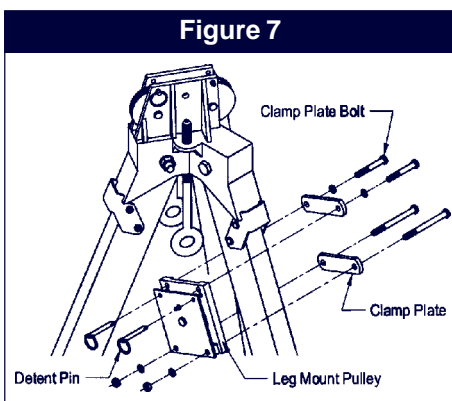
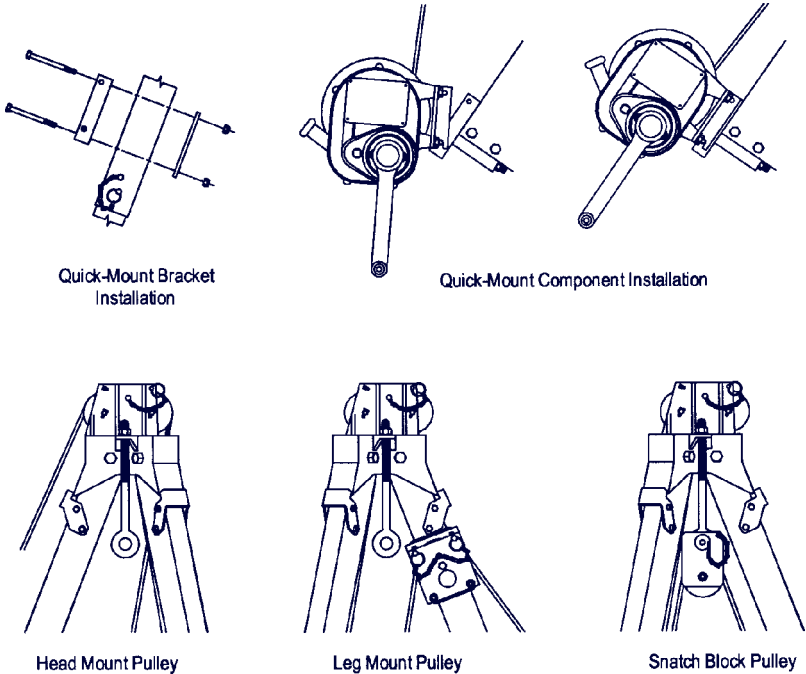


Figure 8



- C. QUICK-MOUNT BRACKET:** Figure 8 shows the tripod quick-mount leg bracket 8005048 (optional on 8001717 and 8001718 models). To install the quick-mount bracket to the tripod leg, assemble as shown in Figure 8. Adjust bracket to desired position on the leg and tighten bolts to 15 ft.-lbs. Do not over tighten. Do not install quick-mount bracket onto the lower (telescoping) leg. The quick-mount bracket must be used for connection of the Salalift® winch (8101000 series), the Work Winch (8103000 series) and for leg mounting of DBI/SALA Self Retracting Lifelines.
- D. HEAD MOUNT PULLEYS:** The 8000000 and 8000010 model tripods come equipped with head mounted pulleys. These pulleys should be used for mounting the line of the primary use system over the tripod head when used in the leg mounted position. The head mount pulleys will accommodate up to a 1/4 inch diameter line. See Figure 8, 9, and 10.
- E. SNATCH BLOCK PULLEY:** Figures 8 and 10 show the optional snatch block pulley assembly model 8003205. The snatch block is used when more than one device is mounted to the tripod requiring a directional pulley. The snatch block is attached to one of the unused eye-bolts and will accommodate up to 1/4 inch diameter line. Do not use the Salalift winch with the snatch block

pulley because of possible cable rubbing on the tripod leg, and uneven winding of the cable onto the winch drum.

- F. SALALIFT® WINCH:** When using the Salalift winch (8101000 series) with the tripod, the winch must be mounted to the leg in-line with the head mount pulleys. Route the winch line over the head mount pulleys as instructed in the Salalift® winch user instruction manual. Do not use winch with snatch block pulley (see section 3.5.E).

WARNING: *Multiple systems may be attached to the tripod (primary support lifeline and back-up lifeline), but the tripod is for one person use only. Exception: Emergency rescue applications only. A maximum of one system can be attached to any one tripod leg. A maximum of two systems should be attached to one tripod, except back-up lifelines (fall arrest) which are limited to one system.*

IMPORTANT: *Knots must not be used for load-bearing end terminations (see ANSI Z359.1). Some knots reduce the strength of the lifeline by 50 percent or more.*

4.0 TRAINING

- 4.1** It is the responsibility of the user to assure they are familiar with these instructions, and are trained in the correct care and use of this equipment. User must also be aware of the operating characteristics, application limits, and the consequences of improper use of this equipment.

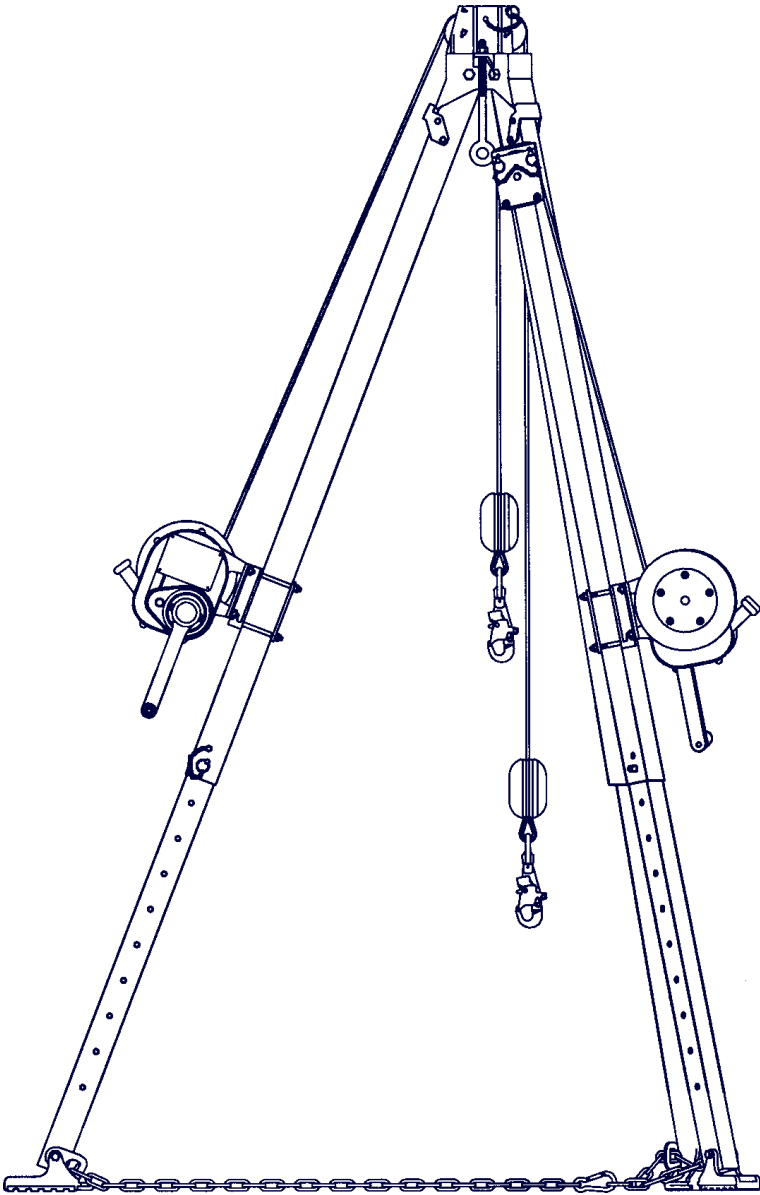
IMPORTANT: *Training must be conducted without exposing the trainee to a fall hazard. Training should be repeated on a periodic basis.*

5.0 INSPECTION

5.1 FREQUENCY:

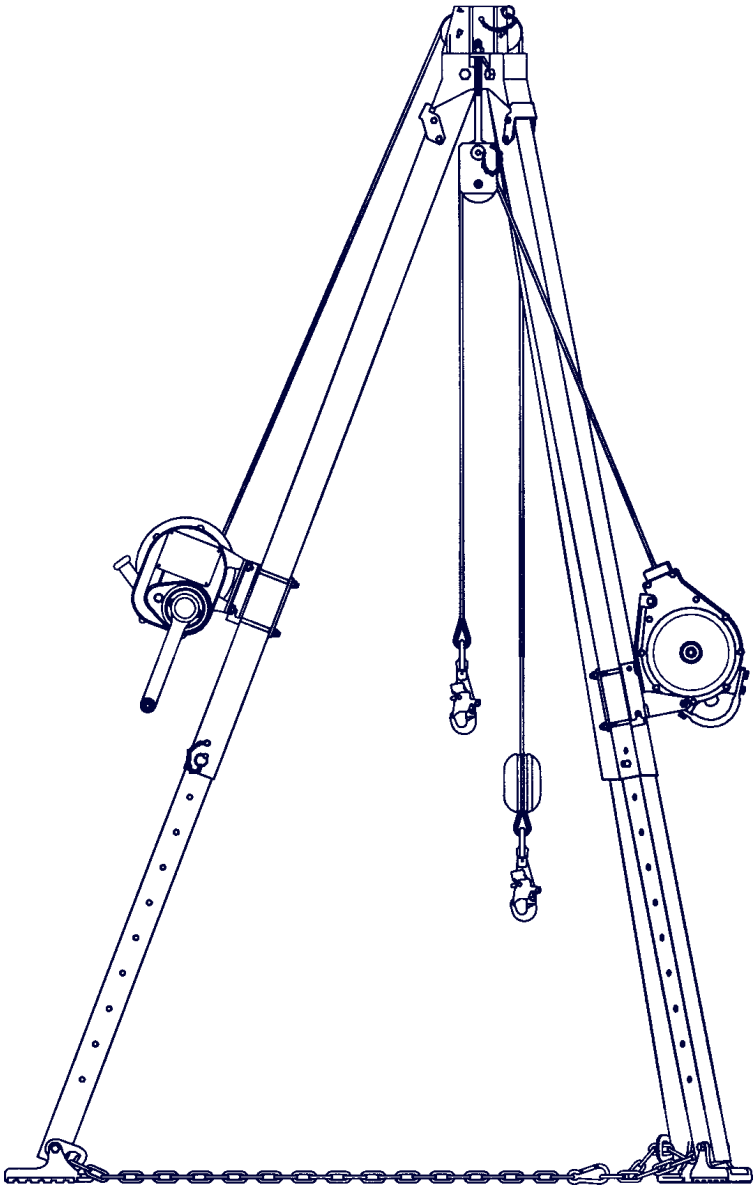
- **Before Each Use:** Visually inspect per steps listed in sections 5.2 and 5.3.
- **Monthly:** A formal inspection of the tripod should be done by a competent person other than the user. See sections 5.2 and 5.3 for guidelines. Record results in the inspection and maintenance log in section 9.0.
- **After Fall Arrest:** Inspect entire tripod and base per section 5.2.

Figure 9



Two Salalift® Winches Mounted to Tripod
Lifelines routed through Head Mount Pulley and Leg Mount Pulley

Figure 10



Salalift® Winch and Self Retracting Lifeline Mounted to Tripod
Lifelines routed through Head Mount Pulley and Snatch Block Pulley

WARNING: *If the tripod has been subjected to fall arrest or impact forces, it must be immediately removed from service and inspected. If the tripod fails to pass the inspection, do not use; the equipment must be destroyed or sent to DBI/SALA for possible repair.*

IMPORTANT: *Extreme working conditions (harsh environment, prolonged use, etc.) may require increasing the frequency of inspections.*

5.2 INSPECTION STEPS FOR TRIPOD

- Step 1.** All bolts and nuts must be securely attached. Check for missing, altered, or substituted bolts, nuts, locking detent pins or other parts. Inspect the tripod for signs of corrosion which may weaken or affect parts in their function.
 - Step 2.** Check each leg to see that it can be telescoped in and out freely. Inspect legs for straightness. Ensure legs lock into place when tripod is erect.
 - Step 3.** Check the feet on each leg; ensure they pivot and the rubber pad is in place.
 - Step 4.** Check leg chain and connections; Ensure they are tight and undamaged, chain must be free of defects and hook must be in place and work properly.
 - Step 5.** Check the head. Ensure the eye-bolt anchorage points are in place and are free from damage. Ensure the cable pulleys are clean and rotate freely (8000000 and 8000010 models only).
 - Step 6.** Inspect the labels. Ensure all labels are present and fully legible. See section 8.0.
 - Step 7.** Record the results of inspection in the inspection and maintenance log in section 9.0 of this manual.
 - Step 8.** Inspect each system component according to manufacturer's instructions.
- 5.3** If inspection or operation reveals a defective condition, remove the tripod from service immediately and contact an authorized service center for repair.

NOTE: *Only DBI/SALA or parties authorized in writing may make repairs to this equipment.*

6.0 MAINTENANCE, SERVICING, STORAGE

- 6.1** Periodically clean the exterior of the tripod using water and a mild detergent solution. Clean labels as required.
- 6.2** Replacement parts and additional maintenance and servicing procedures must be completed by a factory authorized service center. An authorization and a return number must be issued by DBI/SALA.
- 6.3** Clean and store the body support and associated system components according to separate instructions provided with that equipment.
- 6.4** Store this equipment in a cool, dry, clean environment out of direct sunlight. Avoid areas where chemical vapors may exist. Inspect after any period of extended storage.

7.0 SPECIFICATIONS

Model	Weight	Rated Working Load	Material
8001717	37 lbs.	350 lbs. for work positioning or personnel riding applications, 310 lbs. for fall arrest applications	Predominantly aluminum and zinc plated steel
8001718	46 lbs.		
8000000	47 lbs.		
8000010	56 lbs.		

Dimensions (see Figure 11)	7 ft. Models		9 ft. Models	
	Minimum Height inch (mm)	Maximum Height inch (mm)	Minimum Height inch (mm)	Maximum Height inch (mm)
Storage Length	70 (1,778)	----	102 (2,591)	----
*Hole diameter spanned "A"	23 (584)	32 (813)	33 (838)	44 (1,118)
Overall height "B"	68 (1,727)	93 (2,362)	95 (2,413)	120 (3,048)
Available lift height "C"	49 (1,245)	74 (1,880)	76 (1,930)	101 (2,565)
Height increments	3 (76)	----	3 (76)	----
Spread of legs "D" Inside of shoe	44 (1,118)	63 (1,600)	65 (1,651)	84 (2,134)
Spread of legs "E" Outside of shoe	58 (1,473)	77 (1,956)	79 (2,007)	99 (2,515)

See Figure 11.

- * Note: Tripods will span a larger opening; the leg chains will cross over a portion of the opening.
- These tripods meet ANSI Z359.1, ANSI A10.14, and OSHA requirements.
- The 8000000 and 8000010 are U.L. classified. See product label for details.

8.0 LABELING


8.1 The following labels must be present and fully legible:

▲ WARNING

Manufacturer's instructions supplied with this product at time of shipment must be followed for proper use, maintenance, and inspection. Alteration or misuse of this product, or failure to follow instructions may result in serious injury or death. Make only compatible connections.

INSPECTION: Before each use inspect tripod to determine if it is in good condition and working properly. At least monthly, tripod should be inspected by a competent person in accordance with the User Manual. Do not use if inspection reveals an unsafe or defective condition. Not user repairable.

USE: To erect tripod, pull leg downward as shown and swing leg fully outward. Check to see that lock has engaged. To collapse, pull leg downward and swing leg in. Adjust tripod height and level tripod head by adjusting telescopic lower leg(s). Tripod must be generally level and on solid footing for safe use. Adjust tripod leg chains to remove excess slack. To prevent tipping, load must remain inside chain perimeter. If required (See user manual) connect backup fall arrest system to eye bolt located under tripod head. See user manual for details on making connections. Do not allow fall arrest, rescue, or personal riding systems to abrade against sharp edges during use. Use caution applying this equipment near hazardous thermal, electrical, or chemical sources. Refer to User manual for additional information. 9504196



**Warning Label
Models 8001717
and 8001718**

DBI
SALA®

USA
3965 Pepin Avenue
Red Wing, MN 55066
(800) 387-6146

Canada
260 Export Blvd.
Mississauga, Ontario
Canada L5S 1Y9
(800) 387-7484

SPECIFICATIONS:
Capacity: Personnel/Materials
maximum working load
350 LBS (159 Kg)
Materials: Aluminum and zinc
plated steel.
Standards: Meets
ANSI Z359.1-1992,
ANSI A10.14-1991,
ANSI Z117.1-1999, and
OSHA requirements.

MADE IN U.S.A. 9504195

**Specification Label
Models 8001717 and
8001718**

IMPORTANT
DO NOT TIGHTEN CLAMP
PLATE BOLTS TO MORE
THAN 1/2 FT-LB. OVER
TIGHTENING CAN DAMAGE
TRIPOD LEG.


**Overtighten
Label Model
1001190**

▲ WARNING

Manufacturer's instructions supplied with this product at time of shipment must be followed for proper use, maintenance, and inspection. Alteration or misuse of this product, or failure to follow instructions may result in serious injury or death. Make only compatible connections.

INSPECTION: Before each use inspect tripod to determine if it is in good condition and working properly. At least monthly, tripod should be inspected by a competent person in accordance with the User Manual. Do not use if inspection reveals an unsafe or defective condition. Not user repairable.

USE: To erect tripod, pull leg downward as shown and swing leg fully outward. Check to see that lock has engaged. To collapse, pull leg downward and swing leg in. Adjust tripod height and level tripod head by adjusting telescopic lower leg(s). Tripod must be generally level and on solid footing for safe use. Adjust tripod leg chains to remove excess slack. To prevent tipping, load must remain inside chain perimeter. If required (See user manual) connect backup fall arrest system to eye bolt located under tripod head. See user manual for details on making connections. Do not allow fall arrest, rescue, or personal riding systems to abrade against sharp edges during use. Use caution applying this equipment near hazardous thermal, electrical, or chemical sources. Refer to User manual for additional information.



**Warning Label
Models 8000000
and 8000010**


DBI
SALA®

USA
3965 Pepin Ave.
Red Wing, MN 55066
(800) 328-6146

Canada
260 Export Blvd.
Mississauga, Ontario
Canada, L5S 1Y9
(800) 387-7484

SPECIFICATIONS:
Capacity: Personnel/Materials
maximum working load
350 LBS (159 Kg)
Materials: Aluminum and zinc
plated steel.
Model: 8000000 (7 foot)
8000010 (9 foot)
Standards: Meets
ANSI Z359.1,
ANSI A10.14,
ANSI Z117.1, and
OSHA requirements.

The following Tripod models
are Classified by Underwriters
Laboratories Inc. as to load
capacity only.



UL
4177

Tripod Models:
8000000 (7 FT)
8000010 (9 FT)

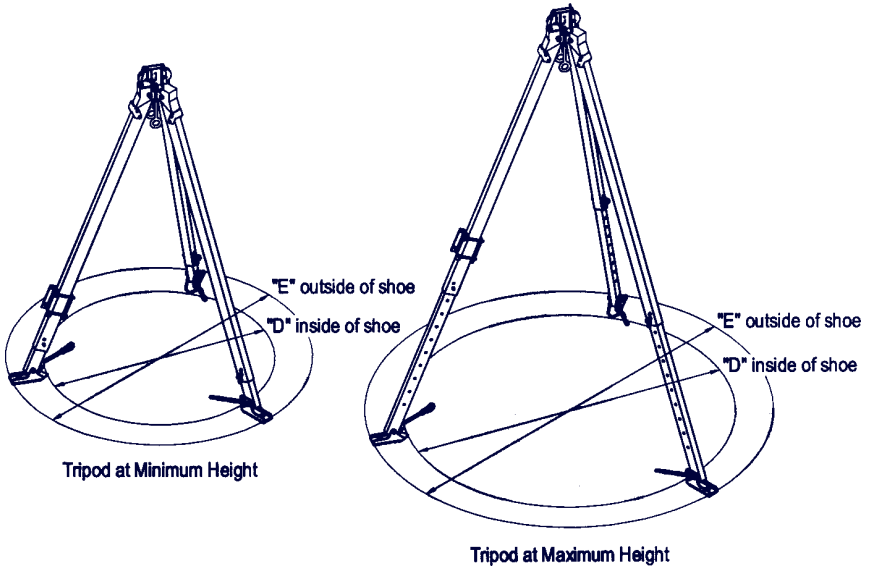
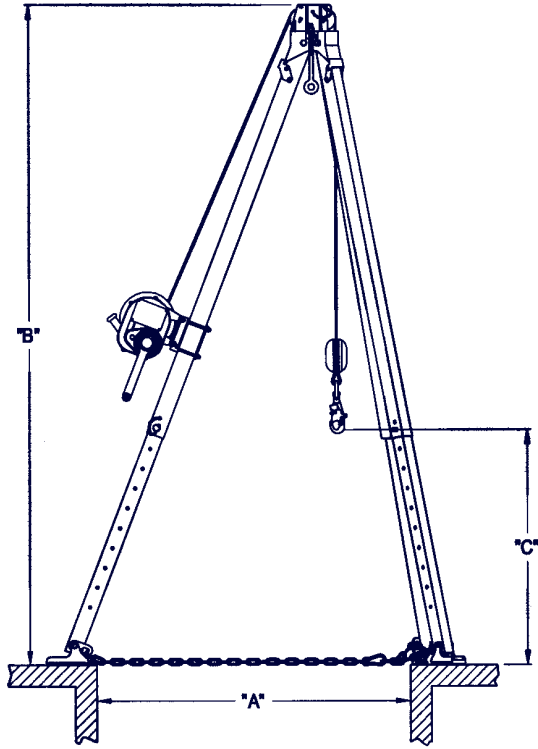
For use with D B Industries
UL Classified winch models:

8101000	8101002
8101004	8101006

MADE IN U.S.A.

**Specification
Label Models
8000000 and
8000010**

Figure 11



Geometric Requirements

9.0 INSPECION AND MAINTENANCE LOG

SERIAL NUMBER: _____

MODEL NUMBER: _____

DATE PURCHASED: _____

INSPECTION DATE	INSPECTION ITEMS NOTED	CORRECTIVE ACTION	MAINTENANCE PERFORMED
Approved By:			
Approved By:			
Approved By:			
Approved By:			
Approved By:			
Approved By:			
Approved By:			
Approved By:			
Approved By:			
Approved By:			
Approved By:			

WARRANTY

Equipment offered by DBI/SALA is warranted against factory defects in workmanship and materials for a period of two years from date of installation or use by the owner, provided that this period shall not exceed two years from date of shipment. Upon notice in writing, DBI/SALA will promptly repair or replace all defective items. DBI/SALA reserves the right to elect to have any defective item returned to its plant for inspection before making a repair or replacement. This warranty does not cover equipment damages resulting from abuse, damage in transit, or other damage beyond the control of DBI/SALA. This warranty applies only to the original purchaser and is the only one applicable to our products, and is in lieu of all other warranties, expressed or implied.



USA

3965 Pepin Avenue
Red Wing, MN 55066-1837
Toll Free: 800-328-6146
Phone: (651) 388-8282
Fax: (651) 388-5065
www.salagroup.com

Canada

260 Export Boulevard
Mississauga, Ontario L5S 1Y9
Toll Free: 800-387-7484
Phone: (905) 795-9333
Fax: (905) 795-8777

This instruction manual is available for download at www.salagroup.com.



Certificate No. FM 39709

From: 5902140
Rev : F